

Force and Torque Measurement Products



Catalog 23

MARK-10

Force and Torque Measurement Engineered Better

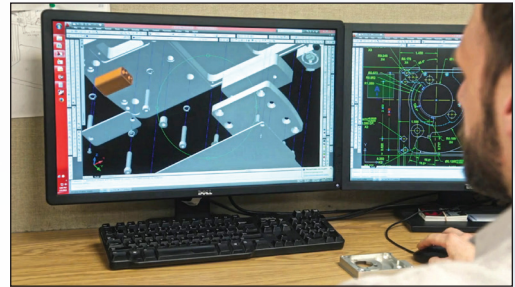


About Mark-10

Mark-10 Corporation is a designer and manufacturer of force and torque measurement products. Since our founding in 1979, our products have proven themselves in numerous applications at companies in the automotive, medical device, plastics, textile, pharmaceutical, packaging, food, and virtually every other industry, worldwide.

Focus On Engineering

Founded in 1979 as an engineering consultancy, and branching out into contract manufacturing in the 1980s, Mark-10 has focused on better engineering and technical expertise from our very beginning. Having acquired years of expertise in force measurement, we developed our first force gauge in 1990. Our product line has grown significantly since then, including indicators with remote sensors, manual and motorized test stands, a full range of grips and fixtures, along with software and accessories.



A Culture of Innovation

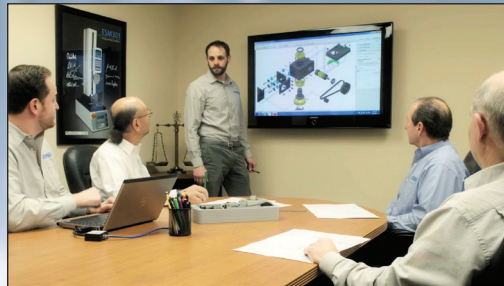
As an independent, family-run business, we are free to make decisions that best serve our customers' interests. Through frequent collaboration between Engineering, Manufacturing, Marketing, and Sales, we keep a pulse on the market, and address our customers' needs with products which are elegant, easy to use, and cost effective.



Integrated Manufacturing

Within the walls of our fully integrated Copiague, NY facility, a product often starts out as a chat over a cup of coffee. Utilizing the latest in CAD technology, CNC machining, and a talented team of technicians and assemblers, product ideas come to life. Technical support and customer service are just down the hallway. With our team under one roof, customer questions and feedback are addressed quickly and accurately.







Industries & Applications



Medical Device & Pharmaceutical

- Needle penetration force
- Tablet crush force
- Suture strength
- Packaging peel force
- Syringe plunger force
- Tubing connector pull-off force
- Dental and bone screw torque
- Tensile strength of orthodontic wire
- Stopcock torque
- Catheter torque
- Luer lock torque
- Adhesive strength of bandages



Automotive

- Switch activation force
- Ergonomics / job task analysis
- Rotary dial torque
- Torque tool calibration
- Seat belt retraction force
- Job task analysis
- Fastener torque testing
- Ignition switch torque measurement
- Turn signal stalk activation testing
- Wire terminal crimp pull testing
- Spring testing
- Bearing torque testing
- Coefficient of friction testing
- Windshield wiper arm force



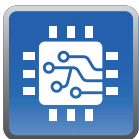
Springs

- Extension spring testing
- Compression spring testing
- Torsion spring testing



Aerospace

- Spring testing
- Wire terminal crimp pull testing
- Force and torque testing of dials and switches
- Passenger control button activation force
- Bearing torque testing
- Cable tension testing
- Tensile strength of materials



Electronics

- Switch force activation
- PCB bend testing
- Wire crimp pull testing
- Component pull-off testing
- Component shear testing
- Peel strength
- Keypad testing
- Connector insertion/withdrawal force





Packaging

- 90° peel testing of adhesive tapes
- T-peel tests of flexible packaging materials
- 180° peel testing
- Opening force testing
- Score bend testing
- Bottle cap torque testing
- Coefficient of friction testing
- Top-load testing of bottles and cartons
- Foil seal pull-off testing



Consumer Products & Sports Equipment

- Ski flex testing
- Goggle strap pull testing
- Tennis ball compression testing
- Lace break strength
- Elongation testing of elastomers, plastics, and other materials
- Peel testing of packaging materials
- Wire crimp pull testing
- Spring testing
- Dial torque testing
- Hinge torque testing
- Toy component pull-off testing
- Foam compression testing
- Switch activation force



Ergonomics & Job Task Analysis

- Pushing a wheelchair or cart
- Loading and unloading boxes
- Luggage / cargo handling
- Operating heavy machinery
- Muscle strength testing
- Fitness assessment
- Lifting boxes
- Pulling items from racks



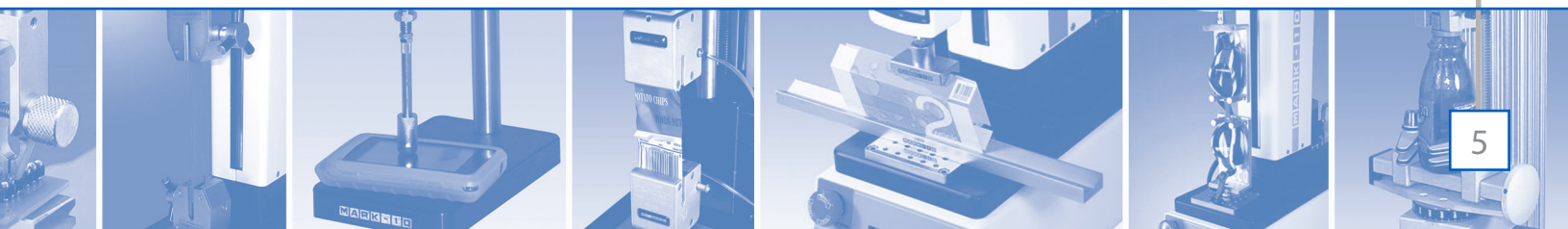
Food and Beverage

- Bottle cap torque testing
- Bottle cap pull-off force testing
- Food texture analysis
- Top load testing
- Burst testing
- Crush testing



General Manufacturing

- Spring testing
- Torque tool testing
- Push-out force testing
- Tensile testing
- Hinge torque testing
- Weld force testing
- Elongation testing
- Bearing torque testing





Welcome to Mark-10

Table of Contents

	Digital Force & Torque Gauges	7
	Plug & Test® Indicators & Remote Sensors	18
	Wire Crimp Pull Testers	24
	Ergonomics Gauges & Kits	26
	Software	28
	Test Stands	30
	Grips & Attachments	44
	Accessories	67
	Dimensional Drawings	71

Configuring a Typical Mark-10 System

Force Testing Systems

1 Test stand

Produces the force needed for the test. A test stand eliminates much of the variability inherent in hand-held testing with a force gauge. Motorized and manual models are available.

2 Digital force gauge

Measures the force being produced on the test sample. Choose from several gauge series. All Mark-10 gauges mount to Mark-10 test stands without the need for any extra adapters.

3 Test stand options

Numerous options are available to increase the functionality of test stands, including digital travel indication, PC control, cycling, extended speed ranges, and more.

4 Grips and attachments

Choose from a wide range of grips and attachments, many designed for specific tests such as peel testing, wire terminal testing, and more.



Torque Testing Systems

1 Test stand

Produces the torque needed for the test. A test stand eliminates much of the variability inherent in hand-held testing with a torque gauge. Motorized and manual models are available. Basic and advanced motorized models are available.

2 Torque indicator / gauge

Measures and displays the torque being produced on the test sample. Choose a force/torque indicator with Series R50 remote sensor, or the basic all-in-one TT03. Several torque capacities are available. All mount to Mark-10 torque test stands without the need for any extra adapters.

3 Grips and attachments

Choose from a selection of grips and attachments, designed for such applications as bottle cap torque testing, fastener torque testing, and more.



Digital Force & Torque Gauges



Series 7

Series 7 professional digital force gauges are designed with a number of sophisticated features for the most demanding tension and compression measurement applications, up to 500 lbF (2,500 N). The gauges feature $\pm 0.1\%$ accuracy and a blazingly fast, industry-leading sampling rate of 14,000 Hz, producing reliable results for extremely quick-action tests.

Features:

- **High speed data capture and storage**
Capture and store up to 5,000 continuous data points at a rate of up to 14,000 readings per second. This unique function is ideal for capturing switch activation forces, sharp breaks, and other short-duration applications.
- **Automatic data output / save / zero / I/O pin toggle**
Upon peak force detection. I/O pin toggle can stop a Mark-10 motorized test stand.
- **Programmable footswitch command string**
Up to 3 functions may be specified, along with delays between each function.
- **Custom unit**
A user-defined unit multiplier may be programmed for custom applications.
- **1st / 2nd peak detection**
For tensile testing and other applications.



Series 5

Series 5 premium digital force gauges feature a fast sampling rate of 7,000 Hz and $\pm 0.1\%$ accuracy. Additional advanced features such as averaging mode, external trigger mode, password protection, and data memory for 1,000 readings make this flexible gauge series ideal for a wide range of applications. Capacities up to 2,000 lbF [10,000 N].

Features:

- **Communication with external devices**
Full ASCII command set, allowing for communication with a PC, PLC, or other device through USB or RS-232. Mitutoyo and analog outputs also included.
- **Averaging / external trigger modes**
Addresses the need to record the average force over time, useful in applications such as peel testing, while external trigger mode makes switch activation testing simple and accurate.
- **Data memory**
1,000-point data memory with statistics (min, max, mean, standard deviation), and outputs.
- **Password protection**
Passwords may be set for calibration and for individual keys, designed to protect the gauge against unauthorized changes.



Digital Force & Torque Gauges



Series 5 COF

The M5-2-COF coefficient of friction (COF) gauge is an integral part of a COF testing system, typically including a motorized test stand and COF fixture. With a capacity of 2 lbF [10 N], the gauge can be used to measure friction for a wide range of materials, ideal for conformance to ASTM D1894 and other relevant standards. Static and kinetic coefficients are displayed on the backlit LCD, and are calculated from a user-programmable sled weight.

Features:

- **Programmable sled weight**
The COF is calculated based on the sled weight, adjustable from 100 to 1,000 g, to conform to various standards. A password can be set to protect settings from unauthorized changes.
- **Communication with external devices**
Full ASCII command set, allowing for communication with a PC, PLC, or other device through USB or RS-232. Mitutoyo and analog outputs also included.
- **Data memory**
1,000-point data memory with statistics (min, max, mean, standard deviation), and outputs.
- **Password protection**
Passwords may be set for calibration and for individual keys, designed to protect the gauge against unauthorized changes.



Series 4

Series 4 advanced digital force gauges feature a sampling rate of 3,000 Hz and $\pm 0.2\%$ accuracy, producing reliable, accurate results in a wide range of applications. Set point indicators with outputs are ideal for pass/fail testing, while an analog load bar provides graphical representation of applied load. Data memory for 50 readings is also provided, along with data communication capabilities.

Features:

- **Data outputs**
USB, RS-232, Mitutoyo, and analog outputs.
- **Data memory**
50-point data memory with statistics (min, max, mean, standard deviation), and outputs.
- **Set point indicators with outputs**
High, low, and in-range indicators and outputs are activated according to programmed upper and lower set points.
- **Analog load bar**
Provides visual representation of applied load, and helps provide feedback for an imminent overload condition.

Digital Force & Torque Gauges



Series 3

Series 3 basic digital force gauges feature a sampling rate of 2,000 Hz and $\pm 0.3\%$ accuracy, ideal for numerous applications in virtually every industry. Set point indicators are useful for visual pass/fail testing, while an analog load bar provides graphical representation of applied load. Ultra-compact, reversible housing allows for flexibility in many mounting configurations with space constraints.

Features:

- **USB data output**
Continuous or individual readings may be output to a PC through included USB output.
- **Set point indicators**
High, low, and in-range indicators are displayed according to programmed upper and lower set points.
- **Analog load bar**
Provides visual representation of applied load, and helps provide feedback for an imminent overload condition.
- **Ultra-compact design**
Allows for flexibility in many mounting configurations. Reversible housing allows for hand-held use or test stand mounting.



Series 2

Series 2 digital force gauges are designed for basic tension and compression force testing applications up to 500 lbF (2,500 N). Peak tension and compression readings are reliably captured via the gauges' $\pm 0.5\%$ accuracy and 500 Hz sampling rate. A backlit graphic LCD displays the current, peak tension, or peak compression reading. Features an ultra-compact, reversible housing.

Features:

- **Peak capture**
For compression and tension measurements.
- **Selectable units of measurement**
Select lbF, kgF, or N.
- **Battery or AC powered**
Powered by a rechargeable battery or AC adapter.
- **Ultra-compact design**
Allows for flexibility in many mounting configurations. Reversible housing allows for hand-held use or test stand mounting.



Digital Force & Torque Gauges



Series TT01

Series TT01 cap torque testers provide closure manufacturers, bottlers, and food and beverage companies an accurate and simple way to measure application and removal torques. Adjustable posts grip a broad range of container shapes and sizes, while sets of optional jaws are available as an alternative gripping methods. Peak torque readings are always shown on the large, backlit graphic display.

Features:

- **USB, RS-232, Mitutoyo, and analog outputs**
- **Data memory**
1,000-point data memory with statistics (min, max, mean, standard deviation), and outputs.
- **Set point indicators with outputs**
Convenient for pass/fail testing.
- **Automatic data output / save / zero**
Upon peak torque detection.
- **1st / 2nd peak detection**
For slip and breakaway torques in tamper-evident closures.



Series TT02

Series TT02 Torque Tool Testers present a simple yet accurate solution for testing torque screwdrivers, wrenches, and other tools. The TT02 features a solid aluminum housing, making it rugged enough for many years of service in production or laboratory use, while a universal receptacle with square drive and grooves accepts common bits and attachments. 1st / 2nd peak detection is provided for click-type tools.

Features:

- **USB, RS-232, Mitutoyo, and analog outputs**
- **Data memory**
1,000-point data memory with statistics (min, max, mean, standard deviation), and outputs.
- **Set point indicators with outputs**
Convenient for pass/fail testing.
- **Automatic data output / save / zero**
Upon peak torque detection.
- **1st / 2nd peak detection**
For slip and breakaway torques in tamper-evident closures.

Digital Force & Torque Gauges



Series TT03

Series TT03 digital torque gauges are designed for clockwise and counter-clockwise torque testing applications in virtually every industry, with capacities from 10 ozFin to 100 lbFin (7 to 1,150 Ncm). A dedicated remote torque sensor with Jacobs chuck can be used to grip a sample, bit, or fixture. The gauges' rugged aluminum housing allows for hand-held use or test stand mounting for more sophisticated testing requirements.

Features:

- **Rugged, compact design**
Indicator and remote sensor with Jacobs chuck. Can be hand-held or mounted to a test stand.
- **USB data output**
Continuous or individual readings may be output to a PC through included USB output.
- **Set point indicators**
High, low, and in-range indicators are displayed according to programmed upper and lower set points.
- **Analog load bar**
Provides visual representation of applied load, and helps provide feedback for an imminent overload condition.



Series TT05

Series TT05 universal torque testers can be used for a range of applications up to 100 lbFin [11.5 Nm]. The stainless steel loading surface features a matrix of threaded holes, ideal for accommodating specialized fixtures and attachments. The testers' rugged design and simple, intuitive operation allow for use in laboratory and production environments. Technical specifications and functionality are the same as with Series TT01.

Features:

- **Stainless steel loading plate with threaded holes**
Accommodates specialized fixtures and attachments.
- **USB, RS-232, Mitutoyo, and analog outputs**
- **Data memory**
1,000-point data memory with statistics (min, max, mean, standard deviation), and outputs.
- **Set point indicators with outputs**
Convenient for pass/fail testing.
- **Automatic data output / save / zero**
Upon peak torque detection.



Digital Force & Torque Gauges

Specifications - Force Gauges



Series 7
Professional



Series 5
Advanced



Series 4
Performance

Accuracy (% of full scale)	±0.1%		±0.2%
Sampling rate	14,000 Hz	7,000 Hz	3,000 Hz
Resolution	1/5,000		1/2,000
Outputs	USB, RS-232, Mitutoyo, Analog		
RS-232	Configurable up to 230,400 baud		Configurable up to 115,200 baud
USB	Configurable up to 230,400 baud		Configurable up to 115,200 baud
Mitutoyo (Digimatic)	Serial BCD suitable for all Mitutoyo SPC-compatible devices		
Analog	±1 VDC, ±0.25% FS at capacity. Positive for compression, negative for tension		
General purpose I/O	Three open drain outputs, one input		
Set point	Three open drain lines		
MESUR[®] Lite software included	Yes		
Data output functionality	Automatic output or by pressing DATA button, or requesting from a PC or other device.		By pressing DATA button, or requesting from a PC or other device (currently displayed reading only).
ASCII command set for external control	Full command set		"?" only (request current reading)
Interface w/MESUR[®] gauge and MESUR[®] Lite	Full communication		Single point or continuous data output only
Interface with ESM303 / 750 / 1500 test stands	Full communication, including PC control		Limited to force data, overload protection, and force set points
Data memory	5,000 readings, with output	1,000 readings, with output	50 readings, with output
Data memory deletion	Any individual data point, or clear all		
Statistic calculations and output to PC	Max, min, mean, std. dev., number of readings, with output		
Break detection	Yes*	No	
1st / 2nd peak detection	Yes*	No	
Programmable footswitch command string	Yes	No	
Averaging mode	Yes*	Yes	No
External trigger mode	Yes**	Yes	No
Analog load bar graph shown on display	Yes		
Set points (for pass / fail indication)	Yes with high / low indicators, markers on analog bar graph, and outputs		
Password protection	Yes, for calibration and individual keys		No
Peak readings always displayed	Yes		
Programmable audible tones	Yes		
Calibration procedure	Configurable number of data points (up to 10 in each direction)		
Overload outputs	Dedicated pins for tension and compression		
Battery life	Rechargeable. Backlight on: up to 7 hours of continuous use / Backlight off: up to 24 hours of continuous use		
Units of measurement	lbF, ozF, gF, kgF, N, kN, mN (depending on model)		
Safe overload	150% of full scale (display shows warning at 110% and above)		
Weight (lb [kg])	M7-012 - M7-100: 1.0 [0.45] M7-200 - M7-500: 1.2 [0.54]	M5-012 - M5-100: 1.0 [0.45] M5-200 - M5-500: 1.2 [0.54] M5-750 - M5-2000: 1.8 [0.82]	M4-012 - M4-100: 1.0 [0.45] M4-200 - M4-500: 1.2 [0.54]
Included items	Carrying case, chisel, cone, V-groove, hook, flat, extension rod, universal voltage AC adapter/charger, rechargeable battery, quick-start guide, USB cable, resource CD (USB driver, MESUR Lite software, MESURgauge software 90-day trial, and user's guide), NIST-traceable certificate of calibration with data		

* With configurable automatic data output, data storage, and zero function upon event completion. Can also stop travel of certain motorized test stands.

** Can stop certain motorized test stands upon event completion.

Digital Force & Torque Gauges



Series 3
Basic



Series 2
Economical

		Accuracy (% of full scale)
±0.3%	±0.5%	Accuracy (% of full scale)
2,000 Hz	500 Hz	Sampling rate
1/1,000		Resolution
USB	No	Outputs
No	N/A	RS-232
Configurable up to 115,200 baud	N/A	USB
No	N/A	Mitutoyo (Digimatic)
No	N/A	Analog
No	N/A	General purpose I/O
No	N/A	Set point
Yes	N/A	MESUR [®] Lite software included
By pressing DATA button, or requesting from a PC or other device (currently displayed reading only)	N/A	Data output functionality
"?" only (request current reading)	N/A	ASCII command set for external control
Single point or continuous data output only	N/A	Interface w/MESUR [®] gauge and MESUR [®] Lite
No	N/A	Interface with ESM303 / 750 / 1500 test stands
No		Data memory
N/A		Data memory deletion
N/A		Statistic calculations and output to PC
No		Break detection
No		1st / 2nd peak detection
No		Programmable footswitch command string
No	N/A	Averaging mode
No	No	External trigger mode
Yes	No	Analog load bar graph shown on display
Yes with high/low indicators, markers on analog bar graph, no output	No	Set points (for pass / fail indication)
No		Password protection
Yes	No (Peak mode must be selected)	Peak readings always displayed
Yes	No	Programmable audible tones
Configurable number of data points (up to 10 in each direction)		Calibration procedure
No	N/A	Overload outputs
Rechargeable. Backlight on: up to 7 hours of continuous use / Backlight off: up to 24 hours of continuous use		Battery life
lbF, gF, kgF, N (depending on model)	lbF, kgF, N	Units of measurement
150% of full scale (display shows warning at 110% and above)		Safe overload
M3-012 - M3-100: 0.7 [0.33] M3-200 - M3-500: 0.9 [0.41]	M2-2 - M2-100: 0.7 [0.33] M2-200 - M2-500: 0.9 [0.41]	Weight (lb [kg])
Carrying case, chisel, cone, V-groove, hook, flat, extension rod, universal voltage AC adapter/charger, rechargeable battery, quick-start guide, USB cable, resource CD (USB driver, MESUR Lite software, MESURgauge software 90-day trial, and user's guide), NIST-traceable certificate of calibration without data.	Rechargeable battery, quick-start guide, resource CD, certificate of conformance	Included items



Digital Force & Torque Gauges

Specifications - Torque Gauges and Indicators



	TT01	TT05	TT02	TT03
Accuracy (% of full scale)	±0.3%	±0.3%	±0.3%	±0.5%
Password protection	Yes			No
Sampling rate	7,000 Hz			2,000 Hz
Resolution	1/1,000			
Outputs	USB, RS-232 Mitutoyo, Analog			USB
USB / RS-232	Configurable up to 115,200 baud			
Mitutoyo (Digimatic)	Serial BCD suitable for all Mitutoyo SPC-compatible devices			N/A
Analog	±1 VDC, ±0.25% FS. + for compression / CW, - for tension / CCW			N/A
General purpose I/O	Three open drain outputs, one input			N/A
Set point	Yes, three open drain lines			No
MESUR [®] Lite software included	Yes			
Communication with MESUR [®] gauge and MESUR [®] Lite software	Single point or continuous data, send from gauge or request from software			
Data memory	1,000 readings, with output			No
Data memory deletion	Individual data points, or clear all			N/A
Statistics calculations	Max, min, mean, std. dev., number of readings, with output			N/A
Analog load bar graph shown on display	Yes			
Keypad password protection	Yes, for calibration and keys			No
Peak readings calculated	Yes			
Break detection*	Yes			No
1st / 2nd peak detection*	Yes			No
Programmable audible tones	Yes			
No. of units of measurement	5			3
Battery life (with backlight on/off)	Backlight on: up to 7 hours of continuous use, Backlight off: up to 24 hours of continuous use			
Safe overload	150% of full scale (display shows "OVER" at 110% and above)			
Weight (lb [kg])	8.4 [3.8]	10.9 [4.9]	5.8 [2.6]	1.8 [0.8]
Included items	1/4" hex to 3/8" square adapter (TT02 Only), Carrying Case (TT03 only) Universal voltage AC adapter, battery, quick-start guide, resource CD (USB driver, MESUR [®] Lite software, MESUR [®] gauge DEMO software, and user's guide), and certificate of calibration.			

* With configurable automatic data output, data storage, and zero function upon detection of peak value(s).

Digital Force & Torque Gauges



Ordering Information - Force Gauges

Model No.	Capacity x Resolution							
	lbF	ozF	kgF	gF	N	kN	mN	
M7	M7-012	0.12 x 0.00002	2 x 0.0005	-	50 x 0.01	0.5 x 0.0001	-	500 x 0.1
	M7-025	0.25 x 0.00005	4 x 0.001	-	100 x 0.02	1 x 0.0002	-	1000 x 0.2
	M7-05	0.5 x 0.0001	8 x 0.002	-	250 x 0.05	2.5 x 0.0005	-	2500 x 0.5
	M7-2	2 x 0.0005	32 x 0.01	1 x 0.0002	1000 x 0.2	10 x 0.002	-	-
	M7-5	5 x 0.001	80 x 0.02	2.5 x 0.0005	2500 x 0.5	25 x 0.005	-	-
	M7-10	10 x 0.002	160 x 0.05	5 x 0.001	5000 x 1	50 x 0.01	-	-
	M7-20	20 x 0.005	320 x 0.1	10 x 0.002	10000 x 2	100 x 0.02	-	-
	M7-50	50 x 0.01	800 x 0.2	25 x 0.005	25000 x 5	250 x 0.05	-	-
	M7-100	100 x 0.02	1600 x 0.5	50 x 0.01	50000 x 10	500 x 0.1	-	-
	M7-200	200 x 0.05	3200 x 1	100 x 0.02	-	1000 x 0.2	1 x 0.0002	-
	M7-500	500 x 0.1	8000 x 2	250 x 0.05	-	2500 x 0.5	2.5 x 0.0005	-
M5	M5-012	0.12 x 0.00002	2 x 0.0005	-	50 x 0.01	0.5 x 0.0001	-	500 x 0.1
	M5-025	0.25 x 0.00005	4 x 0.001	-	100 x 0.02	1 x 0.0002	-	1000 x 0.2
	M5-05	0.5 x 0.0001	8 x 0.002	-	250 x 0.05	2.5 x 0.0005	-	2500 x 0.5
	M5-2	2 x 0.0005	32 x 0.01	1 x 0.0002	1000 x 0.2	10 x 0.002	-	-
	M5-5	5 x 0.001	80 x 0.02	2.5 x 0.0005	2500 x 0.5	25 x 0.005	-	-
	M5-10	10 x 0.002	160 x 0.05	5 x 0.001	5000 x 1	50 x 0.01	-	-
	M5-20	20 x 0.005	320 x 0.1	10 x 0.002	10000 x 2	100 x 0.02	-	-
	M5-50	50 x 0.01	800 x 0.2	25 x 0.005	25000 x 5	250 x 0.05	-	-
	M5-100	100 x 0.02	1600 x 0.5	50 x 0.01	50000 x 10	500 x 0.1	-	-
	M5-200	200 x 0.05	3200 x 1	100 x 0.02	-	1000 x 0.2	1 x 0.0002	-
	M5-300	300 x 0.1	4800 x 2	150 x 0.05	-	1500 x 0.5	1.5 x 0.0005	-
	M5-500	500 x 0.1	8000 x 2	250 x 0.2	-	2500 x 0.5	2.5 x 0.0005	-
	M5-750	750 x 0.5	12000 x 10	375 x 0.2	-	3750 x 2	3.75 x 0.002	-
	M5-1000	1000 x 0.5	16000 x 5	500 x 0.2	-	5000 x 2	5 x 0.002	-
	M5-1500	1500 x 1	24000 x 20	750 x 0.5	-	7500 x 5	7.5 x 0.005	-
M5-2000	2000 x 1	32000 x 20	1000 x 0.5	-	10000 x 5	10 x 0.005	-	
M4	M4-012	0.12 x 0.00005	2 x 0.001	-	50 x 0.02	0.5 x 0.0002	-	500 x 0.2
	M4-025	0.25 x 0.0001	4 x 0.002	-	100 x 0.05	1 x 0.0005	-	1000 x 0.5
	M4-05	0.5 x 0.0002	8 x 0.005	-	250 x 0.1	2.5 x 0.001	-	2500 x 1
	M4-2	2 x 0.001	32 x 0.02	1 x 0.0005	1000 x 0.5	10 x 0.005	-	-
	M4-5	5 x 0.002	80 x 0.05	2.5 x 0.001	2500 x 1	25 x 0.01	-	-
	M4-10	10 x 0.005	160 x 0.1	5 x 0.002	5000 x 2	50 x 0.02	-	-
	M4-20	20 x 0.01	320 x 0.2	10 x 0.005	10000 x 5	100 x 0.05	-	-
	M4-50	50 x 0.02	800 x 0.5	25 x 0.01	25000 x 10	250 x 0.1	-	-
	M4-100	100 x 0.05	1600 x 1	50 x 0.02	50000 x 20	500 x 0.2	-	-
	M4-200	200 x 0.1	3200 x 2	100 x 0.05	-	1000 x 0.5	1 x 0.0005	-
	M4-500	500 x 0.2	8000 x 5	250 x 0.1	-	2500 x 1	2.5 x 0.001	-



All models include 110V AC adapters
 Add suffix 'E' for euro plug (220V), 'U' for UK plug (220V) or 'A' for Australian plug (220V)
 Example: M7-05E, M5-100U, M4-500A



Digital Force & Torque Gauges

Capacity x Resolution - Force Gauges

Model No.	Capacity x Resolution				
	lbF	kgF	gF	N	
M3	M3-012	0.12 x 0.0001	-	50 x 0.05	0.5 x 0.0005
	M3-025	0.25 x 0.0002	-	100 x 0.1	1 x 0.001
	M3-05	0.5 x 0.0005	-	250 x 0.2	2.5 x 0.002
	M3-2	2 x 0.002	1 x 0.001	-	10 x 0.01
	M3-5	5 x 0.005	2.5 x 0.002	-	25 x 0.02
	M3-10	10 x 0.01	5 x 0.005	-	50 x 0.05
	M3-20	20 x 0.02	10 x 0.01	-	100 x 0.1
	M3-50	50 x 0.05	25 x 0.02	-	250 x 0.2
	M3-100	100 x 0.1	50 x 0.05	-	500 x 0.5
	M3-200	200 x 0.2	100 x 0.1	-	1000 x 1
	M3-500	500 x 0.5	250 x 0.2	-	2500 x 2
M2	M2-2	2 x 0.002	1 x 0.001	-	10 x 0.01
	M2-5	5 x 0.005	2.5 x 0.002	-	25 x 0.02
	M2-10	10 x 0.01	5 x 0.005	-	50 x 0.05
	M2-20	20 x 0.02	10 x 0.01	-	100 x 0.1
	M2-50	50 x 0.05	25 x 0.02	-	250 x 0.2
	M2-100	100 x 0.1	50 x 0.05	-	500 x 0.5
	M2-200	200 x 0.2	100 x 0.1	-	1000 x 1
	M2-500	500 x 0.5	250 x 0.2	-	2500 x 2



All models include 110V AC adapters

Add suffix 'E' for euro plug (220V), 'U' for UK plug (220V) or 'A' for Australian plug (220V)

Example: M3-05E, M3-20U, M2-100A

Digital Force & Torque Gauges



Capacity x Resolution - Torque Gauges

Model No.		Capacity x Resolution					
		ozFin	lbFin	kgFcm	kgFmm	Ncm	Nm
TT01	MTT01-12	192 x 0.1	12 x 0.005	14 x 0.01	-	135 x 0.1	1.35 x 0.001
	MTT01-25	400 x 0.2	25 x 0.01	28 x 0.02	-	290 x 0.2	2.9 x 0.002
	MTT01-50	800 x 0.5	50 x 0.02	58 x 0.05	-	570 x 0.5	5.7 x 0.005
	MTT01-100	1600 x 1	100 x 0.05	116 x 0.1	-	1150 x 1	11.5 x 0.01
TT02	MTT02-12	192 x 0.1	12 x 0.005	14 x 0.01	-	135 x 0.1	1.35 x 0.001
	MTT02-25	400 x 0.2	25 x 0.01	28 x 0.02	-	290 x 0.2	2.9 x 0.002
	MTT02-50	800 x 0.5	50 x 0.02	58 x 0.05	-	570 x 0.5	5.7 x 0.005
	MTT02-100	1600 x 1	100 x 0.05	116 x 0.1	-	1150 x 1	11.5 x 0.01
TT03	MTT03-10Z	10 x 0.01	-	-	7 x 0.005	7 x 0.005	-
	MTT03-20Z	20 x 0.02	-	-	14 x 0.01	14 x 0.01	-
	MTT03-50Z	50 x 0.05	-	-	36 x 0.05	36 x 0.05	-
	MTT03-12	192 x 0.2	12 x 0.01	-	-	135 x 0.1	-
	MTT03-50	800 x 1	50 x 0.05	-	-	570 x 0.5	-
	MTT03-100	1600 x 2	100 x 0.1	-	-	1150 x 1	-
TT05	MTT05-12	192 x 0.1	12 x 0.005	14 x 0.01	-	135 x 0.1	1.35 x 0.001
	MTT05-25	400 x 0.2	25 x 0.01	28 x 0.02	-	290 x 0.2	2.9 x 0.002
	MTT05-50	800 x 0.5	50 x 0.02	58 x 0.05	-	570 x 0.5	5.7 x 0.005
	MTT05-100	1600 x 1	100 x 0.05	58 x 0.05	-	1150 x 1	11.5 x 0.01



All models include 110V AC adapters

Add suffix 'E' for euro plug (220V), 'U' for UK plug (220V) or 'A' for Australian plug (220V)

Example: MTT01-50E, MTT02-100U, MTT03-50ZA



Plug & Test® Indicators & Sensors

Measure force and torque with interchangeable indicators and remote sensors

Models M7I, M5I, and M3I force / torque indicators are designed for use with Mark-10's Plug & Test® remote force and torque sensors. All calibration and configuration data is saved within the sensors' smart connectors - not the indicator - allowing for true interchangeability. Each sensor series is available in a range of capacities, from 0.25 to 10,000 lbF (1 N to 50 kN) full scale and from 10 ozFin to 5,000 lbFin (7 Ncm to 550 Nm) full scale. Sensor details are provided on the following pages.





Torque Sensors

1 Series R50

Universal torque sensors, fixed chuck

Measure bidirectional torque for a wide variety of applications. Contain a chuck for up to 1/2" diameter samples. Sensors can be used as hand held devices, or mounted to a torque test stand. Capacities available from 10 ozFin to 100 lbFin [7 to 1,150 Ncm].

2 Series R51

Universal torque sensors, interchangeable chucks

A great solution for general bidirectional torque testing applications with several different sample sizes. Three interchangeable chuck capacities and bit holder are available. The R51 has super overload protection and is available in capacities from 10 ozFin to 100 lbFin [7 to 1,150 Ncm].

3 Series R55

Wrench extension torque sensors

Convert any wrench to a torque tool with this sensor series, or use it as a component of a torque testing system. Capacities available from 20 to 5,000 lbFin [220 Ncm to 550 Nm].

4 Series R52

Static torque sensors

Calibrate torque tools with these sensors, or use them as components of a torque testing system. Tapped holes on every surface allow for easy mounting to a work bench or fixture. Capacities available from 10 ozFin to 100 lbFin [7 to 1,150 Ncm].

Force Sensors

5 Series R01

Tension / compression sensors

Rugged sensor series for measuring tensile and compressive force of up to 10,000 lbF [50 kN]. Durable S-beam design with thread on two sides.

6 Series R03

Inline tension / compression sensors

Measure tensile and compressive loads for a wide variety of applications, available in capacities from 0.25 lbF to 100 lbF [1 to 500 N]. Thread on two sides can accept a variety of hooks and implements, making this sensor series particularly well suited for inline tests.

7 Series R04

Miniature tension / compression sensors

Extremely compact force measurement sensors for tensile and compressive loads in applications with limited space. Capacities available from 0.25 lbF to 100 lbF. [1 to 500 N] The sensors include threaded holes on two sides for the mounting of attachments.

8 Series R02

Compact compression sensors

Button type sensors for compressive loads of up to 10,000 lbF [50 kN]. Compact, rugged, and ideal for heavy duty applications with space constraints.

9 Series R05

Pull / tension sensor

Fully enclosed force sensor for tension and compression testing. Useful in ergonomics testing, workplace safety testing, and general lifting or push/pull requirements. For up to 500 lbF [2,500 N] of force.

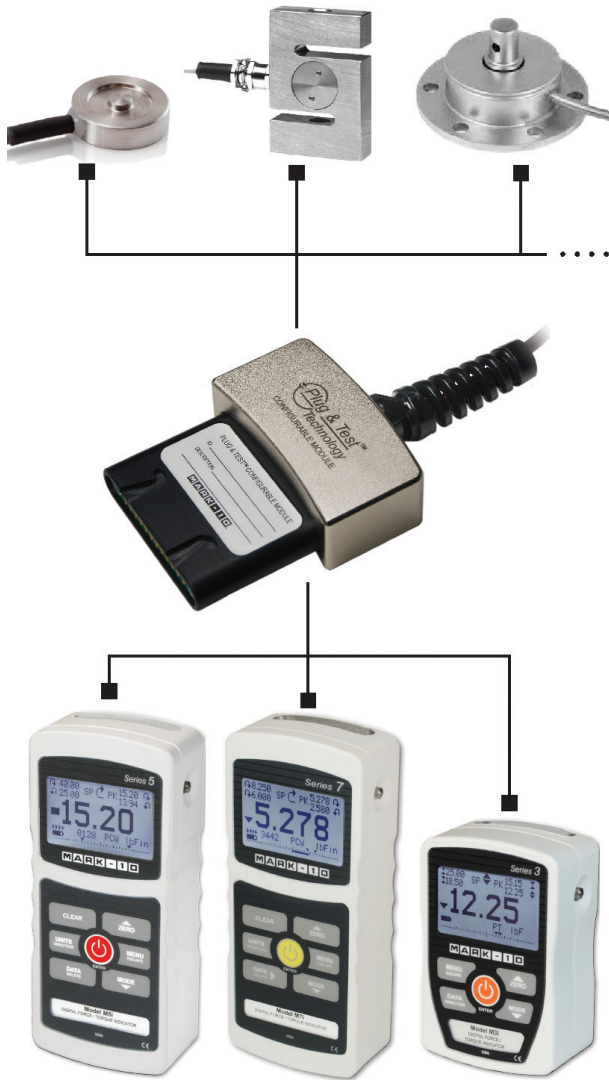
10 Series R06

Wire crimp pull sensor

Hand-operated solution for wire crimp pull-off force measurement. Ergonomic handles and convenient tensioning mechanism ideal for field measurements up to 200 lbF [1 kN].



Plug & Test[®] Adapter Model PTA



Model PTA

Connect common strain gage-based load cells, force sensors, and torque sensors to Models 7i, 5i and 3i indicators with this user-configurable adapter and software.

Sensor capacity and resolutions may be programmed via an included software utility, which includes a library of common force capacities from 0.12 to 750,000 lbF (0.5 N to 4,000 kN), and torque capacities from 10 ozF in to 40,000 lbF ft (7 Ncm to 57,000 Nm).

An identification number may be programmed, which is displayed upon indicator power-up or the indicator's Information screen. Through Plug & Test[®] technology, all configuration and calibration information is saved within the adapter. This flexibility allows for interchangeability between multiple sensors with any Mark-10 indicator.

Features:

- Compatible with strain gage-based load cells, force sensors, and torque sensors
- Screw terminal block allows for easy connection of sensor wires
- Software configuration utility is included, for easy programming of sensor capacity, resolution, and identification number
- Program the adapter via USB or RS-232 through the indicator
- Mounting holes for bench mounting

Sensor Requirements:

Type: Full bridge
Resistance: 300 - 1,000 ohms
Sensitivity: 1-3 mV/V

Ordering Information

Model No.	Description
PTA	Plug and Test [®] adapter

Plug & Test® Indicators & Sensors



Specifications - Force and Torque Indicators



Model 7i
Professional



Model 5i
Advanced



Model 3i
Basic

Accuracy (% of full scale)	±0.1 + sensor		±0.2% + sensor
Sensor password protection	Yes		No
Sampling rate	14,000 Hz	7,000 Hz	2,000 Hz
Resolution	1/2,000 or 1/1,000, depending on sensor		1/1,000
Outputs	USB, RS-232, Mitutoyo, Analog		USB
RS-232	Configurable up to 230,400 baud	Configurable up to 115,200 baud	No
USB	Configurable up to 230,400 baud	Configurable up to 115,200 baud	
Mitutoyo (Digimatic)	Serial BCD suitable for all Mitutoyo SPC-compatible devices		No
Analog	±1 VDC, ±2% FS. + for compression / CW, - for tension / CCW		No
General purpose I/O	Three open drain outputs, one input		No
Set point	Three open drain lines		No
MESUR® Lite software included	Yes		
Data output functionality	Automatic output or by pressing DATA button, or requesting from a PC or other device		By pressing DATA button, or requesting from a PC or other device (currently displayed reading only)
ASCII command set for external control	Full command set		"?" only (request current reading)
Communication with MESUR® gauge and MESUR® Lite software	Full communication		Send single reading from gauge only, cannot request from software
Communication with ESM301 test stand and Series DC test stand controllers	Full communication, including PC control		No
Data memory	5,000 readings, with output	1,000 readings, with output	No
Data memory deletion	Individual data points, or clear all		N/A
Statistics calculations and output to PC	Max, min, mean, std. dev., number of readings, with output		No
Break detection	Yes*	No	
1st / 2nd peak detection	Yes*	No	
Programmable footswitch command string	Yes*	No	
Averaging mode	Yes*	Yes	No
External trigger mode	Yes**	Yes	No
Analog load bar graph shown on display	Yes		
Set points (for pass/fail indication)	Yes, with high/low indicators		
Keypad password protection	Yes, for calibration and keys		No
Peak readings always displayed	Yes		
Programmable audible tones	Yes		
Calibration procedure	Configurable number of data points (up to 10 in each direction)		
Overload outputs	Dedicated pins for tension and compression		No
No. of units of measurement	5		3
Battery life (with backlight on/off)	Up to 7 hours of continuous use / Up to 24 hours of continuous use		
Weight	0.7 lb [0.3 kg]		
Included items	Carrying case, universal voltage AC adapter, battery, quick-start guide, USB cable, resource CD (USB driver, MESUR® Lite software, MESUR® gauge DEMO software, and user's guide), and certificate of conformance.		

* With configurable automatic data output, data storage, and zero function upon event completion. Can also stop travel of certain motorized test stands.

** Can stop travel of certain motorized test stands upon event completion.



Plug & Test[®] Indicators & Sensors

Specifications

Model No.	Description
M7I	Professional force / torque indicator, 110V
M5I	Advanced force / torque indicator, 110V
M3I	Basic force / torque indicator, 110V

All models include 110V AC adapters. Add suffix 'E' for euro plug (220V), 'U' for UK plug (220V), or 'A' for Australian plug (220V).

Example: M5-50E, M5-200U, M5-1000A

Model No.	Capacity x Resolution - with Model 7i & 5i indicators						Capacity x Resolution - with Model 3i indicator				Accuracy* (±% FS)	Safe Overload	
	lbF	ozF	gF	kgF	N	kN	lbF	kgF	N	kN			
R01**	MR01-50	50 x 0.02	800 x 0.5	25000 x 10	25 x 0.01	250 x 0.1	-	50 x 0.05	25 x 0.02	250 x 0.2	-	0.15%	150%
	MR01-100	100 x 0.05	1600 x 1	50000 x 20	50 x 0.02	500 x 0.2	-	100 x 0.1	50 x 0.05	500 x 0.5	-		
	MR01-200	200 x 0.1	3200 x 2	-	100 x 0.05	1000 x 0.5	1 x 0.0005	200 x 0.2	100 x 0.1	1000 x 1	-		
	MR01-300	300 x 0.2	4800 x 5	-	150 x 0.1	1500 x 1	1.5 x 0.001	300 x 0.5	150 x 0.2	1500 x 2	-		
	MR01-500	500 x 0.2	8000 x 5	-	250 x 0.1	2500 x 1	2.5 x 0.001	500 x 0.5	250 x 0.2	2500 x 2	-		
	MR01-1000	1000 x 0.5	16000 x 10	-	500 x 0.2	5000 x 2	5 x 0.002	1000 x 1	500 x 0.5	5000 x 5	-		
	MR01-1500	1500 x 1	24000 x 20	-	750 x 0.5	7500 x 5	7.5 x 0.005	1500 x 2	750 x 1	7500 x 10	-		
	MR01-2000	2000 x 1	32000 x 20	-	1000 x 0.5	10000 x 5	10 x 0.005	2000 x 2	1000 x 1	10000 x 10	-		
	MR01-5000	5000 x 2	-	-	2500 x 1	25000 x 10	25 x 0.01	5000 x 5	2500 x 2	-	25 x 0.02		
MR01-10000	10000 x 5	-	-	5000 x 2	50000 x 25	50 x 0.02	10000 x 10	5000 x 5	-	50 x 0.05			
R02	MR02-100	100 x 0.05	1600 x 1	50000 x 20	50 x 0.02	500 x 0.2	-	100 x 0.1	50 x 0.05	500 x 0.5	-	0.5%	150%
	MR02-200	200 x 0.1	3200 x 2	-	100 x 0.05	1000 x 0.5	1 x 0.0005	200 x 0.2	100 x 0.1	1000 x 1	-		
	MR02-500	500 x 0.2	8000 x 5	-	250 x 0.1	2500 x 1	2.5 x 0.001	500 x 0.5	250 x 0.2	2500 x 2	-		
	MR02-1000	1000 x 0.5	16000 x 10	-	500 x 0.2	5000 x 2	5 x 0.002	1000 x 1	500 x 0.5	5000 x 5	-		
	MR02-2000	2000 x 1	32000 x 20	-	1000 x 0.5	10000 x 5	10 x 0.005	2000 x 2	1000 x 1	10000 x 10	-		
	MR02-5000	5000 x 2	-	-	2500 x 1	25000 x 10	25 x 0.01	5000 x 5	2500 x 2	-	25 x 0.02		
MR02-10000	10000 x 5	-	-	5000 x 2	50000 x 25	50 x 0.02	10000 x 10	5000 x 5	-	50 x 0.05			
R03**	MR03-025	0.25 x 0.0001	4 x 0.002	100 x 0.05	-	1 x 0.0005	1000 x 0.5 mN	0.25 x 0.0002	100 x 0.1 gF	1 x 0.001	-	0.15%	200%
	MR03-05	0.5 x 0.0002	8 x 0.005	250 x 0.1	-	2.5 x 0.001	2500 x 1 mN	0.5 x 0.0005	250 x 0.2 gF	2.5 x 0.002	-		
	MR03-2	2 x 0.001	32 x 0.02	1000 x 0.5	1 x 0.0005	10 x 0.005	-	2 x 0.002	1 x 0.001	10 x 0.01	-		
	MR03-5	5 x 0.002	80 x 0.05	2500 x 1	2.5 x 0.001	25 x 0.01	-	5 x 0.005	2.5 x 0.002	25 x 0.02	-		
	MR03-10	10 x 0.005	160 x 0.1	5000 x 2	5 x 0.002	50 x 0.02	-	10 x 0.01	5 x 0.005	50 x 0.05	-		150%
	MR03-20	20 x 0.01	320 x 0.2	10000 x 5	10 x 0.005	100 x 0.05	-	20 x 0.02	10 x 0.01	100 x 0.1	-		
	MR03-50	50 x 0.02	800 x 0.5	25000 x 10	25 x 0.01	250 x 0.1	-	50 x 0.05	25 x 0.02	250 x 0.2	-		
	MR03-100	100 x 0.05	1600 x 1	50000 x 20	50 x 0.02	500 x 0.2	-	100 x 0.1	50 x 0.05	500 x 0.5	-		
R04	MR04-025	0.25 x 0.0001	4 x 0.002	100 x 0.05	-	1 x 0.0005	1000 x 0.5 mN	0.25 x 0.0002	100 x 0.1 gF	1 x 0.001	-	0.2%	200%
	MR04-05	0.5 x 0.0002	8 x 0.005	250 x 0.1	-	2.5 x 0.001	2500 x 1 mN	0.5 x 0.0005	250 x 0.2 gF	2.5 x 0.002	-		
	MR04-2	2 x 0.001	32 x 0.02	1000 x 0.5	1 x 0.0005	10 x 0.005	-	2 x 0.002	1 x 0.001	10 x 0.01	-		
	MR04-5	5 x 0.002	80 x 0.05	1000 x 0.5	2.5 x 0.001	25 x 0.01	-	5 x 0.005	2.5 x 0.002	25 x 0.02	-		
	MR04-10	10 x 0.005	160 x 0.1	5000 x 2	5 x 0.002	50 x 0.02	-	10 x 0.01	5 x 0.005	50 x 0.05	-		
	MR04-20	20 x 0.01	320 x 0.2	10000 x 5	10 x 0.005	100 x 0.05	-	20 x 0.02	10 x 0.01	100 x 0.1	-		
	MR04-50	50 x 0.02	800 x 0.5	25000 x 10	25 x 0.01	250 x 0.1	-	50 x 0.05	25 x 0.02	250 x 0.2	-		
MR04-100	100 x 0.05	1600 x 1	50000 x 20	50 x 0.02	500 x 0.2	-	100 x 0.1	50 x 0.05	500 x 0.5	-			
R05	MR05-500	500 x 0.2	8000 x 5	-	250 x 0.1	2500 x 1	2.5 x 0.001	500 x 0.5	250 x 0.2	2500 x 2	-	0.15%	150%
R06	MR06-200	200 x 0.1	3200 x 2	-	100 x 0.05	1000 x 0.5	1 x 0.0005	200 x 0.2	100 x 0.1	1000 x 1	-	0.5%	150%

Plug & Test® Indicators & Sensors



Model No.	Capacity x Resolution with Model 7i & 5i indicators								Capacity x Resolution with Model 3i indicator				Accuracy* (±% FS)	Safe Overload	
	ozFin	lbFin	lbFft	gFcm	kgFmm	Nmm	Ncm	Nm	ozFin	lbFin	kgFmm	Ncm			
R50	MR50-10Z	10 x 0.005	-	-	700 x 0.5	7 x 0.005	70 x 0.05	7 x 0.005	-	10 x 0.01	-	7 x 0.005	7 x 0.005	0.35%	300%
	MR50-20Z	20 x 0.01	-	-	1400 x 1	14 x 0.01	140 x 0.1	14 x 0.01	-	20 x 0.02	-	14 x 0.01	14 x 0.01		
	MR50-50Z	50 x 0.02	-	-	3600 x 2	36 x 0.02	350 x 0.2	35 x 0.02	-	50 x 0.05	-	36 x 0.05	35 x 0.05		
	MR50-12	192 x 0.1	12 x 0.005	1 x 0.0005	-	-	-	135 x 0.1	1.35 x 0.001	192 x 0.2	12 x 0.01	-	135 x 0.1		150%
	MR50-50	800 x 0.5	50 x 0.02	4 x 0.002	-	-	-	570 x 0.5	5.7 x 0.005	800 x 1	50 x 0.05	-	570 x 0.5		
	MR50-100	1600 x 1	100 x 0.05	8 x 0.005	-	-	-	1150 x 1	11.5 x 0.01	1600 x 2	100 x 0.1	-	1150 x 1		
R51	MR51-10Z	10 x 0.005	-	-	700 x 0.5	7 x 0.005	70 x 0.05	7 x 0.005	-	10 x 0.01	-	7 x 0.005	7 x 0.005	0.15%	300%
	MR51-20Z	20 x 0.01	-	-	1400 x 1	14 x 0.01	140 x 0.1	14 x 0.01	-	20 x 0.02	-	14 x 0.01	14 x 0.01		
	MR51-50Z	50 x 0.02	-	-	3600 x 2	36 x 0.02	350 x 0.2	35 x 0.02	-	50 x 0.05	-	36 x 0.05	35 x 0.05		
	MR51-12	192 x 0.1	12 x 0.005	1 x 0.0005	-	-	-	135 x 0.1	1.35 x 0.001	192 x 0.2	12 x 0.01	-	135 x 0.1		150%
	MR51-50	800 x 0.5	50 x 0.02	4 x 0.002	-	-	-	570 x 0.5	5.7 x 0.005	800 x 1	50 x 0.05	-	570 x 0.5		
	MR51-100	1600 x 1	100 x 0.05	8 x 0.005	-	-	-	1150 x 1	11.5 x 0.01	1600 x 2	100 x 0.1	-	1150 x 1		
R52	MR52-10Z	10 x 0.005	-	-	700 x 0.5	7 x 0.005	70 x 0.05	7 x 0.005	-	10 x 0.01	-	7 x 0.005	7 x 0.005	0.35%	300%
	MR52-20Z	20 x 0.01	-	-	1400 x 1	14 x 0.01	140 x 0.1	14 x 0.01	-	20 x 0.02	-	14 x 0.01	14 x 0.01		
	MR52-50Z	50 x 0.02	-	-	3600 x 2	36 x 0.02	350 x 0.2	35 x 0.02	-	50 x 0.05	-	36 x 0.05	35 x 0.05		
	MR52-12	192 x 0.1	12 x 0.005	1 x 0.0005	-	-	-	135 x 0.1	1.35 x 0.001	192 x 0.2	12 x 0.01	-	135 x 0.1		150%
	MR52-50	800 x 0.5	50 x 0.02	4 x 0.002	-	-	-	570 x 0.5	5.7 x 0.005	800 x 1	50 x 0.05	-	570 x 0.5		
	MR52-100	1600 x 1	100 x 0.05	8 x 0.005	-	-	-	1150 x 1	11.5 x 0.01	1600 x 2	100 x 0.1	-	1150 x 1		
R55	MR55-20	320 x 0.5	20 x 0.02	1.5 x 0.002	-	-	-	220 x 0.2	2 x 0.002	320 x 0.5	20 x 0.02	-	220 x 0.2	0.6%	150%
	MR55-50	800 x 1	50 x 0.05	4 x 0.005	-	-	-	570 x 0.5	5.7 x 0.005	800 x 1	50 x 0.05	-	570 x 0.5		
	MR55-100	1600 x 2	100 x 0.1	8 x 0.01	-	-	-	1150 x 1	11.5 x 0.01	1600 x 2	100 x 0.1	-	1150 x 1		
	MR55-200	-	200 x 0.2	16 x 0.02	-	2300 x 2	-	2200 x 2	22 x 0.02	-	200 x 0.2	2300 x 2	2200 x 2		
	MR55-400	-	400 x 0.5	32 x 0.05	-	4600 x 5	-	4500 x 5	45 x 0.05	-	400 x 0.5	4600 x 5	4500 x 5		
	MR55-1000	-	1000 x 1	80 x 0.1	-	11500 x 10	-	11000 x 10	110 x 0.1	-	1000 x 1	11500 x 10	11000 x 10		
	MR55-5000	-	5000 x 5	400 x 0.5	-	55 x 0.05 kgFm	-	55000 x 50	550 x 0.5	-	5000 x 5	55 x 0.05 kgFm	550 x 0.5 Nm		

All sensors include a Plug & Test® connector for interfacing directly with a 7i, 5i or 3i indicator. NIST-traceable certificate of calibration with data is also included.

* Accuracy refers to the sensor only. Total accuracy includes the indicator's accuracy (±0.1% or ±0.2%). For example, the total accuracy of the MR50-50 sensor with 5i indicator equals ±0.35% + ±0.1% = ±0.45% FS.

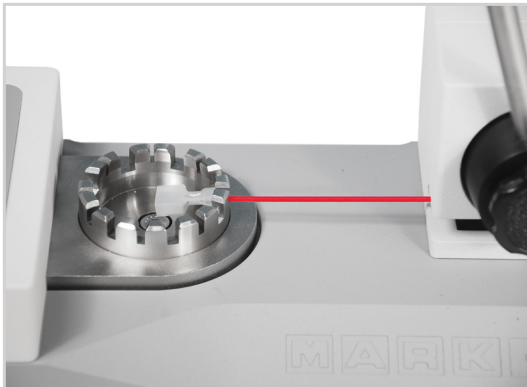
** Add suffix "-1" for shortened cable, for use on ESM303(H), ESM750, and ESM1500 test stands. Ex: MR01-1000-1. Test stand mounting hardware is included.

Wire Crimp Pull Testers

Model WT3-201

Manual, 200 lbF / 1,000 N

The WT3-201 is an integrated solution for manual wire crimp pull testing requirements. An ergonomic lever allows for easy application of force. Adjustable terminal fixture contains multiple slots for diameters up to AWG 3 (0.25 in [6.3 mm]). USB output, data memory, and peak force capture are provided.



^ Adjustable wire terminal fixture accommodates wire diameter sizes up to 0.25 in (6.3 mm).



^ Unique knurled cam design effectively secures and pulls the loose end of the sample.



^ Ergonomic lever easily applies force and releases the sample.

Features:

- **Peak force capture**
- **USB, RS-232, Mitutoyo, and analog outputs**
- **Data memory**
1,000-point data memory with statistics (min, max, mean, standard deviation), and outputs.
- **Password protection**
Passwords may be set for calibration and for individual keys, designed to protect the tester against unauthorized changes.
- **Automatic output**
Automatic output / data storage / zeroing upon sample break helps automate testing processes

Ordering Information

Model No.	Description
WT3-201	Wire terminal tester, 110V
WT3-201E	Wire terminal tester, 220V EUR
WT3-201U	Wire terminal tester, 220V UK
WT3-201A	Wire terminal tester, 220V AUS
WT3001	Carrying case
WT3002	Ring terminal fixture
WT3003	Machinable blank terminal fixture
AC1049	Calibration kit

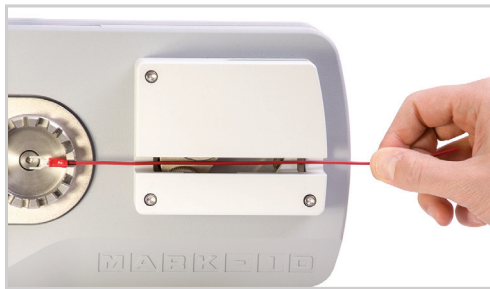
Wire Crimp Pull Testers



Model WT3-201M

Motorized, 200 lbf / 1,000 N

The WT3-201M is an integrated motorized solution for destructive and non-destructive wire crimp pull testing requirements, such as pulling to a load and load holding. Adjustable terminal fixture contains multiple slots for diameters up to AWG 3 (0.25 in [6.3 mm]). USB output, data memory with time stamp, and peak force capture are provided, along with the ability to save up to 500 test profiles.



^ The tester automatically starts when the sample is loaded, and returns to home when the sample breaks. Adjustable terminal fixture accommodates wire diameters up to 0.25 in (6.3 mm)



^ As the test begins, serrated cams engage the sample. A pinch guard (red tab shown above) automatically rotates into position, for added safety.



^ Save and recall multiple profiles, for quick and accurate switchover to different test methods.

Features:

- Measures real-time and peak force values
- Selectable test speed, w/high speed approach and reverse
- Auto-start upon sample insertion
- Auto-reverse at sample break or load
- USB, RS-232, Mitutoyo, and analog outputs
- 2,000-point data memory with statistics, output, and date and time stamp
- Save and recall up to 500 test profiles
- Pull to a specified load or maintain load for a specified period of time, as per UL 486A/B

Ordering Information

Hardware	
WT3-201M	Motorized wire crimp pull tester, 110V
WT3-201ME	Motorized wire crimp pull tester, 220V EUR
WT3-201MU	Motorized wire crimp pull tester, 220V UK
WT3-201MA	Motorized wire crimp pull tester, 220V AUS
WT3002	Ring terminal fixture
WT3003	Machinable blank terminal fixture
WT3004	Carrying case
AC1049	Calibration kit
Controller Options	
WF010	Profiles
WF011	Pull to load limit
WF012	Load holding
WF013	Date and time stamp
WFCOMP	Complete options package (includes all Controller Options)



Ergonomics Gauges & Kits

Test push/pull muscle strength and functional task requirements



These force gauges are ideal for strength assessment, ergonomic studies, and workplace design. Available in capacities of 100 lbF (500 N), 200 lbF (1,000 N), and 500 lbF (2,500 N).

Series EK3 basic kits offer everyday functionality and include a selection of commonly used attachments.

Series E offers increased force gauge performance, with unique Click-Lock® accessory mounting technology. Select pre-configured kits, or pick and choose a gauge and accessories suited to your unique applications.

Series EKM5 myometer kits are designed for muscle strength assessments, and include a Series 5 force gauge, strap and hook. A myometer accessory is also available for Series E.

Comparison Chart

	Series 3 (included w/Series EK3 kits)	Series E (included w/Series EKE kits)*
Accuracy	±0.3%	±0.2%
Sampling rate	2,000 Hz	7,000 Hz
Units of measurement	lbF, kgF, N	lbF, ozF, kgF, N, kN
USB data output	✓	✓
Averaging mode	✗	✓
On-board data memory & statistics	✗	✓
Continuous data capture	✗	✓
Accessory mounting	Traditional mounting threads	Click-Lock® Technology
Password protection	✗	✓
Available accessories:		
Single handle grip	✓	✓
Double handle grip	✓	✓
Padded attachment, curved	✓	✓
Padded attachment, flat	✓	✓
Padded attachment, square	✓	✓
Padded attachment, circular	✗	✓
Hook	Clevis grip	Snap hook
Chain / hook assembly	✗	✓
Pistol grip	✗	✓
MESUR™ Lite software included	✓	✓



Series 3



Series EK3 kit



Series E



Series EKE kit

* Refer to the Series E data sheet for information about which accessories are included with each kit level.

Ergonomics Gauges & Kits



Click-Lock® Technology - Series E



Attachments click and lock into place via innovative Click-Lock® technology, a rugged anti-rotation locking mechanism. The attachments may be clicked into 90° or 180° orientations. No fastening is required, as with conventional force gauges, reducing the risk of damage to the instrument.



Available Accessories - Series E



- 1** E1010 pistol grip
- 2** E1002 padded attachment, square
- 3** E1003 padded attachment, rectangular
- 4** E1004 padded attachment, curved
- 5** E1005 padded attachment, circular
- 6** E1009 double handle grip
- 7** E1007 single handle grip
- 8** E1007 chain / hook assembly
- 9** E1013 myometer accessory
- 10** E1012 looped cable
- 11** Series E force gauge
- 12** E1006 hook

Ordering Information - Kits

Model No.	Description
EK3-100	Basic ergonomics testing kit, 100 lbf / 500 N
EK3-200	Basic ergonomics testing kit, 200 lbf / 1,000 N
EK3-500	Basic ergonomics testing kit, 500 lbf / 2,500 N
EKE-100-1	Advanced ergonomics kit, 100 lbf / 500 N
EKE-200-1	Advanced ergonomics kit, 200 lbf / 1,000 N
EKE-500-1	Advanced ergonomics kit, 500 lbf / 2,500 N
EKE-100-2	Professional ergonomics kit, 100 lbf / 500 N
EKE-200-2	Professional ergonomics kit, 200 lbf / 1,000 N
EKE-500-2	Professional ergonomics kit, 500 lbf / 2,500 N
EKM5-200	Myometer, complete kit w/M5-200 force gauge

All models include 110V AC adapters. Add suffix 'E' for euro plug (220V), 'U' for UK plug (220V), or 'A' for Australian plug (220V).

Example: EK5-100E, EK5-200U, EKM5-200A



Software

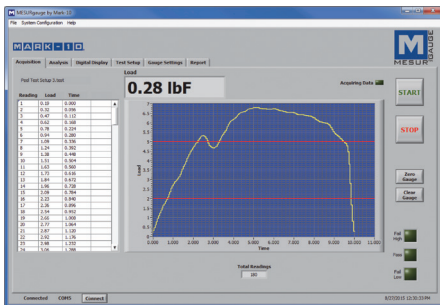


MESUR®gauge / MESUR®gauge Plus Software

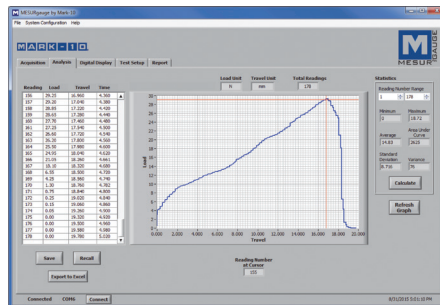
MESUR®gauge and MESUR®gauge Plus expand the functionality of force and torque measuring instruments and test stands. Both programs share the ability to capture and display data in graphical format for load vs. time or load vs. travel vs. time. MESUR®gauge Plus adds the ability to control the motion of certain Mark-10 motorized test stands, coordinating motion control and data acquisition.

Features:

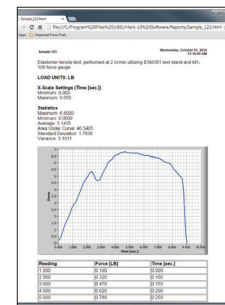
- Tabulate and plot continuous or single-point data
- MESUR®gauge Plus starts and stops certain model motorized test stands, coordinating motion control and data collection with just one click
- Real time tabular and graphical data acquisition of load vs. time or load vs. travel vs. time
- Configurable start and stop test triggers (time, load, number of samples, or distance)
- Statistical calculations of acquired data. Automatically recalculates for custom ranges.
- One-click export to Excel
- Customize test setups for future recall
- Customize reports and templates
- Configure certain Mark-10 gauges and indicators through a simple interface
- View real time data on a large simulated instrument display



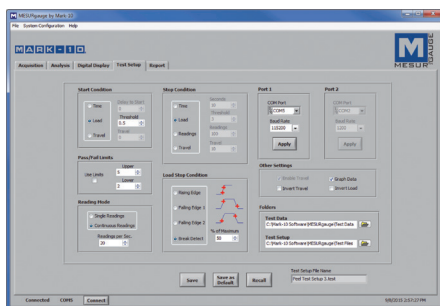
↗ View real time data in graphical and tabular formats. Also, remotely zero the force gauge or test stand travel display.



↗ Analyze test data via x-y cursor and statistical calculations for specified regions. Tests may be saved and recalled, and data may be exported to Excel with one click.



↗ Generate reports, including test data, graph, statistics, date and time, and user-configurable fields.



↗ Configure start and stop conditions, such as load, break, time, or distance. Select either discrete data point collection or continuous data collection at up to 50 Hz.

Ordering Information:

Model No.	Description
15-1004	MESUR®gauge software
15-1004-5	MESUR®gauge software, 5 licenses
15-1005	MESUR®gauge Plus software*
15-1005-5	MESUR®gauge Plus software, 5 licenses*
15-1006	Upgrade, MESUR®gauge to MESUR®gauge Plus*

* Minimum required test stand controller firmware versions for motion control:

ESM303 / ESM303H: Front: 2.02.04, Main: 2.02.04

ESM1500: Front: 2.02.02, Main: 2.02.02

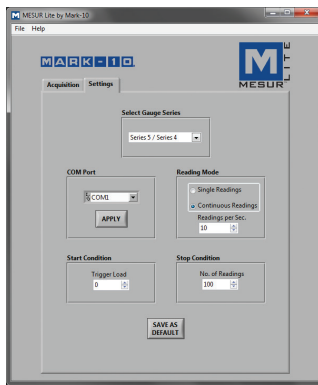


MESUR® Lite Software

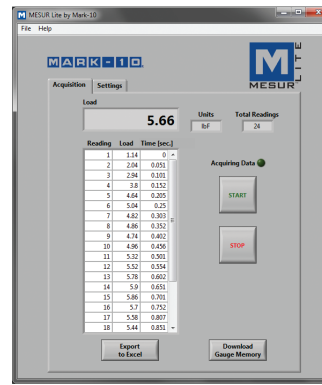
MESUR® Lite is a basic data collection program included with Mark-10 gauges, indicators, and testers. MESUR® Lite tabulates continuous or single point data from a gauge. Data saved in the gauge's memory can also be downloaded in bulk. One-click export to Excel allows for further data manipulation.

Features:

- Tabulates continuous, single-point, or saved data from a gauge
- One-click export to Excel
- Configurable start and stop test triggers



< The Settings tab allows the user to select gauge series, COM port, reading mode (discrete or continuous data collection), and start and stop conditions.



< The Acquisition tab displays the current reading and tabulates data. Also provides a means of downloading saved data from a Mark-10 instrument and one-click export to Excel.

Software Comparison Chart

	MESUR® gauge	MESUR® gauge Plus	MESUR® Lite
Compatible equipment	Instruments, test stands, travel displays		Instruments only
Type of data	Load vs. time / load vs. travel / custom		Load vs. time only
Motion control of motorized stands	✗	✓	✗
Data tabulation	✓		✓
Export to Excel	✓		✓
Graphing and analysis tools	✓		✗
Max. number of data points	Unlimited		5,000
Data sampling rate	0.000001 - 50/sec.		0.1 - 10/sec.
Statistical calculations	✓		✗
Available start conditions	Time, load, travel distance		Load only
Available stop conditions	Time, load, sample break, travel distance, number of readings		Number of data points only
Configurable pass / fail limits	✓		✗
Reporting	Yes, with customizable fields and templates		✗
Save and recall test data	✓		✗
Save and recall multiple test setups	✓		✗
Gauge configuration utility	✓		✗
Large digital display	✓		✗



Test Stands

Model ES05

Force, Manual, 30 lbf / 150 N

The ES05 test stand is an economical and compact compression test stand for various testing applications. A spring-loaded lever allows for repeatable testing with up to 1.5" (38 mm) displacement, and the lever mechanism can be repositioned along the length of the column.

Features:

- **Spring loaded lever mechanism**
Convenient for repetitive testing.
- **Repositionable lever mechanism**
Adds flexibility in test setups.
- **Compact size**
Portable, small footprint.



Models ES10 and ES20

Force, Manual, 100 lbf / 500 N

The ES10 and ES20 test stands are economical and compact push/pull solutions for many testing applications. Available in lever (ES10) or hand wheel (ES20) operation.

Features:

- **Choice of lever (ES10) or hand wheel (ES20) operation**
Lever action provides for quick testing at high speeds, while hand wheel action allows for fine positioning and better motion control.
- **Optional 1" dial or digital indicator (ES001, ES002)**
For spring testing, rubber and polymer testing, and more. Digital model displays in and mm. Also available as brackets only (no indicator).
- **Compact size**
Portable, small footprint.



ES20

ES10





Model ES30

Force, Manual, 200 lbF / 1,000 N

The ES30 accommodates a wide range of sample shapes and sizes due to generous travel distance, daylight, and throat distance. Convenient side-mounted hand wheel operation makes testing easier.

Features:

- **Side mounted hand wheel**
Convenient loading method, offers more control over test speed.
- **Removable base**
The entire base may be removed for alternative mounting.
- **Optional 6" & 12" digital travel displays (ESM001, ESM004)**
Useful in spring testing, rubber and polymer testing, and other applications.
- **Optional column extensions**
For testing long samples. Available in lengths of 6" [152 mm] (ESM003-1), 12" [305 mm] (ESM003-2), and 24" [610 mm] (ESM003-3). Custom lengths also available.



Model TSA750 / TSA750H

Force, Manual, 750 lbF / 3,750 N

The TSA750 is a rugged stand for heavy duty testing applications requiring quick action. Lever operation allows the operator to produce 750 lbF with relatively little effort. Modular design allows for the force gauge bracket and lever mechanism to be repositioned along the column. Available in vertical and horizontal configurations.

Features:

- **Rack and pinion mechanism with lever operation**
Allows for quick testing. The lever can be repositioned in 30° increments.
- **Adjustable travel stops**
For limiting travel distance. Useful in repetitive testing.
- **Optional 6" digital travel display (TSA001)**
Useful in spring testing, rubber and polymer testing, and other applications.





Test Stands

Model TSB100

Force, Manual, 100 lbF / 500 N

The TSB100 is an economical lever operated test stand for many applications requiring quick action. Lightweight and compact design makes this stand portable for field testing. Modular design allows for the force gauge bracket and lever mechanism to be repositioned along the column. Removable base allows for a range of custom mounting configurations. Adjustable travel stops are available.

Features:

- **Rack and pinion mechanism with lever operation**
Allows for quick testing. The lever can be repositioned in 30° increments.
- **Removable base with loading table**
A steel loading table with threaded holes is provided for grip or fixture mounting. The entire base may be removed for alternative mounting.
- **Optional 6" digital travel display (TSB001)**
Useful in spring testing, rubber and polymer testing, and more.



Model TSC1000 / TSC1000H

Force, Manual, 1,000 lbF / 5,000 N

The TSC1000 is a rugged stand for heavy duty testing requirements requiring fine position control without backdriving. Hand wheel operation allows the operator to produce gradual and repeatable force during testing. Modular design allows for the gauge mounting plate and housing to be moved along the length of the column. Removable base (TSC1000) or mounting legs (TSC1000H) allow for a range of custom mounting configurations.

TSC1000



Features:

- **Inline hand wheel operation**
Precision Acme screw and nut provide smooth operation over the entire 1,000 lbF range. Inline force minimizes column bending during testing.
- **Modular design**
Adjustable components accommodate a wide range of testing configurations.
- **Optional 6" digital travel display (TSC001)**
Useful in spring testing, rubber and polymer testing, and more.

TSC1000H





Model TSF / TSFH

Force, Manual, 1,000 lbF / 5,000 N

The TSF is a rugged stand with a broad, rigid column, making it perfect for spring testing, high force tensile testing, and other applications. Precision side-mounted hand wheel operation is virtually effortless over the entire 1,000 lbF range, without backdriving. Modular design allows for the gauge mounting plate and housing to be moved along the length of the column. Removable base (TSF) or mounting legs (TSFH) allow for a range of custom mounting configurations.

Features:

- **Side-mounted hand wheel operation**
Ergonomic load method minimizes operator fatigue.
- **Exceptionally strong column**
Rugged 3" x 3" column is durable and stiff, ideal for spring testing. Inline force minimizes column bending during testing.
- **Optional 6" digital travel display (TSF001)**
Useful in spring testing, rubber and polymer testing, and other applications.

TSF



TSFH



Specifications - Manual Force Test Stands

Model	Capacity lbF [N]	Maximum travel ¹ in [mm]	Loading method	Travel rate in [mm]	Daylight ² in [mm]
ES05	30 [150]	1.5 [38]	Spring-loaded lever	-	8 [203]
ES10	100 [500]	9 [229]	Lever	1.050 [26.7] / lever rev.	9 [229]
ES20			Top-mounted hand wheel	0.083 [2.1] / wheel rev.	
ES30	200 [1,000]	13 [330]	Side-mounted hand wheel	0.050 [1.3] / wheel rev.	14 [356] ³
TSA750	750 [3,750]	with travel stops: 2.75 [70] without travel stops: 6 [152]	Rack & pinion, lever can be positioned in 30° increments	3.00 [76.2] / lever rev.	10.5 [267] ³
TSA750H					14.5 [368] ³
TSB100					21 [533] ³
TSC1000	1,000 [5,000]	3.5 [89]	Inline hand wheel	0.10 [2.5] / wheel rev.	10 [254] ³
TSC1000H					13 [330] ³
TSF		4 [102]	Side-mounted hand wheel	0.013 [0.34] / wheel rev.	14 [356] ³
TSFH					16.5 [419] ³

Notes:

1. Maximum travel depends on the grips or fixtures used during testing. The dimensions indicate distances without the use of grips or fixtures.
2. The clearance between the bottom of a mounted force gauge or sensor and the loading surface of the stand. Daylight will be reduced through the use of grips or fixtures. If the test sample size is close to the daylight figure above (or daylight less grip(s) or fixture(s)), a column extension may be necessary.
3. Column extensions are available.



Test Stands

Model ESM303

Force, Motorized, 300 lbf / 1,500 N

The ESM303 is a highly configurable single-column force tester for tension and compression measurement applications, with a rugged design suitable for laboratory and production environments. Sample setup and fine positioning are a breeze with available FollowMe® force-based positioning - using your hand as your guide, push and pull on the force gauge or load cell to move the crosshead at a dynamically variable rate of speed.

With generous travel, clearance, and depth dimensions, a wide range of tests can be performed, including break testing, cycling, limit testing to a load or distance, loadholding, elongation testing, tensile testing, compression testing, and more. Satisfy various test methods through an easy-to-use menu, allowing the configuration of test speed, force and distance limits, cycling, preload, and many other functions, all protected by a password. Save up to 50 profiles to accommodate a range of test methods.

Force and travel data can be output to a PC for graphing and analysis using MESUR® gauge software. Or, fully control the stand by a PC through a customwritten program with ASCII communication.

Standard Features

- Selectable speed setting
- Upper and lower travel limit switches
- Adjustable, removal controller with intuitive menu navigation
- Password protection of test parameters
- Stepper motor-driven, producing smooth and quiet operation with no speed variation under load
- USB output of force vs. time or force vs. travel
- Compact footprint, suitable for crowded workbenches
- Ergonomic design, with smart, clean cable management
- Integrated electronics panel, easily removed and transported
- Adjustable mounting plate with T-slot base



^ Rugged aluminum up/down/stop keys are designed for industrial environments. *Zero Travel* and *FollowMe* keys add convenience. Removable for remote use. See the following page for a full list of available functions.



^ Adjustable upper and lower solid state limit switches stop test stand travel with 0.001 in. [0.025 mm] repeatability.



^ The mounting plate may be repositioned in the X- and Y-directions, for proper sample alignment. Matrix of threaded holes for fixture mounting.



^ All electronics are installed onto a single panel, easily accessible and removable for updating and service.



ESM303 - Key Features and Options



^ Optional FollowMe® function - Using your hand as your guide, push and pull on the load cell or force gauge to move the crosshead. Responsive enough for quick positioning as well as fine adjustments.



^ Increase the vertical clearance for tall samples with single column extensions. Three lengths are available - 6, 12 and 24 in [150, 300, and 600 mm].



^ Indicator / load cell adapter accommodates any Mark-10 indicator and Series R01 or R03 force sensors. Includes mounting hardware.



^ Safety shield provides pinch and sample debris protection for the operator. An electrical interlock prevents test stand operation while the door is open.



^ Double column extensions accommodate up to a 20 in. [508 mm] wide sample, or $\varnothing 21.5$ in [$\varnothing 546$ mm] round sample. Three heights are available - 6, 12 and 24 in [150, 300, and 600 mm]. Base contains rows of T-slots for fixture mounting.

Specifications

Load capacity:	
< 24 in [610 mm]/min:	300 lbF [1.5 kN]
> 24 in [610 mm]/min:	200 lbF [1 kN]
Speed range:	
Standard:	0.5 - 13 in/min [13 - 330 mm/min]
Optional:	0.02 - 45 in/min [0.5 - 1,100 mm/min]
Maximum travel:	18.0 in [457 mm]
Speed setting accuracy:	$\pm 0.2\%$
Speed variation with load:	$\pm 0\%$ [Stepper motor driven]
Travel accuracy:	± 0.002 in per 10 in [± 0.05 mm per 250 mm]
Travel resolution:	0.001 in [0.02 mm]
Limit switch repeatability:	± 0.001 in [0.03 mm]
Power:	Universal input 80-240 VAC, 50/60 Hz
Weight:	56.5 lb [25.6 kg]



Test Stands

ESM303 - In The Box

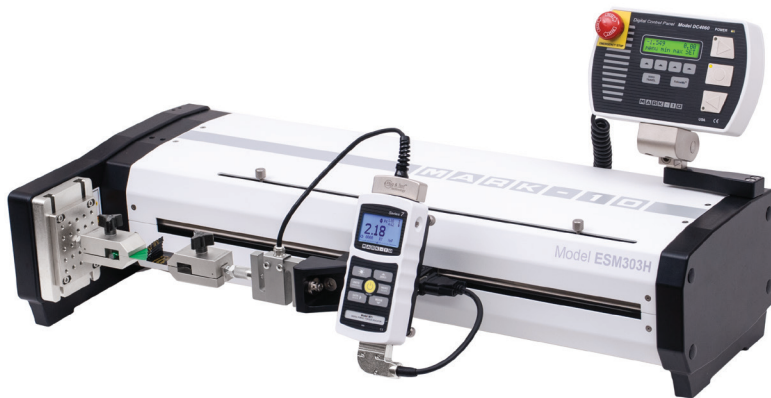
The ESM303 test stand is shipped as shown below, and includes the following accessories:



- (1) G1024 extension rod, 2"
- (1) G1028 small hook
- (1) G1038 medium hook
- (1) G1039 coupling, #10-32F/F
- (1) G1009 compression plate, 2" dia.
- (1) G1030 thread adapter, 5/16-18M to #10-32F
- (4) Thumb screw for force gauge / indicator
- (2) Thumb screw for limit switch
- (1) Allen wrench set
- (1) Control panel
- (1) Control panel mounting bracket and hardware
- (1) Power cord
- (1) Resource CD

Also available: Horizontal Model ESM303H

Similar specifications to Model ESM303. Complete details are available on our website.





ESM303 - Optional Functions

Any of the below functions may be selected at time of order or activated in the field via an activation code. A complete options package is also available. The stand is supplied in Demo Mode, a 160-hour time period during which all functions are temporarily enabled.

Feature	Part No.	Description	Requirements
FollowMe*	AF008	Position the crosshead by manually pushing or pulling on the force gauge shaft or load cell. Increasing force produces greater speeds. Ideal for setups and quick positioning.	- Series 7 or 5 gauge or indicator - AC1114 interface cable
Travel indication	AF009	Position is indicated on the control unit display, with output via USB. An internal scale utilizing Renishaw technology produces significantly higher accuracy than with conventional rotary encoder-based designs. Backlash and nonlinearity are virtually eliminated.	- If installed as a retrofit, field hardware installation is required. - For data output to a PC, a Series 7 or 5 gauge or indicator is required.
Computer control	AF010	Fully control the stand and force gauge / indicator via custom-written application in any language supporting ASCII communications. Also responds to the legacy Chatillon TCD command set and legacy Nexygen TCD software (not available from Mark-10). This option is not required for MESUR® gauge Plus software.	- Series 7 or 5 gauge or indicator - AF009 travel indication - AC1114 interface cable - AC1107 USB output cable - For full speed range, consider AF017 and AF018 speed range extensions
Programmable travel limits	AF011	The crosshead stops at or cycles between programmable upper and lower travel distances.	- AF009 travel indication option
Overload protection	AF012	Protects a force gauge or force sensor against overload. Also compatible with many competitors' gauges.	- Series 7 or 5 gauge or indicator - AC1114 interface cable
Auto return	AF013	The crosshead moves to a limit switch, force set point, travel position, or break, then stops and reverses direction at full speed to the opposite limit.	- Reversing at force set point: Series 7 or 5 gauge or indicator and AC1114 interface cable - Reversing at travel limit: AF011 programmable travel limits option - Reversing at break: AF019 break detection option and AC1114 interface cable
Cycling / dwell time	AF014	Same as auto-return, but programmable up to 99,999 cycles. Programmable dwell time at upper and lower limits up to 9,999 seconds.	- Same as auto return, at the same speed in each direction. Add AF016 for independent up and down speeds.
Independent up and down speeds	AF016	Individually specify speeds for the up and down directions.	---
Low speed range extension	AF017	Extends the standard speed range down to 0.02 in/min (0.5 mm/min).	---
High speed range extension	AF018	Extends the standard speed range up to 45 in/min (1,100 mm/min).	---
Break detection	AF019	Crosshead stops at a programmable drop in force.	- Series 7 or 5 gauge or indicator - AC1114 interface cable
Load holding	AF020	Dynamically adjusts the crosshead position to maintain a specified load for an indefinite or specified period of time.	- Series 7 or 5 gauge or indicator - If a specified time is required, add AF014 cycling / dwell time option - AC1114 interface cable
Preload / sample touch	AF021	Stops the crosshead and/or zeroes the travel display at an initial preload - useful in tensile, spring, elongation, and other applications.	- AF009 travel indication - Series 7 or 5 gauge or indicator - AC1114 interface cable
Profiles	AF022	Save and recall sets of test parameters, such as speeds, travel limits, preload, etc. Maximum of 50 profiles may be stored.	---
Complete options package	AFCOMP	Includes all functions listed above, plus AC1114 interface cable and AC1107 USB cable. Requires a Series 7 or 5 gauge or indicator.	

ESM303 - Ordering Information

Model No.	Description
ESM303	Motorized test stand, 110V*
AC1114	Interface cable, gauge / indicator to ESM303
AC1107	USB output cable
AC1062	Load cell / indicator mounting kit
ESM303-001-1 / -2 / -3	Single column extension, 6 / 12 / 24 in. [150 / 300 / 600 mm]
ESM303-002-1 / -2 / -3	Double column extension, 6 / 12 / 24 in. [150 / 300 / 600 mm]

* ESM303 contains a universal power supply (80 - 240V) and includes a power cord with US plug. Add suffix 'E' for Euro plug, 'U' for UK plug, or 'A' for Australian plug. Ex: ESM303E



Test Stands

Models ESM750 / ESM1500

Force, Motorized



ESM1500S
1,500 lbF [6.7 kN]
14.2 in [360 mm] travel



ESM1500
1,500 lbF [6.7 kN]
32 in [813 mm] travel



ESM750
750 lbF [3.4 kN]
32 in [813 mm] travel



ESM750S
750 lbF [3.4 kN]
14.2 in [360 mm] travel

ESM750 and ESM1500 single-column force testers are highly configurable solutions for tension and compression measurement applications, with capacities of 1,500 lbF (6.7 kN) and 750 lbF (3.4 kN), respectively. With generous travel and clearance, they are suitable for break testing, cycling, limit testing to a load or distance, loadholding, elongation testing, tensile testing, compression testing, and more.

Satisfy various test methods through configurable parameters, such as speed, number of cycles, etc. Up to 50 profiles may be saved and password protected. Crosshead positioning for sample setup is a breeze with available FollowMe®. Using your hand as your guide, push and pull on the load to move the crosshead at a dynamically variable speed.

The stands feature a unique modular controller function platform. Functions such as travel measurement, cycling, etc. are offered individually, for ultimate flexibility and value.

Collect force and travel data, plot and analyze results, and control test stand motion via MESUR®gauge Plus software. Or, fully control the stand by a PC through a custom application.

Standard Features

- Broad force range and clearance dimensions
- Compatible with load cells and force gauges
- USB output of force vs. time or distance
- Adjustable, removal control panel with intuitive menu navigation
- Unique modular function platform - select functions as required for the application
- Password protection of test parameters
- Stepper motor-driven, producing smooth and quiet operation with no speed variation under load
- Compact footprint, suitable for crowded workbenches
- Most electronics are housed in an integrated removeable enclosure, easily accessed for service



ESM750 / ESM1500 - Key Features and Options



^ FollowMe® dynamic positioning - Using your hand as your guide, push and pull on the load cell or force gauge to move the crosshead. Responsive enough for quick positioning as well as fine adjustments.



^ Simple controller interface - Rugged aluminum up/down/stop keys are designed for industrial environments. Zero Travel and FollowMe® keys add convenience. Removable for remote use. See the following page for a full list of available functions.



^ Limit switches - Adjustable upper and lower solid state limit switches stop test stand travel with 0.001 in. [0.025 mm] repeatability. following page for a full list of available functions.



^ Modular design - Most electronics are housed in an integrated enclosure, easily accessible and removable for updating and service.



^ Indicators - Choose from three indicator models. Consider a Model 7i or 5i to take full advantage of all test stand functions.



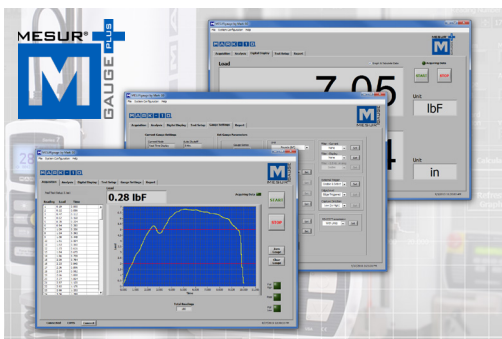
^ Series R01 force sensors (load cells) - Rugged S-beam design. Available in capacities from 50 to 2,000 lbf [250 N to 10 kN].



^ Series R03 force sensors (load cells) - Enclosed design. Available in capacities from 0.25 to 100 lbf [1 to 500 N].



^ Force gauges - Choose from several gauge series. Consider a Series 7 or 5 gauge to take advantage of all test stand functions.



^ PC control via MESUR®gauge Plus software. Acquire data and control test stand motion simultaneously via MESUR®gauge Plus. The software tabulates and graphs data, calculates statistics, and provides reporting and output tools.



^ Optional mounting plate, threaded hole matrix - A matrix of #10-32 threaded holes is provided, along with a 1/2-20 center hole.



^ Optional mounting plate, multiple hole thread sizes - Three thread sizes are provided [#10-32, 5/16-18, and 1/2-20], along with an array of four 1/4-28 holes.



Test Stands

ESM750 / ESM1500 - Specifications

	ESM1500	ESM1500S	ESM750	ESM750S
Load capacity:	1,500 lbF [6.7 kN] at < 60 in [1,525 mm]/min 1,000 lbF [4.5 kN] at > 60 in [1,525 mm]/min		750 lbF [3.4 kN] at < 35 in [900 mm]/min 500 lbF [2.3 kN] at > 35 in [900 mm]/min	
Maximum travel:	32.0 in [813 mm]	14.2 in [360 mm]	32.0 in [813 mm]	14.2 in [360 mm]
Standard speed range:	0.5 - 24 in/min [10 - 600 mm/min]			
Optional speed range:	0.001 - 90 in/min [0.02 - 2,300 mm/min]		0.001 - 60 in/min [0.02 - 1,525 mm/min]	
Speed setting accuracy:	±0.2%			
Speed variation with load:	±0% [Stepper motor driven]			
Travel accuracy:	±0.002 in. per 10 in. [±0.05 mm per 250 mm]			
Travel resolution:	0.001 in [0.02 mm]			
Limit switch repeatability:	±0.001 in [0.03 mm]			
Power:	Universal input 80-240 VAC, 50/60 Hz, 450 W		Universal input 80-240 VAC, 50/60 Hz, 120 W	
Weight (test stand only):	198 lb [90 kg]	160 lb [72 kg]	185 lb [84 kg]	150 lb [68 kg]
Shipping weight:	248 lb [113 kg]	206 lb [93 kg]	236 lb [107 kg]	196 lb [88 kg]
Warranty:	3 years [see individual statement for further details]			
Conformance:	CE			

ESM750 / ESM1500 - In The Box

The test stands are shipped as shown at right, and include the following accessories:

- (1) AC1047-2 eye end kit
- (2) G1088 spanner wrench
- (1) Load cell / indicator mounting kit or force gauge mounting kit
- (1) USB cable
- (4) Thumb screw for indicator / force gauge
- (1) Allen wrench set
- (1) Control panel
- (1) Control panel mounting bracket with hardware
- (1) Power cord
- (1) Resource CD





ESM750 / ESM1500 - Optional Functions

Any of the below functions may be selected at time of order or activated in the field via an activation code. A complete options package is also available. The stands are supplied in Demo Mode, a 160-hour time period in which all functions are temporarily enabled.

Feature	Part No.	Description	Requirements
FollowMe®	SF008	Position the crosshead by manually pushing or pulling on the force gauge shaft or load cell. Increasing force produces greater speeds. Ideal for setups and quick positioning.	- Series 7 or 5 gauge or indicator
Travel indication	SF009 ¹ SF009-1 ¹	Position is indicated on the control unit display, with output via USB. An internal scale utilizing Renishaw technology produces significantly higher accuracy than with conventional rotary encoder-based designs. Backlash and nonlinearity are virtually eliminated.	- For data output to a PC, a Series 7 or 5 gauge or indicator is required.
Computer control	SF010	Fully control the stand and force gauge / indicator via custom-written application in any language supporting ASCII communications. Also responds to the legacy Chatillon TCD command set and legacy Nexygen TCD software (not available from Mark-10). This option is not required for MESUR® gauge Plus software.	- Series 7 or 5 gauge or indicator - SF009 travel indication - For full speed range, consider SF017 and SF018 speed range extensions
Programmable travel limits	SF011	The stand stops at or cycles between programmable upper and lower travel distances.	- SF009 travel indication option
Overload protection	SF012	Protects a force gauge or force sensor against overload. Also compatible with many competitors' gauges.	- Series 7 or 5 gauge or indicator
Auto return	SF013	The crosshead moves to a limit switch, force set point, travel position, or break, then stops and reverses direction at full speed to the opposite limit.	- Reversing at force set point: Series 7 or 5 gauge or indicator - Reversing at travel limit: SF011 programmable travel limits option - Reversing at break: SF019 break detection option
Cycling / dwell time	SF014	Same as auto-return, but programmable up to 99,999 cycles. Programmable dwell time at upper and lower limits up to 9,999 seconds.	- Same as auto-return, at the same speed in each direction. Add SF016 for independent up and down speeds.
Independent up and down Speeds	SF016	Individually specify speeds for the up and down directions.	-
Low speed range extension	SF017	Extends the standard speed range down to 0.001 in/min (0.02 mm/min).	-
High speed range extension	SF018 SF018-1	ESM1500 / ESM1500S: Extends max speed to 90 in (2,300 mm)/min. ESM750 / ESM750S: Extends max speed to 60 in (1,525 mm)/min.	-
Break detection	SF019	Crosshead stops at a programmable drop in force.	- Series 7 or 5 gauge or indicator
Loadholding	SF020	Dynamically adjusts the crosshead position to maintain a specified load for an indefinite or specified period of time.	- Series 7 or 5 gauge or indicator - If a specified time is required, order SF014 cycling / dwell time option
Preload / sample touch	SF021	Stops the crosshead and/or zeroes the travel display at an initial preload - useful in tensile, spring, elongation, and other applications.	- SF009 travel indication - Series 7 or 5 gauge or indicator
Profiles	SF022	Save and recall sets of test parameters, such as speeds, travel limits, preload, etc. Maximum of 50 profiles may be stored.	-
Complete options package	SFCOMP ¹ / SFCOMP-1 ¹	Includes all functions listed above. Requires a Series 7 or 5 gauge or indicator.	

ESM750 / ESM1500 - Ordering Information²

Model No.	Description
ESM1500LC	Motorized test stand with force sensor / load cell mount, 1,500 lbf, 110V
ESM1500FG	Motorized test stand with force gauge mount, 1,500 lbf, 110V
ESM1500SLC	Motorized test stand with force sensor / load cell mount, 1,500 lbf, 110V
ESM1500SFG	Motorized test stand with force gauge mount, 1,500 lbf, 110V
ESM750SC	Motorized test stand with force sensor / load cell mount, 750 lbf, 110V
ESM750FG	Motorized test stand with force gauge mount, 750 lbf, 110V
ESM750SLC	Motorized test stand with force sensor / load cell mount, 750 lbf, 110V
ESM750SFG	Motorized test stand with force gauge mount, 750 lbf, 110V

Notes:

1. SF009 and SFCOMP apply to Models ESM750 and ESM1500.
SF009-1 and SFCOMP-1 apply to Models ESM750S and ESM1500S.

2. Contains a universal power supply (80 - 240V) and includes a power cord with US plug.

Add suffix 'E' for Euro plug, 'U' for UK plug, or 'A' for Australian plug.
Ex: ESM1500LCE



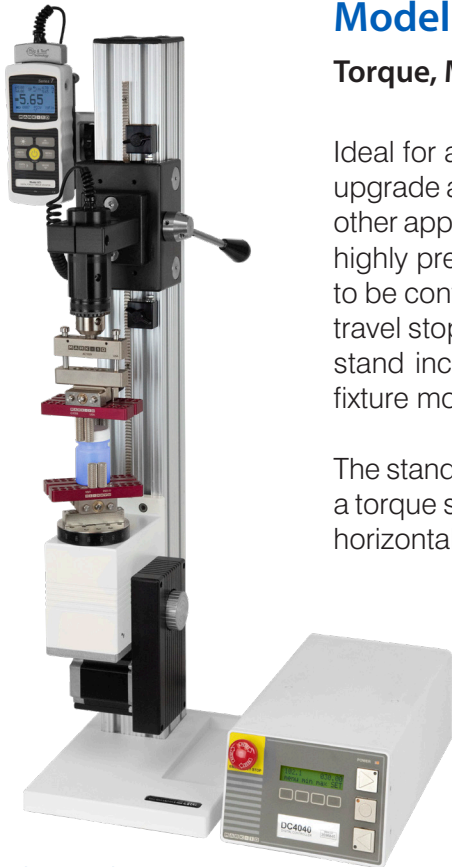
Test Stands

Model TSTM-DC / TSTMH-DC

Torque, Motorized, 100 lbFin / 11.3 Nm

Ideal for a wide variety of torque testing applications up to 100 lbFin (200 lbFin upgrade available), including closure torque testing, fastener torque testing, and other applications. Motorized clockwise and counterclockwise rotation produces highly precise and repeatable tests. Versatile modular design allows the stand to be configured for a variety of configurations while a lever-operated slider with travel stops makes engaging and disengaging samples quick and efficient. The stand includes a torque loading plate with tapped holes for grip and custom fixture mounting and a resettable angle indicator.

The stand can cycle between angle or torque limits. Overload protection protects a torque sensor against damage from excessive torque. Available in vertical and horizontal configurations.



TSTM-DC



TSTMH-DC

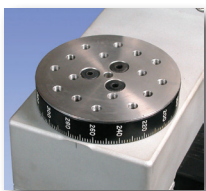
Features:

■ **Broad speed range**

Set the rotational speed from 0.01 - 15 RPM (0.05 - 90°/s). Optional extended range.

■ **No speed variation with load**

Stepper motor control eliminates any speed variation, regardless of the torque produced.



◀ **Fixture mounting table with angle indicator**

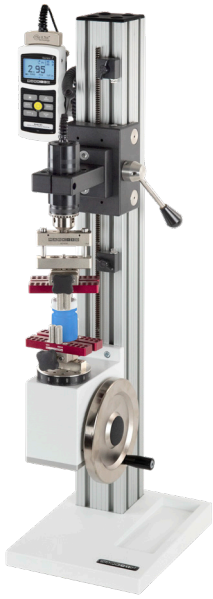
Steel table with threaded holes. Analog angle indicator with resolution of 2° may be reset.

■ **Integrated digital angle indicator**

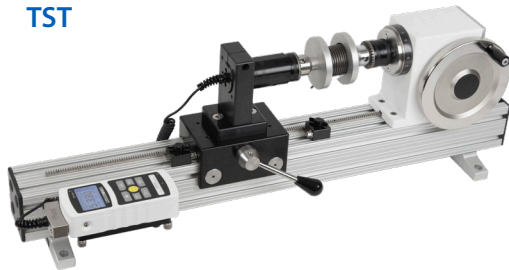
Measures in degrees or revolutions, with RS-232 output. USB converter available.

■ **Cycle between angle or torque limits**

■ **Custom column lengths**



TST



TSTH

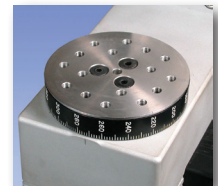
Model TST / TSTH

Torque, Manual, 100 lbFin / 11.3 Nm

The TST is ideal for a wide variety of torque testing applications up to 100 lbFin, including closure torque testing, fastener torque testing, and more. Smooth hand wheel operation ensures ease of use and a lever-operated slider with travel stops is provided for engaging and disengaging samples. The stand includes a torque loading table with tapped holes for grip mounting and a re-settleable angle indicator. Available in vertical and horizontal configurations.

Features:

- **Lever operated slider**
For simply and quickly engaging and disengaging samples.
- ▶ **Fixture mounting table with angle indicator**
Steel table with threaded holes. Analog angle indicator with resolution of 2° may be reset.
- ▶ **Optional digital angle indicator (TST001)**
Useful in torsion spring testing, bottle cap testing, catheter testing, and other applications.



Specifications - Torque Test Stands

Model	Torque capacity	Speed range	Controller features (cycling, PC control, etc.)	Angle indication	Programmable angle travel limits	Daylight* (w/R50 torque sensor) in [mm]
TST	100 lbFin [11.3 Nm]	12° / wheel rev. (manually operated)	N/A	Dial, optional digital angle display (no data output)	N/A	15.0 [381]
TSTH						16.0 [406]
TSTM-DC / TSTMH-DC		0.01 - 15 RPM [0.05 - 90°/s]	Included	Dial, integrated digital angle display with RS-232 output	Yes	16.0 [406]

* Column extensions are available to increase daylight.



Grips & Attachments

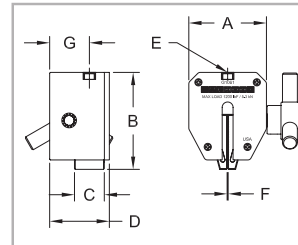
All dimensions shown as in [mm]

Tensile / Pull

Wedge grips

Heavy-duty grips designed for a range of tensile testing requirements up to 2,000 lbF [10 kN]. Self-tightening stainless steel serrated or rubber jaw faces engage the sample through a spring loaded knob and rack and pinion type mechanism. The jaws ride on rollers, eliminating jamming common in conventional wedge grips.

Model No.	A	B	C	D	E	F	G
G1061-1			0.375 [9.5]	0.95 [24.1]	5/16-18 UNC		0.62 [15.7]
G1061	1.95 [49.5]	2.45 [62.2]	0.75 [19.1]	1.50 [38.1]	5/16-18 UNC	0 - 0.25 [0 - 6.4]	1.00 [25.4]
G1061-2			1.00 [25.4]	1.75 [44.5]	1/2-20 UNC		1.13 [28.7]
G1061-3						0 - 0.20 [0 - 5.1]	



Model No.	Capacity lbF [N]	Weight lb [kg]	Jaw Material / Hardness	Included Adapters
G1061-1	200 [900]	0.50 [0.23]	416 SS / 55 RC	5/16-18M to #10-32F, #10-32 M/M stud*, 5/16-18 M/M stud*
G1061	1200 [5,300]	0.80 [0.36]		
G1061-2	2,000 [9,000]	0.90 [0.41]		
G1061-3	50 [250]		Neoprene rubber Durometer = 70	1/2-20M to 5/16-18F, 1/2-20 M/M stud*, 5/16-18 stud*



* Includes jam nuts

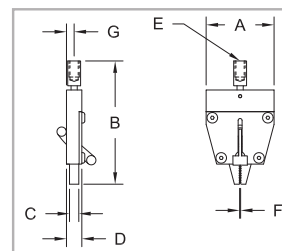
Miniature wedge grip

For general low force pull testing applications. The serrated, self tightening steel jaws are easily opened with a spring-loaded lever.

A	B	C	D	E	F	G
1.37 [34.8]	2.49 [63.1]	0.19 [4.8]	0.32 [8.1]	#10-32 UNF	0 - 0.09 [0 - 2.3]	0.15 [3.9]

Model No.	Capacity lbF [N]	Weight lb [kg]
G1062	100 [500]	0.08 [0.04]

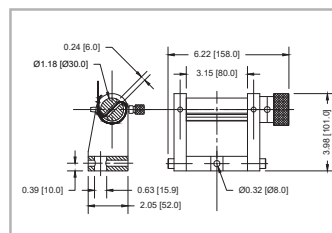
Includes a #10-32 M/M stud with jam nuts



Ribbon wrap grip

Secures textile webbing, tape, and braided materials typically used in construction, shipping, and other industrial uses. Integrated eye end.

Model No.	Capacity lbF [kN]	Weight lb [kg]
G1111	2,000 [10]	5.2 [2.4]



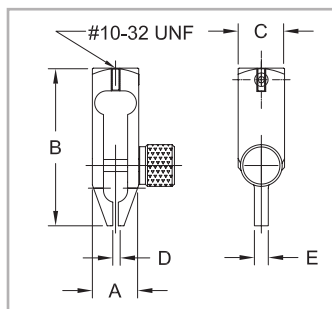


Miniature component grip

For testing small and hard-to-reach electronic and mechanical components. Slender profile allows this grip to be used in a wide range of applications.

Model No.	Capacity lbF [N]	Weight lb [kg]	A	B	C	D	E
G1003	30 [150]	0.05 [0.02]	0.5 [12.7]	1.7 [43.2]	0.5 [12.7]	0 - 0.07 [0 - 1.8]	0.15 [3.8]

Includes a #10-32 M/M stud with jam nuts

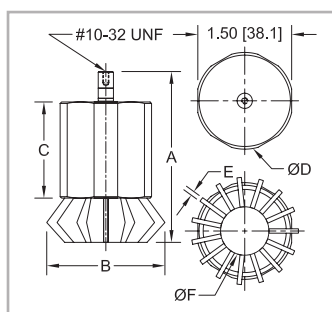


Multi-jaw grip

For gripping round or odd shaped items. Jaws expand and retract by rotating the housing.

Model No.	Cap. lbF [N]	Weight lb [kg]	ØA	B	C	ØD	E	ØF
G1056	100 [500]	0.30 [0.14]	3.50 [88.9]	2.30 [58.4] MAX	1.63 [41.4]	1.55 [39.4]	0.075 [1.91]	0.40 - 1.25 [10.2 - 31.7]

Includes a #10-32 M/M stud with jam nuts

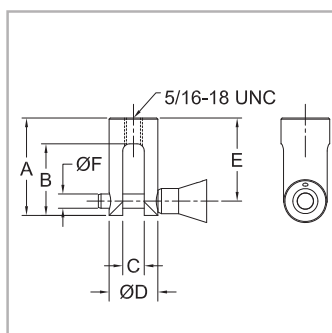


Clevis grip

This grip is designed for ergonomic assessment, spring testing, and other pull testing applications.

Model No.	Capacity lbF [N]	Weight lb [kg]	A	B	C	D	E	ØF
G1077	500 [2,500]	0.29 [0.13]	1.70 [43.2]	1.25 [31.8]	0.38 [9.7]	0.85 [21.6]	1.45 [36.8]	0.25 [6.3]

Includes a 5/16-18M to #10-32F thread adapter, 5/16-18 M/M stud with jam nuts, and #10-32 M/M stud with jam nuts

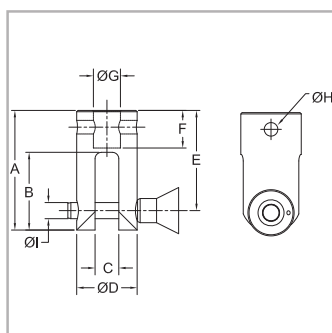


High capacity clevis grip

This high capacity grip is designed for spring testing and pulling testing applications. Integrated eye end.

Model No.	Capacity lbF [kN]	Weight lb [kg]
G1090	2,000 [9]	0.78 [0.35]

A	B	C	ØD	E	F	ØG	ØH	ØI
2.77 [70.4]	1.80 [45.7]	0.55 [14.0]	1.40 [35.6]	2.32 [58.9]	0.87 [22.1]	0.63 [15.9]	0.32 [8.0]	0.38 [9.7]





Grips & Attachments

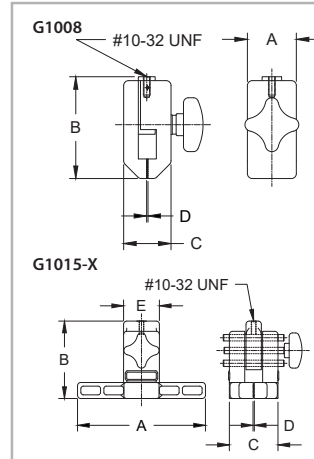
Packaging / Peel / Friction

Film and paper grips

For gripping film, paper, and other thin materials for tensile and peel testing. Adjustable serrated interlocking jaws grip the sample securely.

Model No.	Capacity lbF [N]	Weight lb [kg]	A	B	C	D
G1008	100 [500]	0.39 [0.18]	1.25 [31.8]	2.50 [63.5]	1.2 [30.5]	0 - 0.15 [0 - 3.8]
G1015-1		0.65 [0.29]	3.00 [76.2]			
G1015-2		0.80 [0.36]	5.00 [127.0]	3.00 [76.2]	1.90 [48.3]	0 - 0.50 [0 - 12.7]
G1015-3		0.90 [0.41]	7.00 [177.8]			

Includes a #10-32 M/M stud with jam nuts



Pneumatic film and paper grip

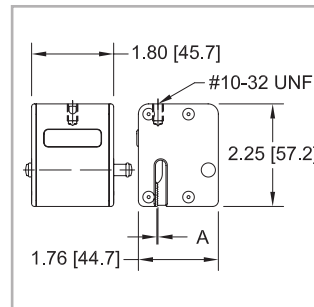
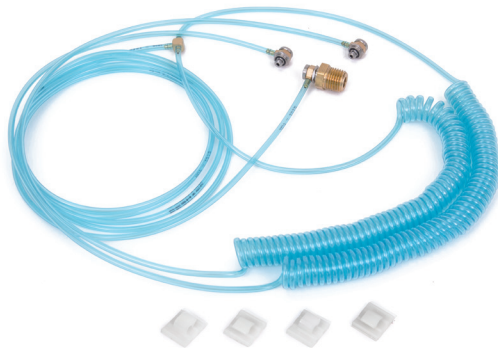
Fully enclosed, air-powered grip for seal strength testing of packaging, elongation testing of various materials, and other tensile testing requirements. Serrated interlocking jaws effectively grip samples for up to 100 lbF of force. The grip features a unique integrated open/close valve for quick sample engagement and disengagement. An air connection kit, consisting of tubing and fittings needed to connect two grips, is available separately. A membrane repair kit is also available. See below.

Model No.	Capacity	Weight lb [kg]	Max. pressure PSI (MPa)	Air input thread	A
G1046	100 lbF [500 N] at 100 PSI [0.86 MPa]	0.58 [0.26]	125 [0.86]	#10-32 UNF	0 - 0.13 [0 - 3.3]

Includes a #10-32 M/M stud with jam nuts, one spare rubber membrane*, one alcohol wipe, and two cotton swabs

The optional air connection kit includes:

- Coiled tubing, 1/8" OD, 1/16" ID, 8" retracted length (qty. 2)
- Y-splitter (qty. 1)
- Straight tubing, 1/8" OD, 1/16" ID, 5' length (qty. 1)
- Elbow fitting, tubing termination (qty. 2)
- Elbow fitting, tubing to #10-32M (qty. 1)
- Thread adapter, #10-32F to 1/4" NPT M (qty. 1)
- Adhesive-backed guide (qty. 4)



The optional maintenance kit* includes:

1. Rubber membrane (qty. 5)
2. Alcohol wipe (qty. 5)
3. Cotton swab (qty. 12)
4. Wrench set

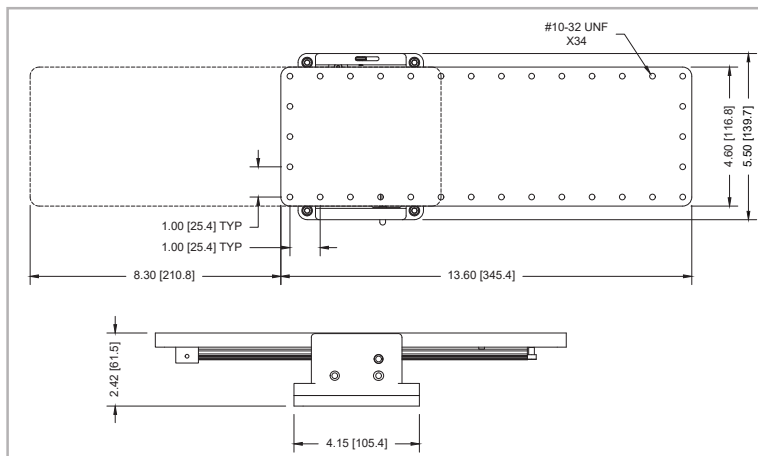
Model No.	Description
AC1019	Air connection kit for G1046
AC1044*	Maintenance kit for G1046*

* The flexible internal membrane actuating the movable jaw has a variable life expectancy dependent upon the maximum air pressure used and the quality of the compressed air. It should be free from impurities, solvents and oils. Since field conditions are outside of Mark-10's control, the standard 3-year warranty does not apply to the flexible membrane. For convenience, a spare membrane and alcohol wipe is included with every new grip. A membrane repair kit may be purchased from Mark-10.



90° peel fixture

For testing adhesive strength of tapes, films, and packaging. Maintains a 90° angle between the table and direction of pull. An integrated limit switch automatically stops the motion of a models ESM303, ESM750, and ESM1500 motorized test stands when the work table has reached its end of travel. Optional adjustable angle accessories are available.

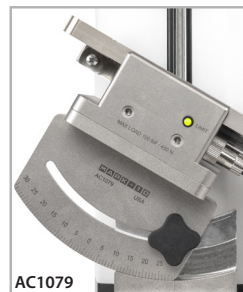


Model No.	Description	Capacity lbF [N]	Weight lb [kg]
G1109	90° peel fixture	100 [500]	6.0 [2.7]
AC1078	Adjustable angle pulley adapter	30 [150]	1.4 [0.6]
AC1079	Adjustable angle mount	100 [500]	1.7 [0.8]
AC1080	Adapter, G1023 / G1058 grip to G1109	-	-
AC1087	Adapter, G1109 to ESM750 / ESM1500	-	-

G1109 is compatible with the ESM303, ESM750, and ESM1500 motorized test stands only.



AC1078



AC1079



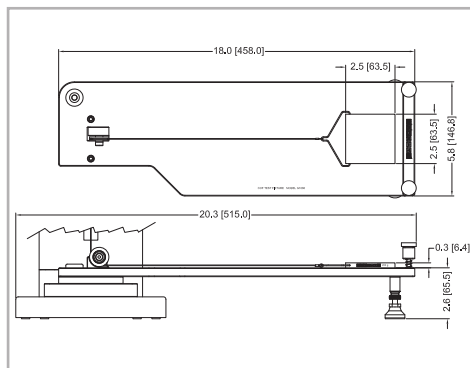
AC1080

Coefficient of friction fixture

For determining friction properties of paper, film, and other thin flexible materials. Conforms to ASTM D1894 and other relevant standards. Includes work table, 200 g sled, cable, and low-friction pulley. Static and kinetic coefficients can be measured using the M5-2-COF gauge.

Model No.	Description
G1086	Coefficient of friction fixture

Includes mounting hardware and adapters to mount to the ESM303 test stand. Recommended for use with a motorized test stand.





Grips & Attachments

Score bending fixture

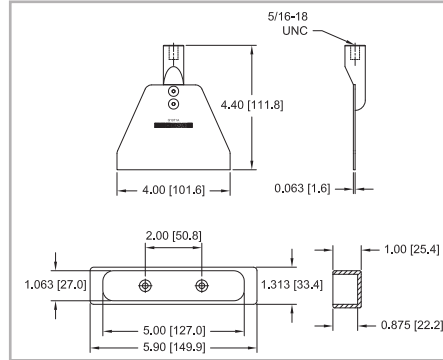
Used to produce a 90° bend in fiber board materials and plastics to conform to TAPPI standard T829. Set of upper and lower dies.

Model No.	Capacity lbF [N]	Weight lb [kg]
G1071	50 [250]	Upper die: 0.15 [0.67] Lower die: 0.30 [0.14]

Upper die includes a 5/16-18M to #10-32F thread adapter and #10-32 M/M stud with jam nuts.

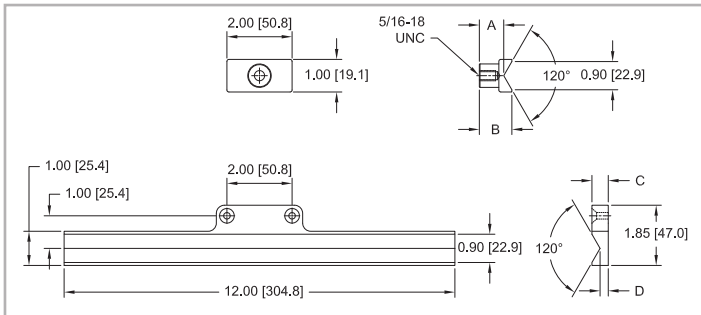
Lower die includes mounting hardware for the following test stands: ESM303, ESM1500/750 (w/AC1055 plate), ES30, TSC1000, TSF, ES10/ES20 (w/AC1060 plate).

Recommended for use with a motorized test stand.



Opening force fixture

Used to determine the opening force of flat folded cartons along score lines. Set of upper and lower dies.



Model No.	Capacity lbF [N]	Weight lb [kg]	A	B	C	D
G1072	50 [250]	Upper die: 0.06 [0.03] Lower die: 0.10 [0.05]	0.75 [19.1]	1.00 [25.4]	0.50 [12.7]	0.25 [6.4]

Upper die includes a 5/16-18M to #10-32F thread adapter and #10-32 M/M stud with jam nuts.

Lower die includes mounting hardware for the following test stands: ESM303, ESM1500/750 (w/AC1055 plate), ES30, TSC1000, TSF, ES10/ES20 (w/AC1060 plate). Recommended for use with a motorized test stand.

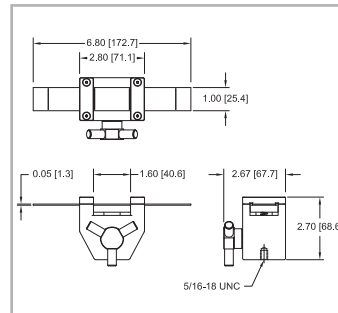
Loop tack fixture

Designed for tack force testing of pressure-sensitive adhesives, in conformance with ASTM D6195 and related standards. A looped sample is loaded onto the test strip, and the closed end of the loop is secured by an upper grip (not included - suggested model: G1008, pictured below). The test strip may be indexed in three positions, allowing for three tests to be performed between cleaning cycles.

Model No.	Capacity lbF [N]	Weight* lb [kg]	Test strip material
G1098	100 [500]	1.10 [0.5]	T304 SS, per ASTM A666

* Including one test strip

Includes a 5/16-18 M/M stud with jam nuts.



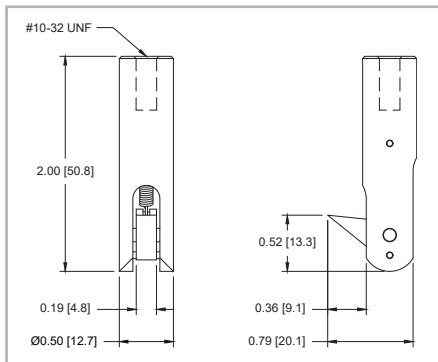


Flip cap pull grip

Designed to engage the tab on a flip cap for pull-off force measurements. A spring-loaded hook retracts as it is lowered into the starting position, then snaps into place below the tab.

Model No.	Capacity lbF [N]	Weight lb [kg]
G1104	20 lbF [100 N]	0.10 lb [0.04 kg]

Includes a #10-32 M/M stud with jam nuts

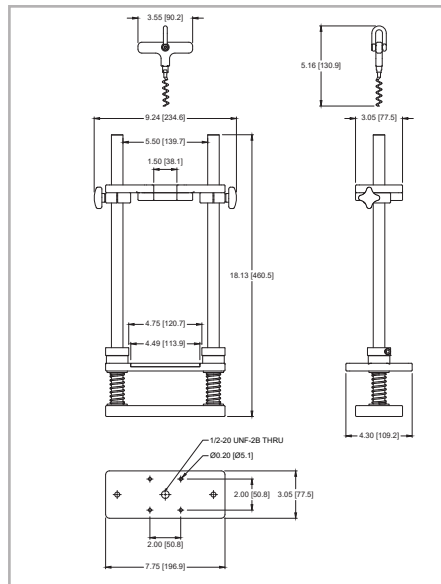


Cork pull fixture

Designed to extract a cork stopper from a bottle for pull force measurements, in conformance with ISO 9727.

Model No.	Capacity lbF [N]	Weight lb [kg]
G1105	200 lbF [1000 N]	9.5 lb [4.3 kg]

Includes a G1035 large hook, G1018-2 swivel adapter, and test stand mounting hardware. Recommended for use with a motorized test stand.





Grips & Attachments

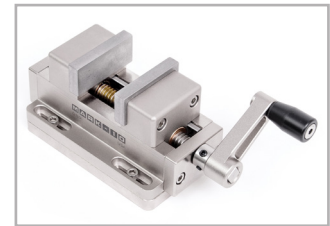
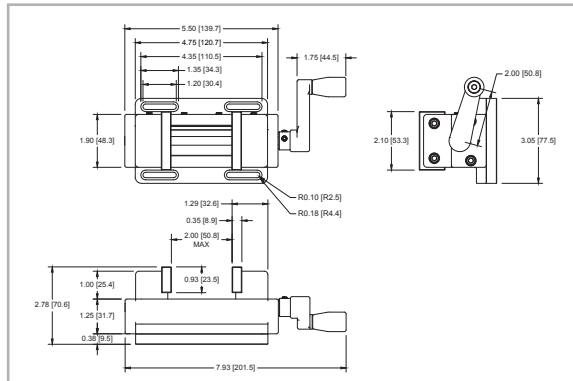
Vise / Parallel Jaw

Vise grip, self-centering

General purpose vise, for a wide range of tension and compression testing applications. Self-centering, replaceable jaws can be field-modified to improve sample gripping characteristics.

Model No.	Capacity lbF [N]	Weight lb [kg]
G1106	500 [2,500]	3.00 [1.36]

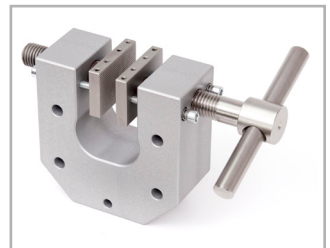
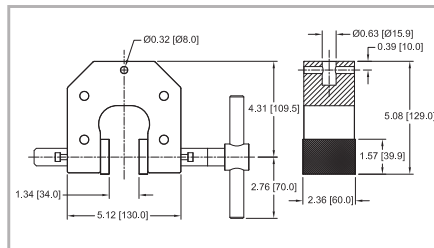
Includes mounting hardware and adapters to mount to the following test stands: ESM303, ESM1500/750 (w/AC1055 plate), ES30, TSC1000, TSF, ES10/ES20 (w/AC1060 plate).



Parallel jaw / vise-action grip, large

For general tensile and pull testing applications. Includes an adjustable stop to ensure consistent sample placement. Integrated eye end.

Model No.	Capacity lbF [kN]	Weight lb [kg]	Housing Material	Jaw Material
G1100	2,000 [9 k]	5.9 lb [2.7]	Aluminum	Hardened steel, 58 RC



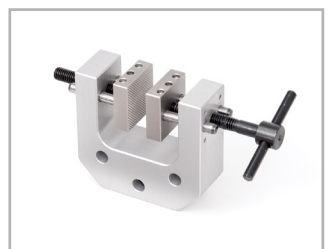
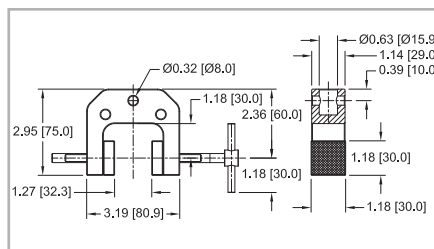
3.94 in [100.0 mm] extended length jaws are available. See website for details.

Parallel jaw / vise-action grip, medium

For general tensile and pull testing applications. Integrated eye end.

Model No.	Capacity lbF [N]	Weight lb [kg]	Housing Material	Jaw Material
G1101	200 [1,000]	1.0 lb [0.5]	Aluminum	Hardened steel, 58 RC

Extended length jaws are available: 1.97 in [50.0 mm], 3.15 in [80.0 mm], 3.94 in [100.0 mm]. See website for details.



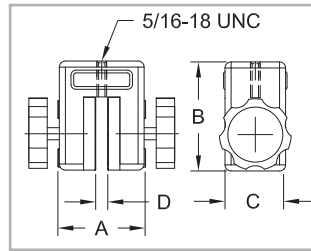


Parallel jaw / vise-action grip

For general tensile and pull testing applications.

Model No.	Capacity lbF [N]	Weight lb [kg]	A	B	C	D
G1013	200 [1,000]	0.65 [0.29]	1.75 [44.5]	2.25 [57.2]	1.25 [31.8]	0 - 0.25 [0 - 6.3]

Includes a 5/16-18M to #10-32F adapter and #10-32 M/M stud with jam nuts



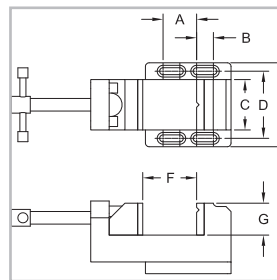
Vise grip, standard

General purpose vise, for a wide range of tension and compression testing applications.

Model No.	Capacity lbF [N]	Weight lb [kg]
G1074	500 [2,500]	2.0 [0.9]

A	B	C	D	E	F	G
1.00 [25.4]	0.50 [12.7]	1.50 [38.1]	2.00 [50.8]	2.50 [63.5]	0 - 1.50 [0 - 38.1]	1.00 [25.4]

Includes mounting hardware and adapters to mount to the following test stands: ESM303, ESM1500/750 (w/AC1055 plate), ES30, TSC1000, TSF, ES10/ES20 (w/AC1060 plate)





Grips & Attachments

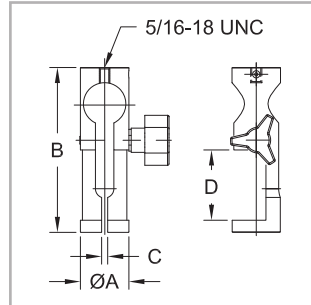
Wire / Rope / Yarn / Tubing

Wire terminal grips

For securing wire terminals, cables, connectors, and other samples for pull testing.

Model No.	Capacity lbF [N]	Weight lb [kg]	ØA	B	C	D
G1001	200 [1,000]	0.29 [0.13]	1.00 [25.4]	3.40 [86.4]	0 - 0.125 [0 - 3.1]	1.45 [36.8]
G1001-1					0.125 - 0.25 [3.1 - 6.3]	
G1001-2					0.25 - 0.375 [6.3 - 9.5]	

Includes a 5/16-18M to #10-32F adapter and #10-32 M/M stud with jam nuts

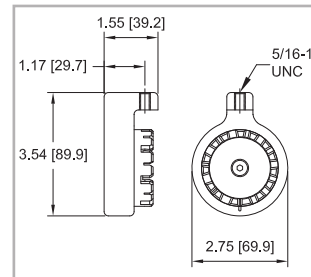


Wire terminal grip, turret style

For securing wire terminals, cables, connectors, and other samples for pull testing. Indexing wheel contains grooves of varying widths to accommodate a wide range of sample shapes and sizes.

Model No.	Capacity lbF [N]	Groove Widths	Weight lb [kg]
G1076	500 [2,500]	0.03 [0.7], 0.04 [1.0], 0.06 [1.5], 0.08 [2.0], 0.09 [2.3], 0.11 [2.8], 0.12 [3.0], 0.14 [3.5], 0.15 [3.8], 0.17 [4.3], 0.18 [4.5], 0.20 [5.1], 0.21 [5.3], 0.23 [5.8], 0.25 [6.3]	1.00 [0.45]

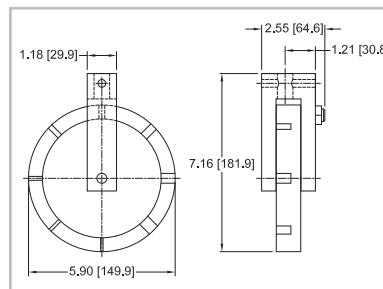
Includes a 5/16-18M to #10-32F adapter and #10-32 M/M stud with jam nuts



High capacity wire terminal grip

For securing wire terminals, cables, connectors, and other samples for pull testing. Indexing wheel contains grooves of varying widths to accommodate a wide range of sample shapes and sizes. Integrated eye end.

Model No.	Capacity lbF [kN]	Groove Widths	Weight lb [kg]
G1093	2,000 [9]	0.08 [2.0], 0.12 [3.0], 0.16 [4.0], 0.20 [5.0], 0.24 [6.0], 0.31 [8.0], 0.39 [10.0], 0.46 [11.8]	6.4 [2.9]





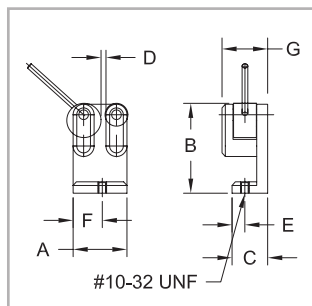
Dual roller grips

For securing the ends of wire, cable, and tubing samples for pull testing. Engaging and disengaging samples is quick and easy via an efficient cam design and convenient side slot for sample insertion. Serrated steel rollers produce effective gripping characteristics.

Model No.	Capacity lbF [N]	Weight lb [kg]
G1002	200 [1,000]	0.19 [0.09]
G1002-1		0.24 [0.11]

Model No.	A	B	C	D	E	F	G
G1002	1.18 [30.0]	2.00 [50.8]	0.75 [19.1]	0 - 0.25 [0 - 6.3]	0.22 [5.6]	0.64 [16.5]	1.0 [25.4]
G1002-1	1.30 [33.0]			0.10 - 0.34 [2.5 - 8.6]			

Includes a #10-32 M/M stud with jam nuts



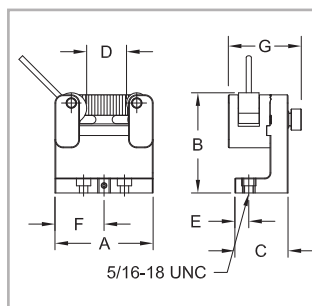
Adjustable dual roller grip

For securing tubing, cables, and odd shaped samples for pull testing applications. Engaging and disengaging samples is quick and easy, with a side slot for sample insertion and serrated steel rollers. Rollers can be repositioned as required for the application.

Model No.	Capacity lbF [N]	Weight lb [kg]
G1085	500 [2,500]	0.51 [0.23]

Model No.	A	B	C	D	E	F	G
G1085	2.40 [61.0]	2.45 [62.2]	1.30 [33.0]	0 - 1.00 [0 - 25.4]	0.34 [8.6]	1.20 [30.5]	1.78 [45.3]

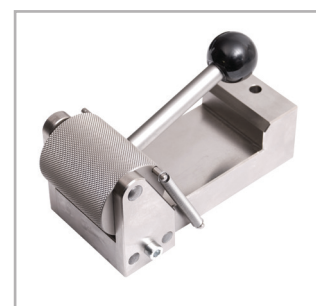
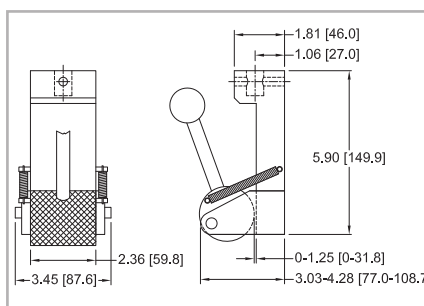
Includes a 5/16-18 M/M stud with jam nuts



High capacity eccentric roller grip

Features a serrated cam for effectively securing wires, plastics, textiles, and other materials in pull testing applications. Integrated eye end.

Model No.	Capacity lbF [kN]	Weight lb [kg]
G1094	2,000 [9]	7.4 [3.4]





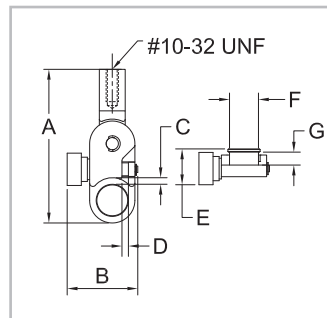
Grips & Attachments

Miniature filament grip

For securing small diameter wires and filaments. The sample wraps around the bollard and the loose end is secured by the adjustable jaw. Integrated swivel ensures sample alignment under load.

Model No.	Cap. lbF [N]	Weight lb [kg]	A	B	C	D	E	F	G
G1078	50 [250]	0.06 [0.03]	2.38 [60.4]	1.09 [27.7]	0.10 [2.5]	0.10 [2.5]	0.55 [14.1]	Ø0.45 [11.4]	0.20 [5.1]

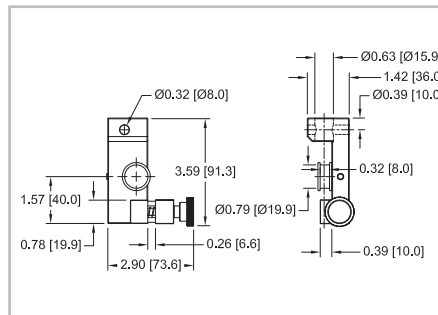
Includes #10-32 M/M stud with jam nuts



Wire / rope grip, medium

For securing wire and rope. The sample wraps around the bollard and the loose end is secured by the adjustable rubber-faced jaw. Integrated eye end.

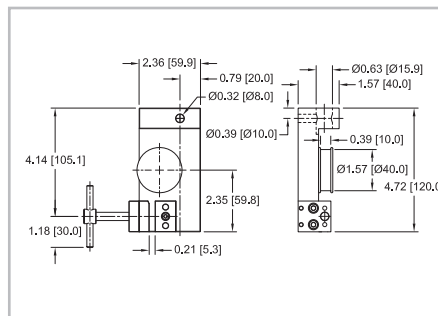
Model No.	Capacity lbF [N]	Weight lb [kg]
G1103	200 [1,000]	0.6 [0.6]



Wire / rope grip, large

For securing wire and rope. The sample wraps around the bollard and the loose end is secured by an adjustable jaw. Integrated eye end.

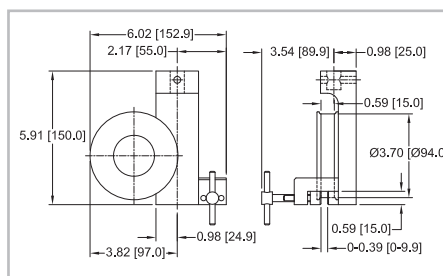
Model No.	Capacity lbF [N]	Weight lb [kg]
G1102	1,000 [5,000]	1.8 [0.8]



Wire / rope grip, high capacity

For high capacity wire and rope pull testing applications. Secures the free end of the sample via a bollard and vise. Integrated eye end.

Model No.	Capacity lbF [kN]	Weight lb [kg]
G1092	2,000 [9]	6.0 [2.7]





Compression / Push / Bend

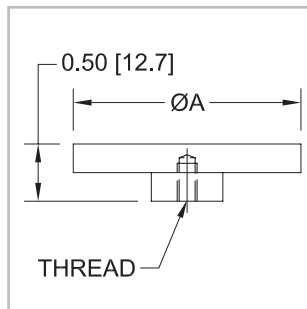
Compression plates

For compressing springs, foams, cartons, aerosol cans, and many other products.

Model No.	Cap. lbF [N]	Weight lb [kg]	ØA	Thread	Material
G1009	200 [1,000]	0.08 [0.04]	2.0 [51.0]	#10-32 UNF	Aluminum
G1009-1	500 [2,500]	0.27 [0.12]	3.0 [76.2]	5/16-18 UNC	

G1009 includes a #10-32 M/M stud with jam nuts

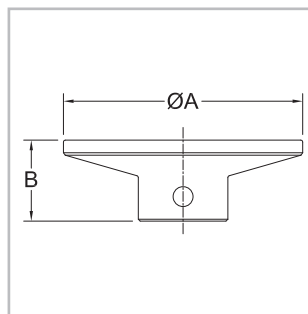
G1009-1 includes a 5/16-18M/M stud with jam nuts



High capacity compression plates

For compression spring testing, top load testing, and other applications. Integrated eye end.

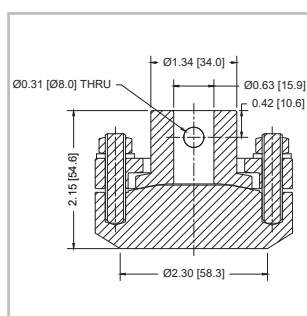
Model No.	Capacity lbF [kN]	Weight lb [kg]	ØA	B	Material
G1087	2,000 [9]	1.50 [55.9]	3.78 [96.0]	1.28 [32.5]	303 SS
G1087-1	2,000 [9]	0.63 [0.29]	2.20 [55.9]	1.18 [30.0]	



Self-aligning compression plate

This self-aligning compression plate adjusts to the angle of the sample via four adjustable screws and nuts. Ideal for ensuring parallelism and complete sample engagement, particularly for low-deflection springs and other materials with high spring rates. Integrated eye end. Eye end adapters are available to adapt to Mark-10 load cells, force gauges, and test stands.

Model No.	Capacity lbF [kN]	Weight lb [kg]	Material
G1123	2.80 [1.27]	2.80 [1.27]	Steel 58 HRC, nickel-plated

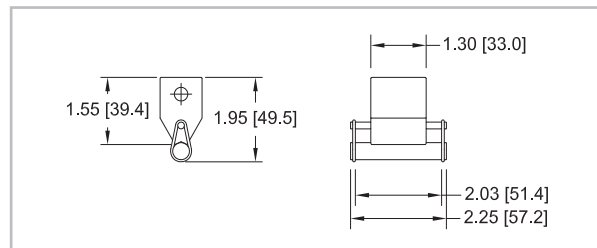
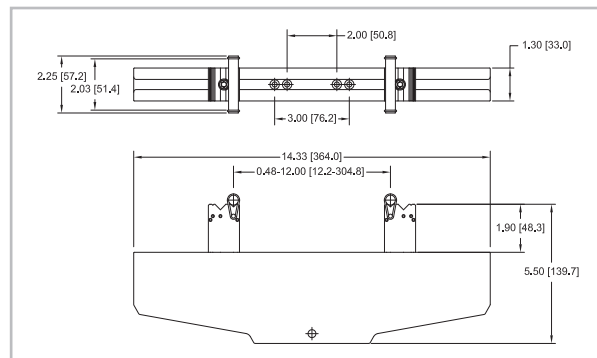
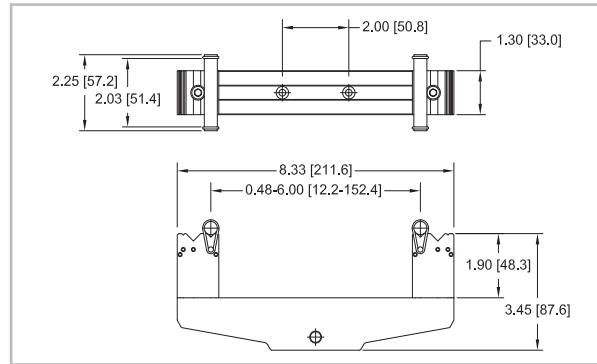




Grips & Attachments

Bend fixtures

Family of fixtures for 3-point and 4-point bend testing of plastics, metals, ceramics, tubing, and many other materials. Two base sizes are available, along with an upper anvil, and optional roller diameters. Use a base-anvil combination for 3-point bend testing or two bases for 4-point bend testing.



Model No.	Capacity lbF [kN]	Weight lb [kg]	Housing material	Block material	Roller material	Includes
G1095	500 [2.5]	3.0 [1.3]	2024 Al	303 SS	416 SS, hardened	Two 10 mm dia. rollers and o-rings
G1096	2,000 [10]	7.1 [3.2]	2024 Al	303 SS	416 SS, hardened	Two 10 mm dia. rollers and o-rings
G1097	2,000 [10]	0.5 [0.2]	303 SS	-	416 SS, hardened	10 mm. dia. roller and o-rings

Includes mounting hardware to mount to the following test stands: ESM303, ESM1500/750 (w/AC1055 plate), ES30, TSC1000, TSF, ES10/ES20 (w/AC1060 plate). May also be mounted via integrated eye end.

Optional Items

Model No.	Description
AC1067	Rollers for bend fixtures, 1 mm dia., set of 4
AC1067-1	Rollers for bend fixtures, 2 mm dia., set of 4
AC1067-2	Rollers for bend fixtures, 5 mm dia., set of 4



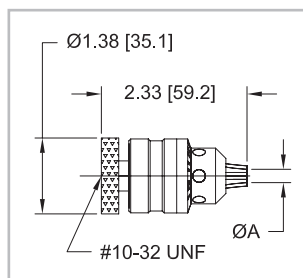


Jacobs chuck pin vises

For securing pins, round samples, and fixtures.

Model No.	Capacity lbF [N]	Weight lb [kg]	ØA
G1010	30 lbF [150 N]	0.35 [0.16]	0.062 - 0.375 [1.6 - 9.5]
G1010-1		0.25 [0.11]	0.028 - 0.25 [0.7 - 6.3]
G1010-2		0.66 [0.30]	0.078 - 0.5 [2.0 - 12.7]

Includes a #10-32 M/M stud with jam nuts

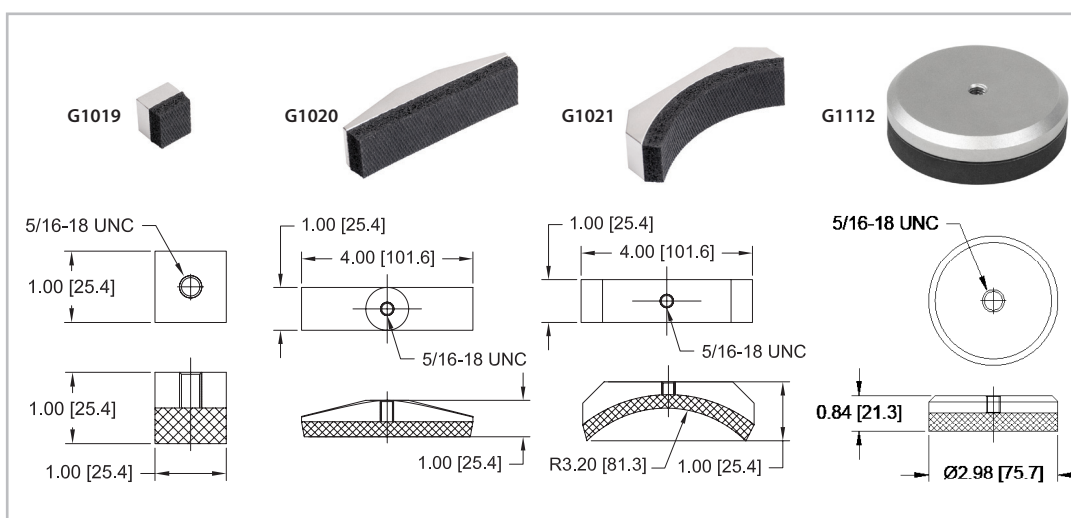


Padded attachments

For applications in physical therapy and ergonomics, including muscle strength testing, job task requirements, and more.

Model No.	Capacity lbF [N]	Weight lb [kg]
G1019	500 [2,500]	0.03 [0.01]
G1020	500 [2,500]	0.13 [0.06]
G1021	500 [2,500]	0.25 [0.11]
G1112	500 [2,500]	0.28 [0.13]

Includes a 5/16-18M to #10-32F thread adapter, 5/16-18 jam nut, and #10-32 jam nut.

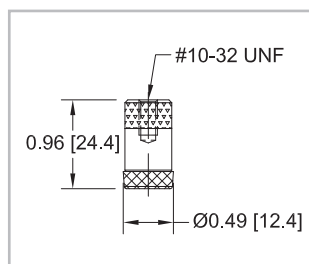


Rubber tip

Simulates a finger for testing pushbuttons, membrane switches, touch-screen panels, keyboards, etc.

Model No.	Capacity lbF [N]	Weight lb [kg]
G1011	50 [250]	0.01 [0.004]

Includes a #10-32 M/M stud with jam nuts





Grips & Attachments

Syringe compression fixture

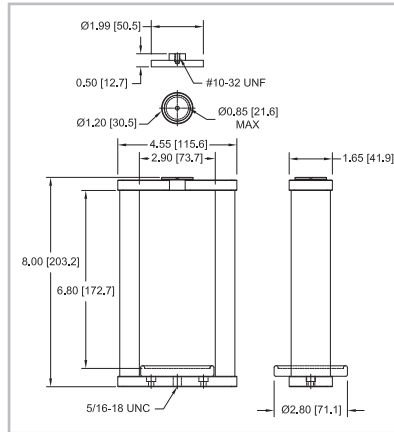
For testing compression force of a syringe plunger, as per ISO 7886-1 and other relevant standards.

Consists of:

1. Frame
2. Replaceable blank inserts (4)
3. Cup tray
4. G1009 compression plate

Model No.	Capacity lbF [N]	Weight lb [kg]
G1089	100 [500]	1.89 [0.86]

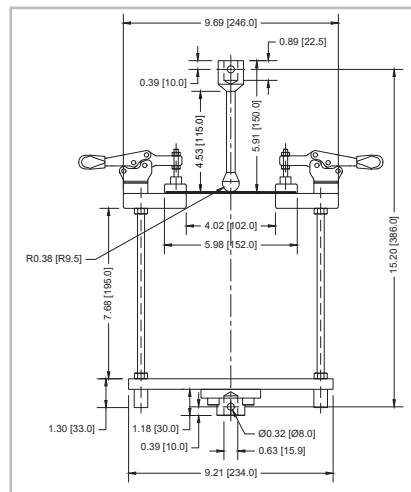
Includes 5/16-18 M/M stud with jam nuts



Puncture fixture

For determining puncture resistance of plastic films and other thin materials. Includes fixture and probe. Integrated eye end.

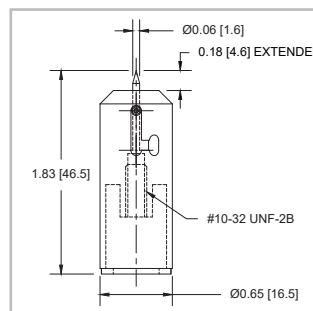
Model No.	Capacity lbF [kN]	Weight lb [kg]
G1110	1,000 [5]	Fixture: 19.0 [8.6] Probe: 0.4 [0.2]



Puncture fixture G1099

For determining puncture resistance of gypsum board and other materials.

Model No.	Capacity lbF [N]	Weight lb [kg]
G1099	20 [100]	0.04 [0.02]





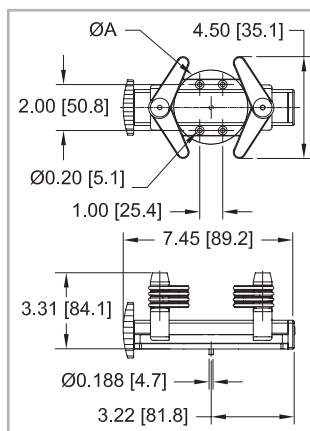
Torque / Force

Universal bottle grip

For gripping bottles and containers in closure torque testing applications. Eight rubber edged gripping arms secure a wide range of sample shapes and sizes and may be individually positioned at angles up to 180°. Mounts directly to Series TST torque test stands, most force test stands, and G1045 90° peel fixture for applications such as top load testing and 90° peel testing.

Model No.	Capacity lbFin [Nm]	Weight lb [kg]	ØA
G1023	100 [11.3]	1.50 [0.7]	4.80 [122.0] MAX

Model No.	Description
G1068	Adapter, G1023 to force test stand / G1045 fixture



G1023 includes mounting hardware for Series TST test stands or G1068 adapter.

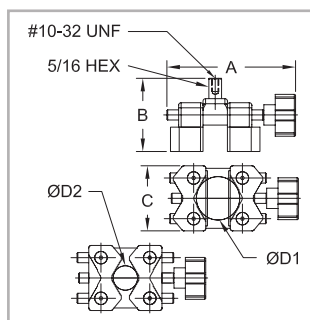
G1068 includes mounting hardware for the G1023 fixture and the following test stands: ESM303, ESM1500/750 (w/AC1055 plate), ES30, TSC1000, TSF, ES10/ES20 (w/AC1060 plate)

Universal V-jaw grip

For gripping round objects. Serrated, reversible aluminum jaws effectively grip a wide range of sample shapes and sizes. Mounts directly to Jacobs chucks, force gauges, and test stands.

Model No.	Torque Capacity lbFin [Nm]	Force Capacity lbF [N]	Weight lb [kg]
G1053	100 [11.3]	100 [500]	0.40 [0.18]

A	B	C	ØD1*	ØD2*
3.1 [78.7]	1.77 [45.0]	1.6 [40.6]	1.10 - 1.55 [27.9 - 39.4]	0.65 - 1.10 [16.5 - 27.9]



* Reverse the jaws to switch from ØD1 to ØD2
Includes a #10-32 M/M stud with jam nuts

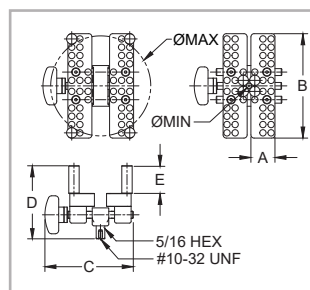
Universal cap grip

For securing caps, lids, and other similar items for torque and pull testing. Accommodates a wide range of sample sizes, and can be used manually with a torque gauge or mounted to a test stand.

Model No.	Capacity	Weight lb [kg]
G1058	100 lbFin [11.3 Nm] or 50 lbF [250 N]	0.65 [0.29]

A	B	C	D	E	ØMIN - ØMAX
0.9 [22.9]	3.8 [96.5]	3.2 [81.3]	2.8 [71.1]	1.0 [25.4]	0.20 - 3.50 [5.1 - 89.0]

Includes #10-32 M/M stud with jam nuts





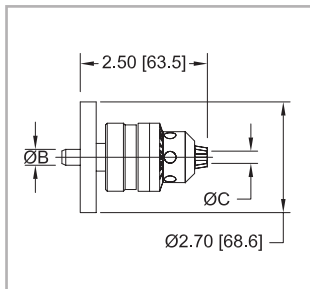
Grips & Attachments

Jacobs chuck grips

For securing round samples, fixtures, or bits in torque applications.

Model No.	Capacity lbF [N]	Weight lb [kg]	ØA	ØB	ØC
G1022-1	100 lbFin [11.3 Nm]	0.50 [0.23]	N/A	0.188 [4.7]	0.028 - 0.250 [0.7 - 6.3]
G1022-2					0.062 - 0.375 [1.6 - 9.5]
G1022-3					0.078 - 0.500 [2 - 12.7]

Includes mounting hardware for Series TST torque test stands

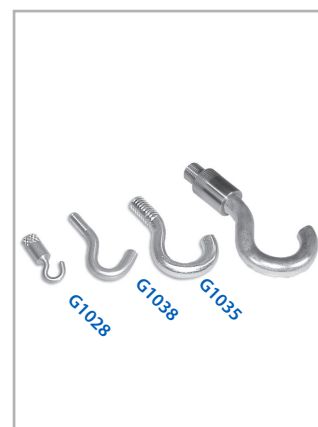
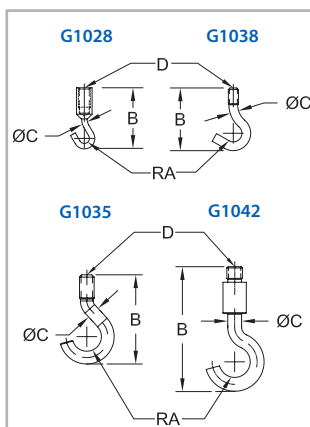


Basic Attachments and Adapters

Hooks

For general pull testing applications.

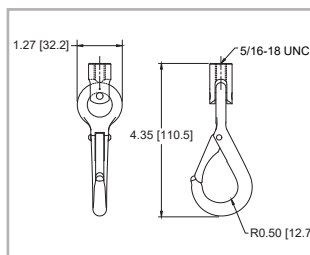
Model No.	Capacity lbF [N]	Weight	RA	B	ØC	D
G1028	20 [100]	0.010 [0.005]	0.05 [1.3]	1.00 [25.4]	0.10 [2.5]	#10-32F
G1038	200 [1,000]	0.020 [0.009]	0.20 [5.1]	1.50 [38.1]	0.19 [4.8]	#10-32M
G1035	500 [2,500]	0.050 [0.023]	0.30 [7.6]	1.90 [48.3]	0.28 [7.1]	5/16-18M
G1042	1,000 [4500]	0.320 [0.145]	0.5 [12.7]	4.10 [104.1]	0.45 [11.4]	1/2-20M



Snap hook

For general pull testing applications. Features a snap clasp, for added safety in pull testing applications. Swiveling action ensures proper alignment.

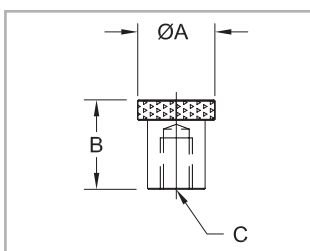
Model No.	Capacity lbF [N]	Weight lb [kg]
G1107	500 [2,500]	0.3 [0.14]



Flat heads

For compression testing of buttons, small springs, membrane switches, etc.

Model No.	Capacity lbF [N]	Weight lb [kg]	ØA	B	C
G1029	200 [1,000]	0.01 [0.005]	0.5 [12.7]	0.5 [12.7]	#10-32F
G1036	500 [2,500]	0.06 [0.027]	0.75 [19.1]	0.87 [22.1]	5/16-18F

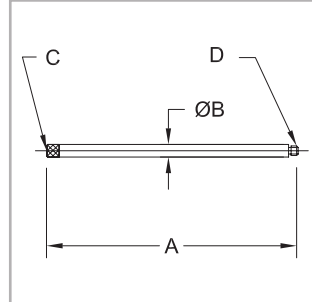




Extension rods

For use between force gauges, grips, and attachments. Suitable for tension and compression applications.

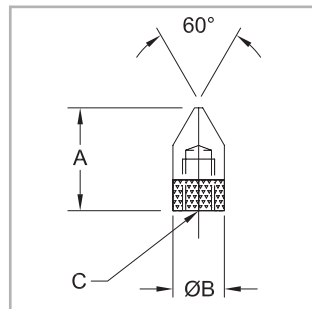
Model No.	Capacity lbF [N]	Weight lb [kg]	A	ØB	C	D
G1024	200 [1,000]	0.05 [0.023]	5.0 [127.0]	0.25 [6.4]	#10-32F	#10-32M
G1024-1		0.02 [0.009]	2.0 [50.8]			
G1024-2		0.01 [0.005]	1.0 [25.4]			
G1031	500 [2,500]	0.25 [0.113]	5.0 [127.0]	0.50 [12.7]	5/16-18F	5/16-18M
G1031-1		0.10 [0.045]	2.0 [50.8]			
G1031-2		0.25 [0.113]	1.0 [25.4]			



Chisel points

For compression testing applications.

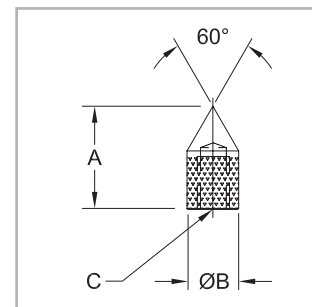
Model No.	Capacity lbF [N]	Weight lb [kg]	A	ØB	C
G1025	200 [1,000]	0.003 [0.001]	0.50 [12.7]	0.25 [6.4]	#10-32F
G1032	500 [2,500]	0.040 [0.018]	1.00 [25.4]	0.50 [12.7]	5/16-18F



Cone points

For various compression and puncture testing applications.

Model No.	Capacity lbF [N]	Weight lb [kg]	A	ØB	C
G1026	200 [1,000]	0.003 [0.001]	0.50 [12.7]	0.25 [6.4]	#10-32F
G1033	500 [2,500]	0.030 [0.014]	1.00 [25.4]	0.50 [12.7]	5/16-18F



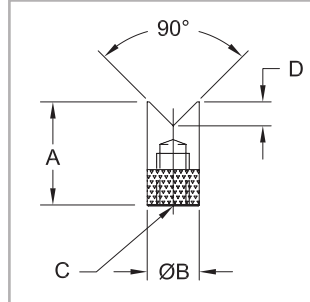


Grips & Attachments

V-grooves

For compression testing of round or odd-shaped samples.

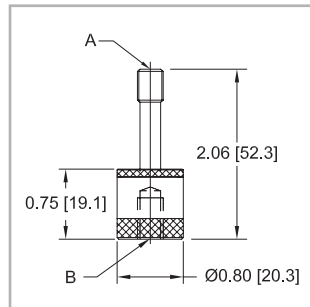
Model No.	Capacity lbF [N]	Weight lb [kg]	A	ØB	C	D
G1027	200 [1,000]	0.004 [0.002]	0.50 [12.7]	0.25 [6.4]	#10-32F	0.08 [2.0]
G1034	500 [2,500]	0.040 [0.018]	1.00 [25.4]	0.50 [12.7]	5/16-18F	0.25 [6.4]



Swivel adapters




For use between grips and force gauges to provide a swiveling action for proper sample alignment.

Model No.	Capacity lbF [N]	Weight lb [kg]	A	B
G1018-1	200 [1,000]	0.12 [0.05]	#10-32M	#10-32F
G1018-2	500 [2,500]	0.27 [0.12]	5/16-18M	5/16-18F



Studs & jam nuts

For use between test stands, grips, and attachments.

	Model No.	Capacity lbF [N]	Thread	Length
	AC 1082	100 [500]	#10-32M	0.75 [19.1]
	AC 1082-1	500 [2,500]	5/16-18M	1.00 [25.4]
	AC 1082-2	2,000 [9,000]	1/2-20M	1.50 [38.1]



Thread adapters & couplings

For use between gauges, load cells, test stands grips, and attachments.
Suitable for tension and compression applications.

	Model No.	Capacity lbF [N]	Length In [cm]	Thread A	Thread B
	G1050	100 [500]	0.75 [19.1]	#4-40M	#10-32F
	G1051		0.55 [14.0]	#4-40M	#10-32M
	G1039	200 [1,000]	0.75 [19.1]	#10-32F	#10-32F
	G1030		0.50 [12.7]	5/16-18M	#10-32F
	G1057		1.00 [25.4]	#10-32F	M6F
	G1060		0.50 [12.7]	#10-32M	#10-32M
	G1047		0.75 [19.1]	#10-32M	M4F
	G1048		0.75 [19.1]	M4M	#10-32F
	G1054		0.75 [19.1]	M6M	#10-32F
	G1063		1.30 [33.0]	#10-32M	5/16-18F
	G1040		0.92 [23.4]	5/16-18M	5/16-18M
	G1037		1.00 [25.4]	5/16-18F	5/16-18F
	G1049	1.25 [31.8]	M6M	5/16-18F	
	G1059	500 [2,500]	1.13 [28.7]	5/16-18F	1/2-20F
	G1041		1.06 [26.9]	1/2-20M	5/16-18M
	G1066		0.75 [19.1]	5/16-18F	1/2-20M
	G1067		0.75 [19.1]	1/2-20M	10-32F
	G1069		1.25 [31.8]	5/16-18F	1/4-28M
	G1091		1.30 [33.0]	1/2-20F	1/2-20F
	G1044	1,000 [5,000]	Adapter plate, 1/2-20F. Compatible with the following test stands: ESM303, ESM1500 (w/AC1055 plate), TSF, TSB100, TSC1000, and ES10/ES20 (w/AC1060 plate). Mounting hardware included.		



Grips & Attachments



Eye end adapters

These adapters provide a commonly accepted industry method of attaching fixtures to load cells and test frames. They prevent grip rotation and allow for quick removal and installation.

Several thread sizes and variations are available to suit most common test frames, load cells, grips, and force gauges. Eye ends and adapters are available individually or as kits.

◀ Eye ends and adapters are shown with Mark-10 wedge grips, test stand, and force gauge

Base / load cell adapter kits

AC1047	AC1047-1	AC1047-2	AC1047-3	AC1047-4	Item No.	Part No.	Qty.
X				X	2	G1081	1
	X				2	G1081-1	1
		X			2	G1081-2	1
			X	X	2	G1081-3	1
X	X	X	X	X	3	G1080	1
X	X	X	X	X	1	G1079	2

Grip adapter kits

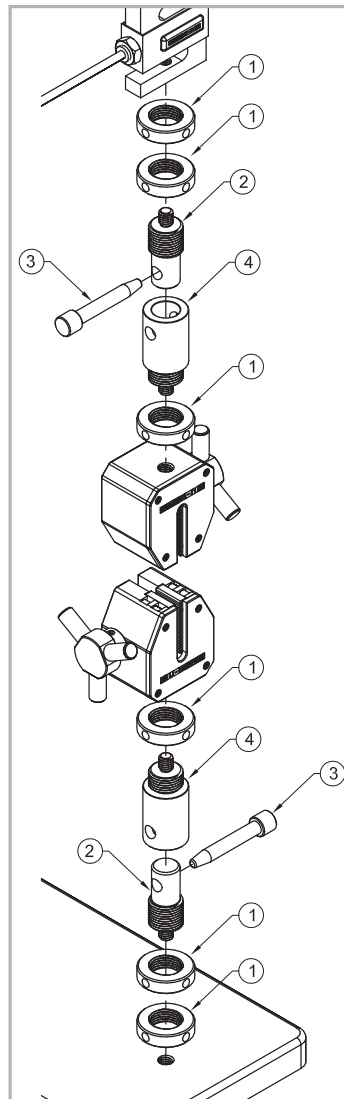
AC1046	AC1046-1	AC1046-2	Item No.	Part No.	Qty.
X			4	G1083	1
	X		4	G1083-1	1
		X	4	G1083-2	1
X	X	X	1	G1079	1

Force gauge adapter kits

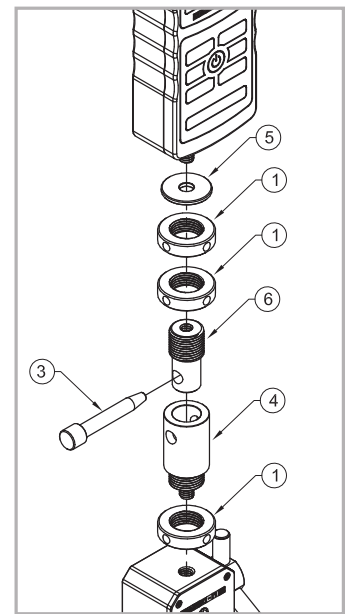
AC1045	AC1045-1	AC1045-2	Item No.	Part No.	Qty.
X			6	G1082	1
		X	2	G1081-2	1
		X	6	G1082-1	1
X			5	G1084	1
	X		5	G1084-1	1
X	X	X	1	G1079	2
X	X	X	3	G1080	1
		X	5	G1084-2	1



Load cell / test frame configuration



Force gauge configuration



Item No.	Part No.	Description
1	G1079	Lock ring, 3/4-16
2	G1081	Eye end, #10-32M
	G1081-1	Eye end, 5/16-18M
	G1081-2	Eye end, 1/2-20M
	G1081-3	Eye end, 1/4-28M
3	G1080	Anchor pin
4	G1083	Eye end adapter, #10-32M
	G1083-1	Eye end adapter, 5/16-18M
	G1083-2	Eye end adapter, 1/2-20M
5	G1084	Washer, 0.20 ID
	G1084-1	Washer, 0.32 ID
	G1084-2	Washer, 0.51 ID
6	G1082	Eye end, #10-32F
	G1082-1	Eye end, 5/16-18F
Not shown	G1088	Spanner wrench (p.62)

Grips & Attachments



Base / Load Cell Adapter Kits

AC1047	AC1047-1	AC1047-2	AC1047-3	AC1047-4	Item No.	Part No.	Qty.
X				X	2	G1081	1
	X				2	G1081-1	1
		X			2	G1081-2	1
			X		2	G1081-3	1
X	X	X	X	X	3	G1080	1
X	X	X	X	X	1	G1079	2
				X	5	G1084	1



AC1047

AC1047-1



AC1047-2

AC1047-3



AC1047-4

Grip Adapter Kits

AC1046	AC1046-1	AC1046-2	Item No.	Part No.	Qty.
X			4	G1083	1
	X		4	G1083-1	1
		X	4	G1083-2	1
X	X	X	1	G1079	1



AC1046

AC1046-1



AC1046-2

Force Gauge Adapter Kits

AC1045	AC1045-1	AC1045-2	Item No.	Part No.	Qty.
X			6	G1082	1
		X	2	G1081-2	1
	X		6	G1082-1	1
X			5	G1084	1
	X		5	G1084-1	1
X	X	X	1	G1079	2
X	X	X	3	G1080	1
		X	5	G1084-2	1



AC1045

AC1045-1



AC1045-2

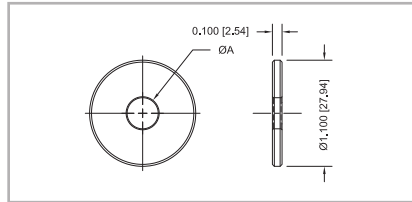
Kit compatibility table

Model No.	Description	Compatibility
AC1047	Test stand base adapter kit, #10-32M	- Test stand bases w/ #10-32 mounting
AC1047-1	Test stand base adapter kit, 5/16-18M	- Test stand bases w/ 5/16-18 mounting
AC1047-2	Test stand base / force sensor adapter kit, 1/2-20M	- Test stand bases w/ 1/2-20 mounting - Models MR01-300 / -500 / -750 / -1000 / -1500 / -2000 force sensors - Models MR07-300 / -500 / -750 / -1000 / -1500 / -2000 force sensors - Models FS06-300 / -500 force sensors
AC1047-3	Force sensor adapter kit, 1/4-28M	- Models MR01-50 / -100 / -200 force sensors - Models MR07-50 / -100 / -200 force sensors - Models FS06-50 / -100 / -200 force sensors
AC1047-4	Force sensor adapter, Series R03, #10-32M	Series R03 force sensors
AC1046	Grip adapter kit, #10-32M	Grips with #10-32 mounting
AC1046-1	Grip adapter kit, 5/16-18M	Grips with 5/16-18 mounting
AC1046-2	Grip adapter kit, 1/2-20M	Grips with 1/2-20 mounting
AC1045	Force gauge / force sensor adapter kit, #10-32F	- Force gauges up to 100 lbF capacity - Series FS05 force sensors up to 100 lbF
AC1045-1	Force gauge / force sensor adapter kit, 5/16-18F	- Force gauges with 200, 300, and 500 lbF capacities - Models FS05-200 / -300 / -500 force sensors
AC1045-2	Force gauge adapter kit, 1/2-20M	- Models M5-750 / -1000 / -1500 / -2000 force gauges



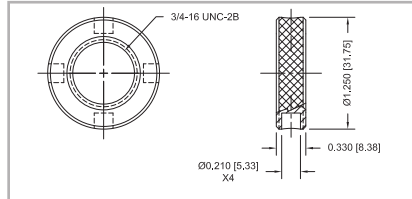
Grips & Attachments

G1084-X jam washers



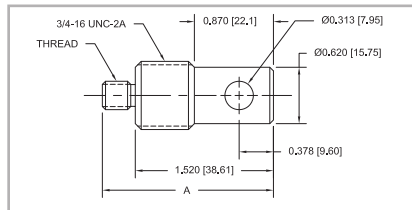
Part No.	ØA	Weight lb [kg]
G1084	0.20 [5.1]	0.03 [0.01]
G1084-1	0.32 [8.2]	0.03 [0.01]
G1084-2	0.51 [12.9]	0.03 [0.01]

G1079 lock ring



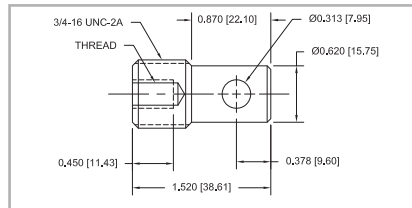
Weight lb [kg]
0.07 [0.03]

G1081-X eye ends



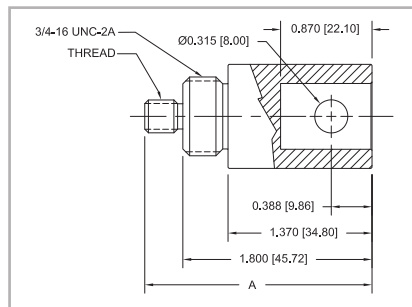
Part No.	A	Thread	Weight lb [kg]	Capacity lbF [kN]
G1081	1.82 [46.2]	#10-32	0.13 [0.06]	200 [1]
G1081-1	1.88 [47.8]	5/16-18	0.14 [0.06]	500 [2.5]
G1081-2	2.02 [51.3]	1/2-20	0.15 [0.07]	2,000 [10]
G1081-3	1.87 [47.5]	1/4-28	0.13 [0.06]	200 [1]

G1082-X eye ends



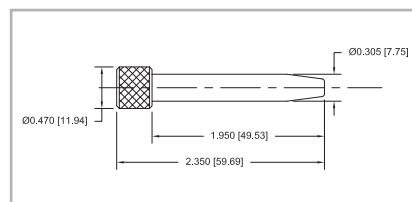
Part No.	Thread	Weight lb [kg]	Capacity lbF [kN]
G1082	#10-32	0.13 [0.06]	200 [1]
G1082-1	5/16-18	0.14 [0.05]	500 [2.5]

G1083-X eye ends



Part No.	A	Thread	Weight lb [kg]	Capacity lbF [kN]
G1083	2.10 [53.3]	#10-32	0.26 [0.12]	200 [1]
G1083-1	2.16 [54.9]	5/16-18	0.26 [0.12]	500 [2.5]
G1083-2	2.30 [58.4]	1/2-20	0.28 [0.13]	2,000 [10]

G1080 anchor pin



Weight lb [kg]
0.06 [0.03]

G1088 spanner wrench





Double handle grips

For use in ergonomics testing, job task analysis, and physical therapy. Includes four gauge mounting screws.



Force gauge and hook are not included.

Model No.	Description
AC1002	Double handle grip for Series 7/5/4 gauges
AC1003	Double handle grip for Series 3/2 gauges

Single handle grips

For use in ergonomics testing, job task analysis, and physical therapy. Includes four gauge mounting screws.



Force gauge and attachment are not included.

Model No.	Description
AC1002-1	Single handle grip for Series 7/5/4 gauges
AC1003-1	Single handle grip for Series 3/2 gauges

Inline adapters for force gauges

These adapters allow a force gauge to be used in inline pull testing or weighing applications. A 5/16-18 threaded hole at each end is axially aligned with the load cell shaft in the force gauge, for mounting hooks or other attachments. Three adapters are offered, accommodating Mark-10 force gauges with capacities up to 500 lbf (2.5 kN). Includes four gauge mounting screws and one 5/16-18 male/male stud with jam nuts.



Force gauge, hooks, and chain are not included



Model No.	Description
AC1073-1	Inline adapter, Series 3/2 force gauges
AC1073-2	Inline adapter, Series 7/5*4 force gauges
AC1073-3	Inline adapter, Series E force gauges

* Up to 500 lbf (2,500 N) capacities



Accessories

Tabletop stand for indicators

Features an angle adjustment and thru holes for workbench mounting. Includes four gauge mounting screws.



Model No.	Description
AC1008	Stand, indicator, tabletop

Competitor gauge mounting kits

Model	Description	Compatible Test Stands
AC1020	Gauge mounting kit, Chatillon DFE/DFS/DFX/LG	ES10, ES20, ES30, ESM303
AC1021	Gauge mounting kit, Chatillon DFM	
AC1022	Gauge mounting kit, Chatillon DFIS	
AC1023	Gauge mounting kit, Mecmesin AFG/BFG	
AC1024	Gauge mounting kit, Imada	
AC1025	Gauge mounting kit, Shimpo FGV/FGE	TSA750(H), TSC1000(H), TSF(H)
AC1037	Gauge mounting kit, Chatillon DFE/DFS/DFX/LG	
AC1038	Gauge mounting kit, Chatillon DFM	
AC1039	Gauge mounting kit, Chatillon DFIS	
AC1040	Gauge mounting kit, Mecmesin AFG/BFG	
AC1041	Gauge mounting kit, Imada ZT/DS2/DPZ/DPS	
AC1042	Gauge mounting kit, Shimpo FGV/FGE	
AC1061	Mark-10 force gauges to 500 lbf / 2,500 N	Chatillon TCD200, TCM201, LTCM series
AC1069	Mark-10 force gauges to 500 lbf / 2,500 N	Mecmesin test stands

Force gauge mounting plate kits

Universal kits suitable for all Mark-10 force gauges in OEM and custom mounting applications.



AC1052

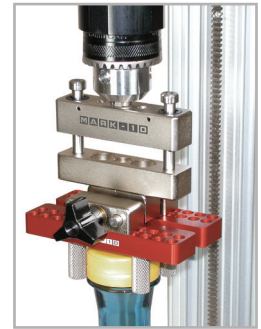


AC1058

Model No.	Description
AC1052	Mounting plate kit, 0.12 - 500 lbf [0.5 - 2,500 N] Mark-10 force gauges
AC1007	Mounting plate kit, 0.12 - 2,000 lbf [0.5 N - 10 kN] Mark-10 force gauges

Axial compensator

Designed to compensate for axial movement in torque tests of threaded fasteners, bottle caps, etc. The axial compensator has a hex tail which fits into the chuck of a Series R50 or TT03 torque gauge, and includes mounting hardware to mount to a G1053 or G1058 grip.



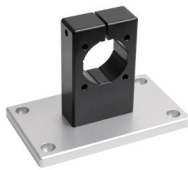
Model No.	Description
AC1029	Axial compensator

Tabletop mounting kits for torque sensors

For securing Series R50, R52, and Models MR54-200/400 torque sensors to a workbench.



AC1006



AC1007



AC1010

Model No.	Description
AC1006	Mounting kit, R52, tabletop
AC1007	Mounting kit, R50, tabletop
AC1010	Mounting kit, MR55-200/MR55-400, tabletop

Test stand mounting kits for remote sensors

Refer to the compatibility table below:



AC1015



AC1016



AC1018



AC1062

Model No.	Sensors	Test Stands
AC1015	Series R51	TST-series torque test stands
AC1016	Models MR55-200 - MR55-400	TST-series torque test stands
AC1016-1	Models MR55-20 - MR55-100	TST-series torque test stands
AC1018	Series R01, Series R03	All force test stands, except ESM303(H), ESM750/ESM1500, and TSB100
AC1062	Series R01, Series R03	ESM303



Cap torque tester calibration kit

This calibration kit is designed to permit the field calibration of any Series TT01 cap torque tester. The kit contains a complete set of attachments required to mount the tester to a bench, as well as the necessary brackets and cable to mount weights.



Model No.	Description
AC1036	Calibration kit, weights not included

Wire pull tester calibration kit

This calibration kit is designed to permit the field calibration of a WT3-200, WT3-201, or WT3-201M wire crimp pull tester. The kit contains a complete set of attachments required to mount the tester to a bench, as well as the necessary brackets to mount weights (weights not included).



Model No.	Description
AC1049	Calibration kit for wire crimp pull tester

Communication adapters

RSU100



MU100



Model No.	Description
RSU100	Adapter, RS-232 to USB
MU100	Adapter, Mitutoyo to USB, 6' cable length

Footswitch for Series 7 instruments

Automates common force gauge functions for improved testing ergonomics and efficiency, eliminating the need for multiple key presses. Up to three functions may be programmed for a single footswitch activation, such as request reading, zero the display, etc.



Model No.	Description
AC1051	Footswitch for Series 7 / 7i

AC adapter/chargers

110V and 220V models available, for use with all Mark-10 gauges, indicators, and testers.*

Model No.	Description
AC1030	AC adapter / charger, 110V
AC1031	AC adapter / charger, 220V EUR
AC1032	AC adapter / charger, 220V UK
AC1035	AC adapter / charger, 220V AUS

* Except legacy series MG and MGT gauges manufactured prior to September, 2010.



Replacement battery

Rechargeable 8.4V NiMH battery, for use with Mark-10 gauges, indicators, and testers.



Model No.	Description
08-1026	Battery, rechargeable, 8.4V



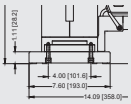
Accessories

Cables

	Model No.	Description	Compatible Instruments
	AC1114	Interface cable, gauge to test stand crosshead	Series 7, 5, 4 instruments with ESM303, ESM1500 test stands
	AC1115	Interface cable, indicator to test stand crosshead	Model M7i and M5i indicators with ESM303H test stand
	AC1111	USB cable, type micro B to A	Series 7, 5, 4, 3, TT01, TT02, TT03, TT05, WT3-201(M) instruments to PC
	AC1107	USB cable, type B to A	ESM303, ESM750, ESM1500 test stands to PC
	AC1109	Serial cable, gauge to RS-232, DB-9	Series 7, 5, 4, TT01, TT02, TT05, WT3-201(M) instruments
	AC1110	Cable, gauge to Mitutoyo SPC	Series 7, 5, 4, TT01, TT02, TT05, WT3-201(M) instruments
	AC1112	Analog cable, gauge to dual banana plug	Series 7, 5, 4, TT01, TT02, TT05, WT3-201(M) instruments
	AC1105	Cable, travel display to Mitutoyo SPC	Mitutoyo travel display mounted to ES30, TSA750(H), TSB100, TSC1000(H), and TSF(H) test stands

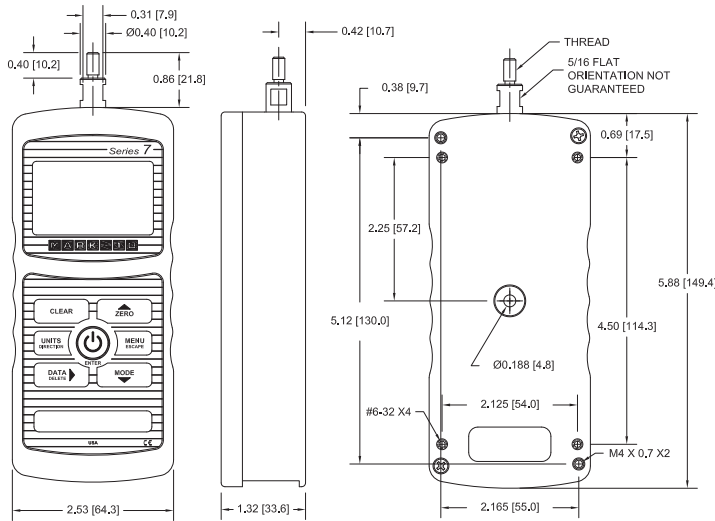
Cables for legacy products are also available. See website for details.

Dimensional Drawings



Force Gauges

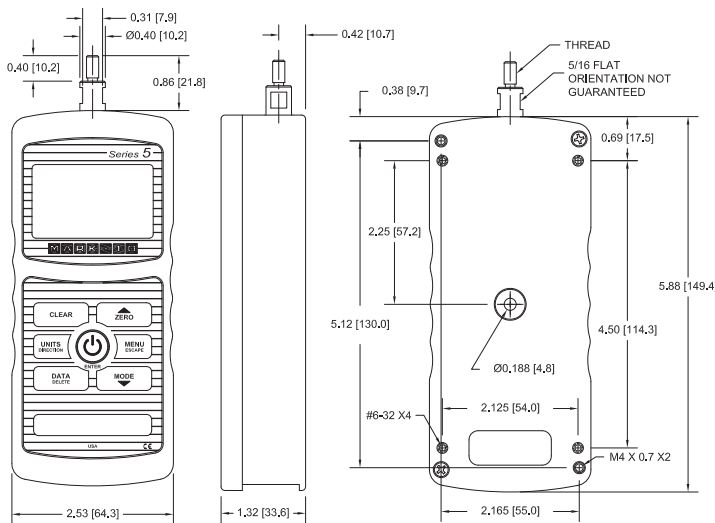
Series 7



	Thread
M7-012 - M7-100	#10-32M UNF
M7-200 - M7-500	5/16-18M UNC

Series 5

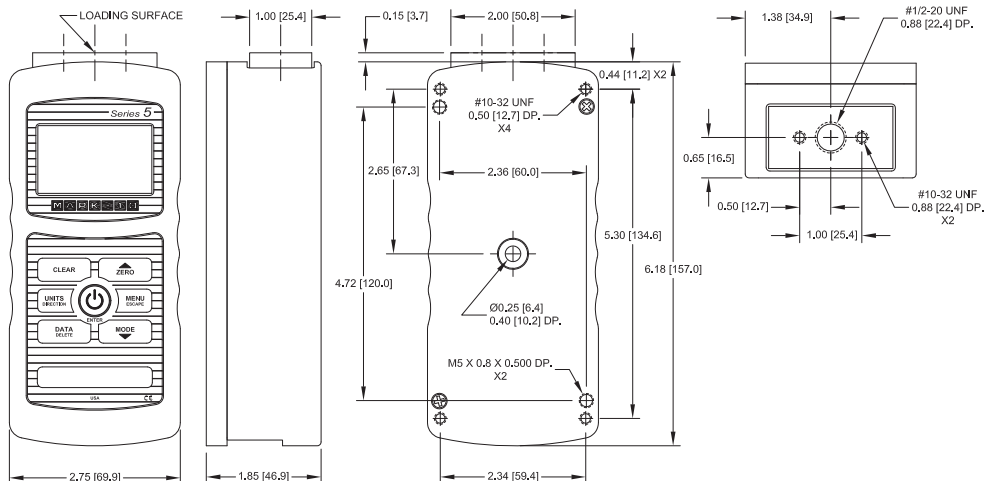
Models
M5-012 -
M5-500

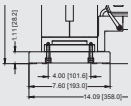


	Thread
M5-012 - M5-100	#10-32 UNF
M5-200 - M5-500	5/16-18 UNC

Series 5

Models
M5-750 -
M5-2000

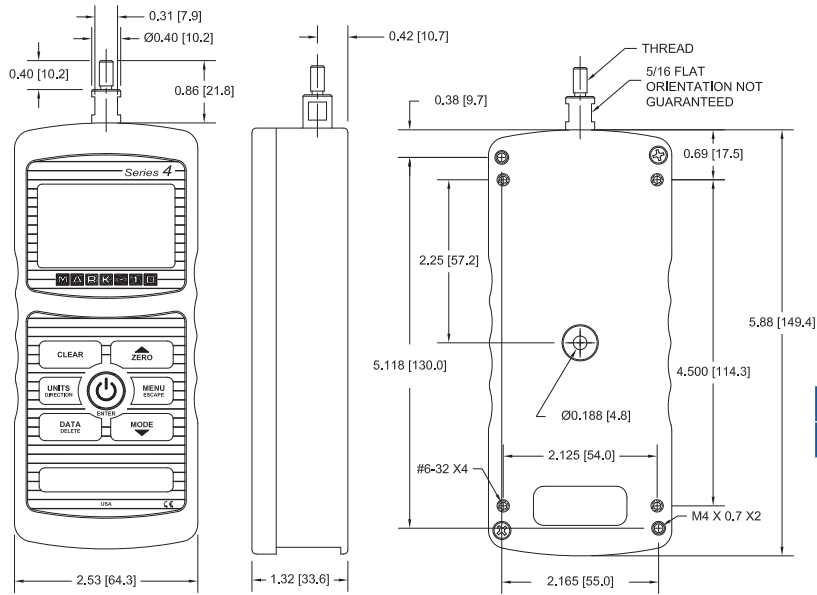




Dimensional Drawings

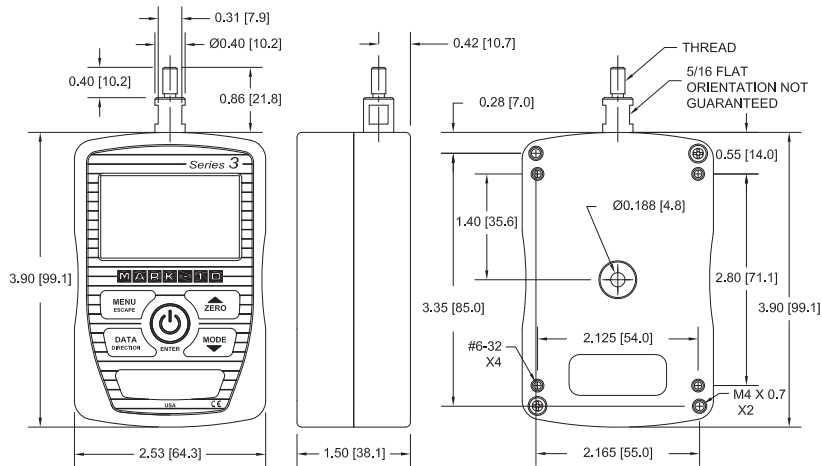
Force Gauges

Series 4



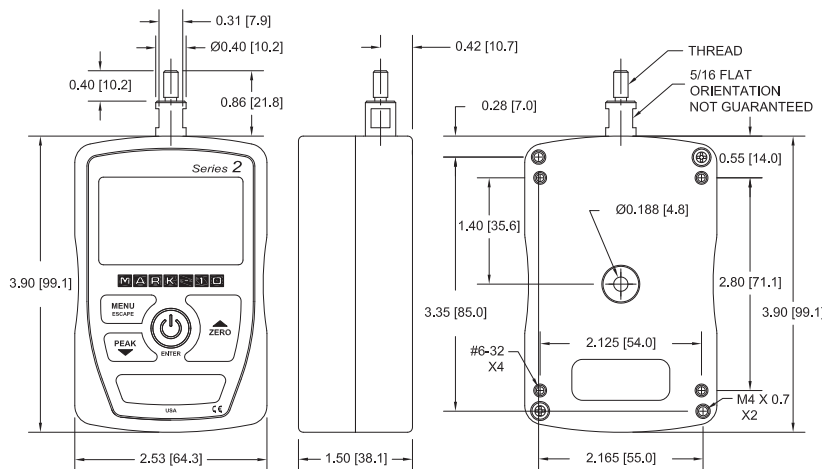
	Thread
M4-012 - M4-100	#10-32 UNF
M4-200 - M4-500	5/16-18 UNC

Series 3

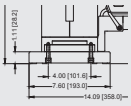


	Thread
M3-012 - M3-100	#10-32 UNF
M3-200 - M3-500	5/16-18 UNC

Series 2

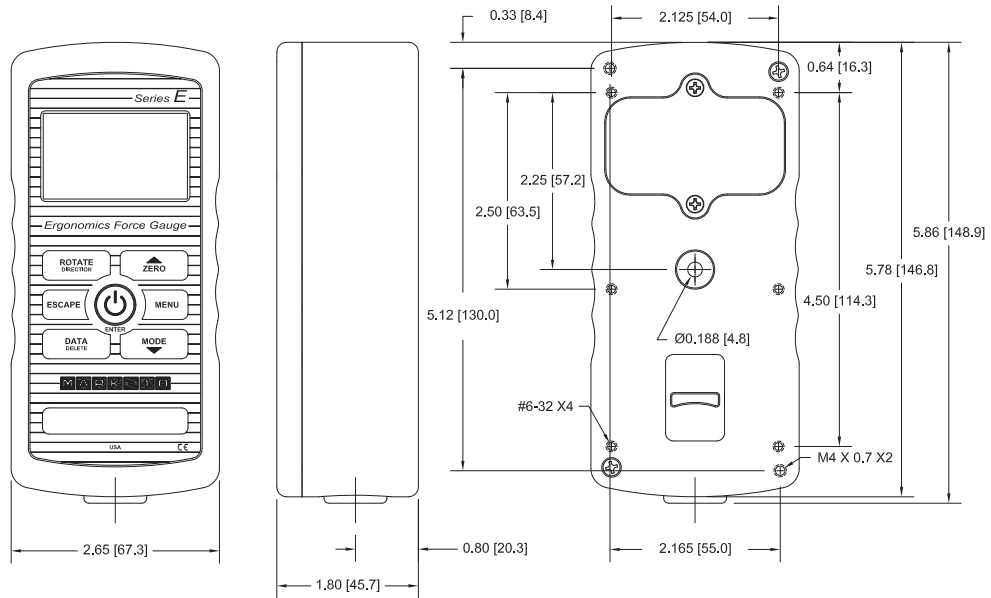


	Thread
M2-2 - M2-100	#10-32 UNF
M2-200 - M2-500	5/16-18 UNC



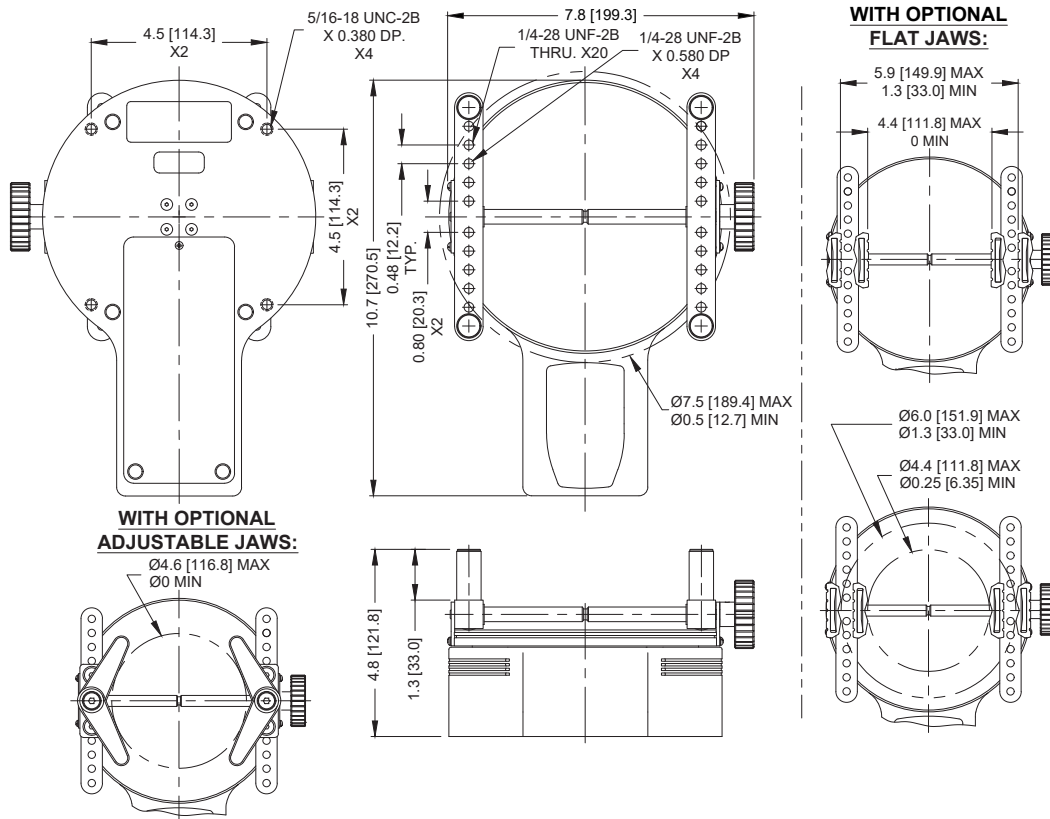
Ergonomics Force Gauges

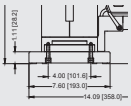
Series E



Torque Gauges and Testers

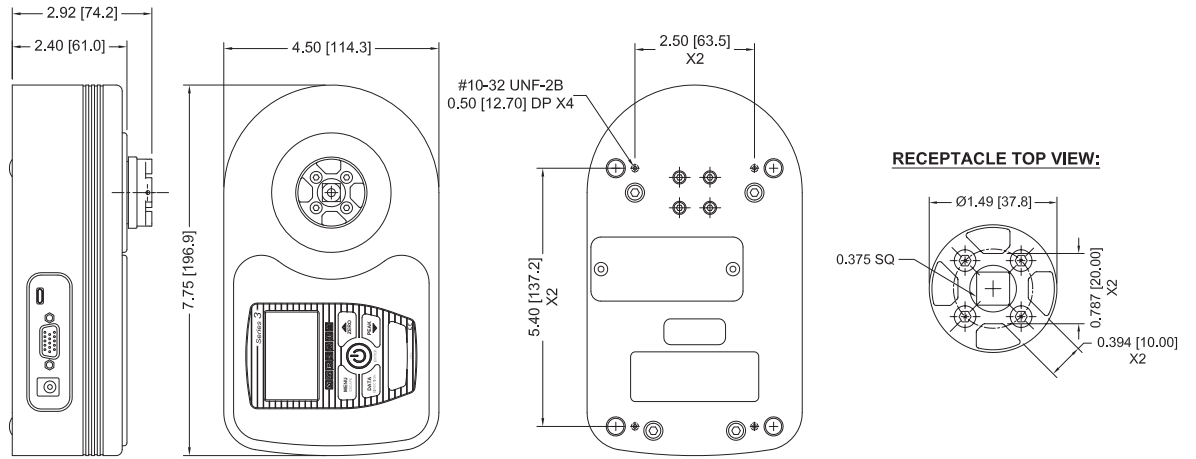
Series TT01



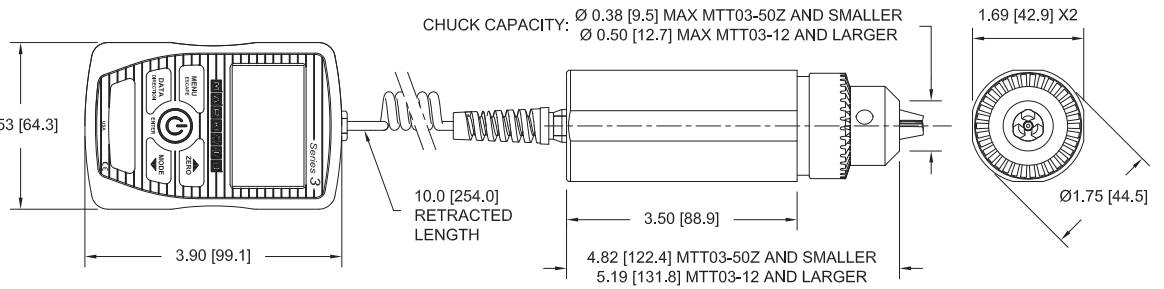


Dimensional Drawings

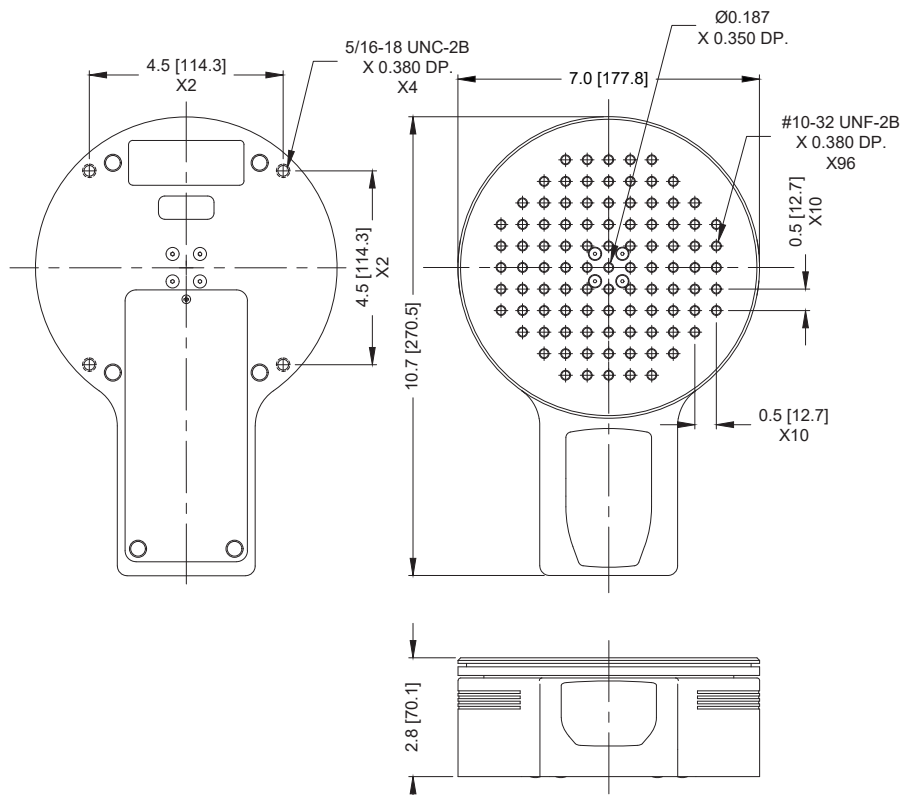
Series TT02



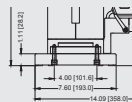
Series TT03



Series TT05

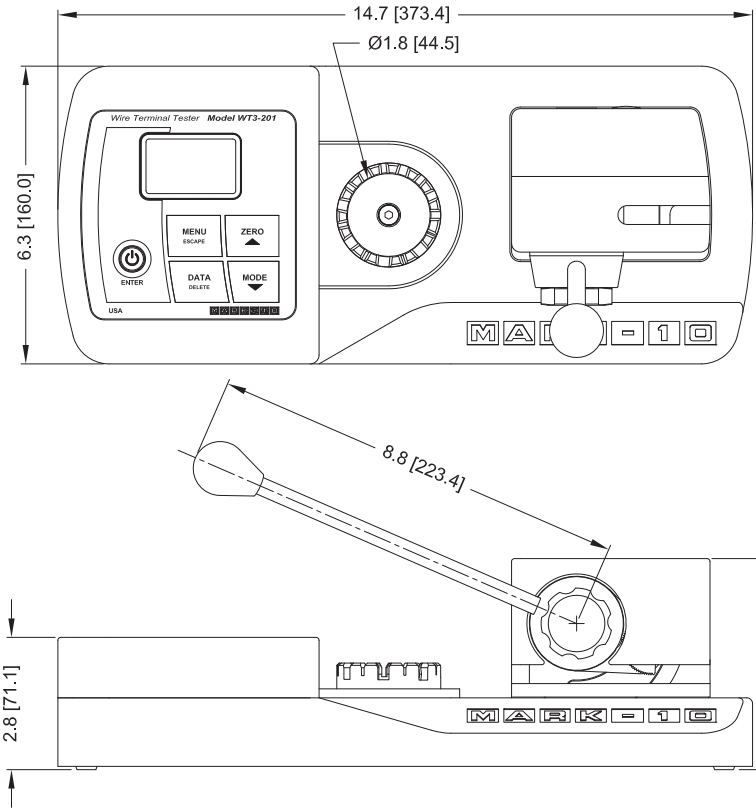


Dimensional Drawings

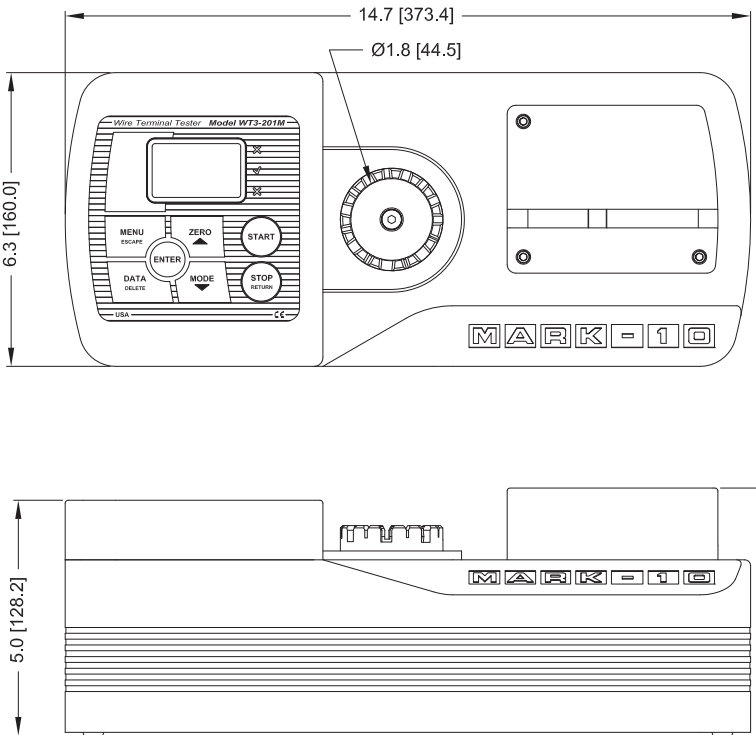


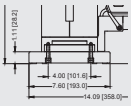
Wire Crimp Pull Testers

Model
WT3-201



Model
WT3-201M

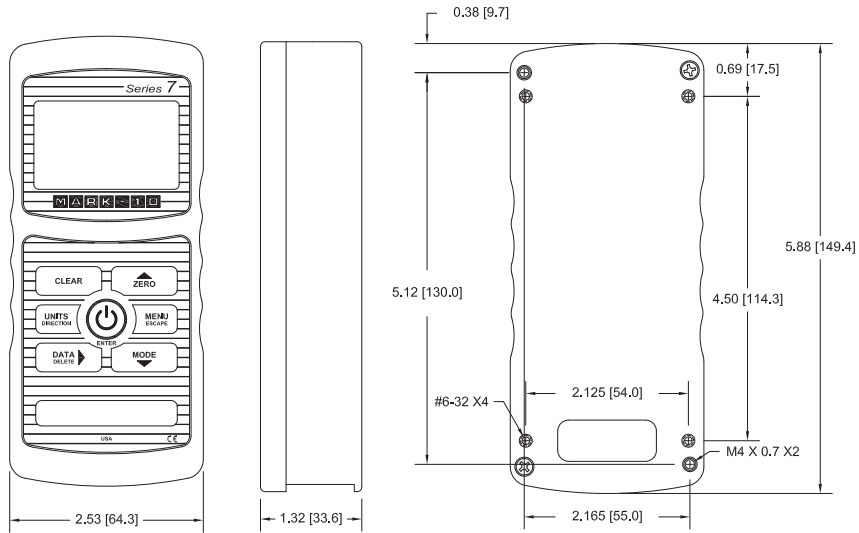




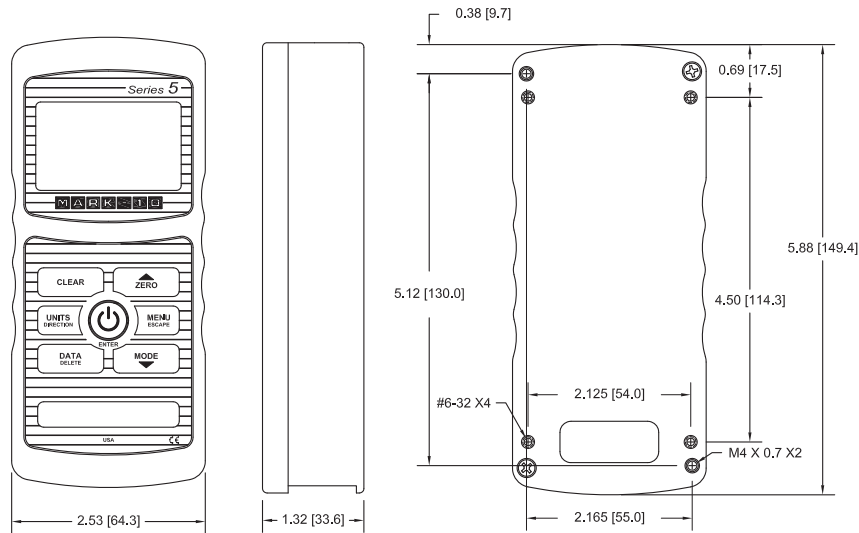
Dimensional Drawings

Force / Torque Indicators

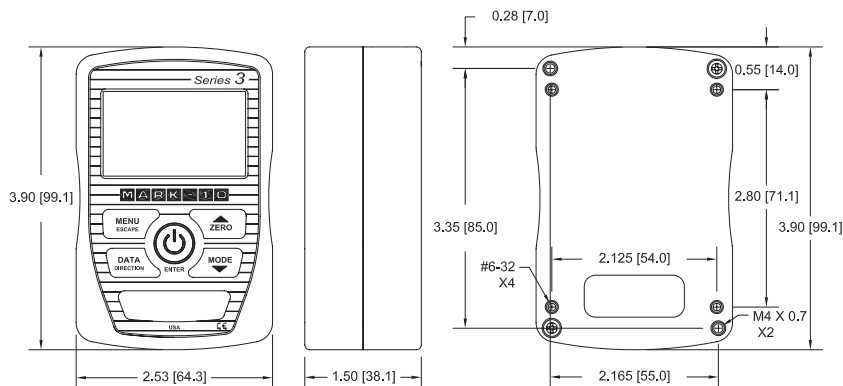
Model M7i



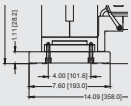
Model M5i



Model M3i

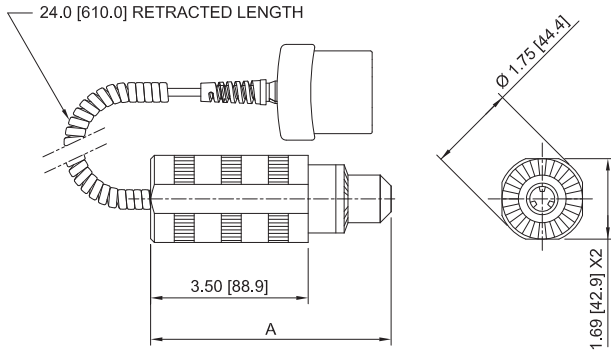


Dimensional Drawings



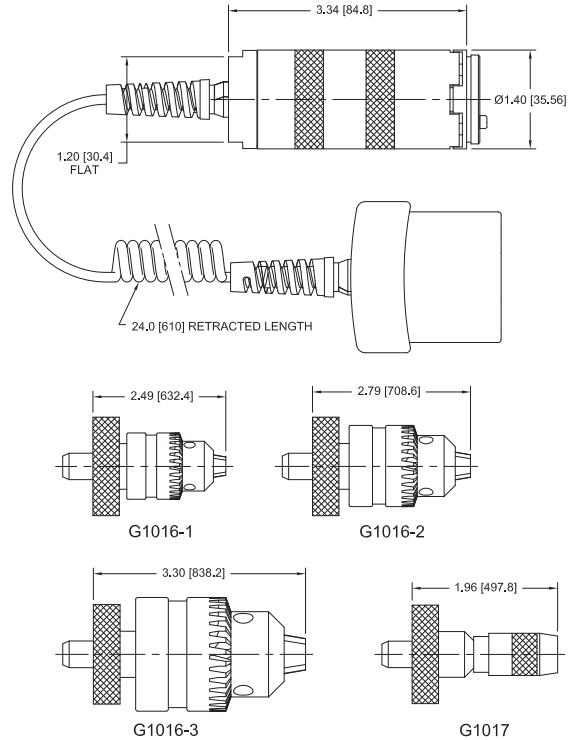
Plug & Test® Sensors

Series R50

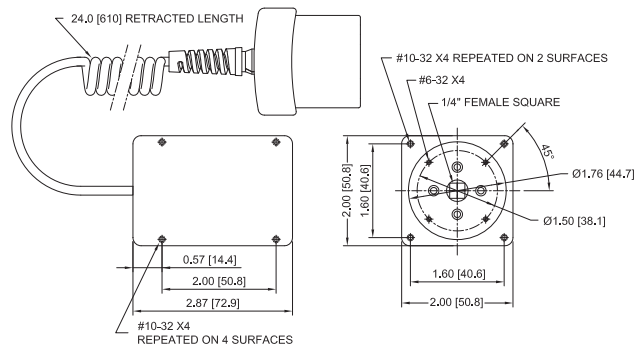


Model No.	A	Chuck Capacity
MR50-10Z - MR50-50Z	4.82 [122.4]	0.375 [9.5]
MR50-12 - MR50-100	5.19 [131.8]	0.5 [12.7]

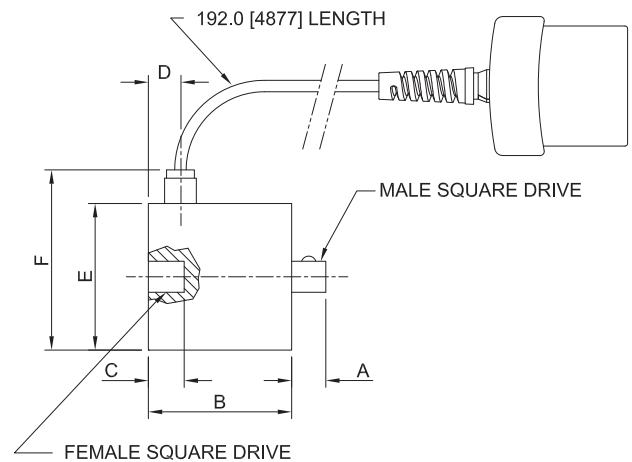
Series R51



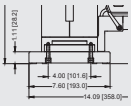
Series R52



Series R55



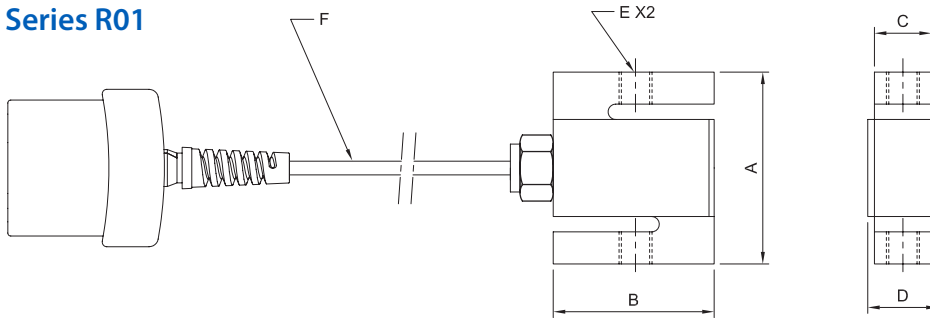
Model No.	Drive Size	A	B	C	D	ØE	F
MR55-20 - MR55-100	1/4"	0.30 [7.5]	1.73 [44.0]	0.32 [8.0]			
MR55-200 - MR55-400	3/8"	0.41 [10.5]	1.73 [44.0]	0.43 [11.0]	0.39 [10.0]	1.77 [45.0]	2.32 [59.0]
MR55-1000	1/2"	0.59 [15.0]		0.63 [16.0]			
MR55-5000	3/4"	0.89 [22.5]	2.11 [53.5]	0.94 [24.0]	0.77 [19.5]	2.01 [51.0]	2.56 [65.0]



Dimensional Drawings

Plug & Test® Sensors

Series R01



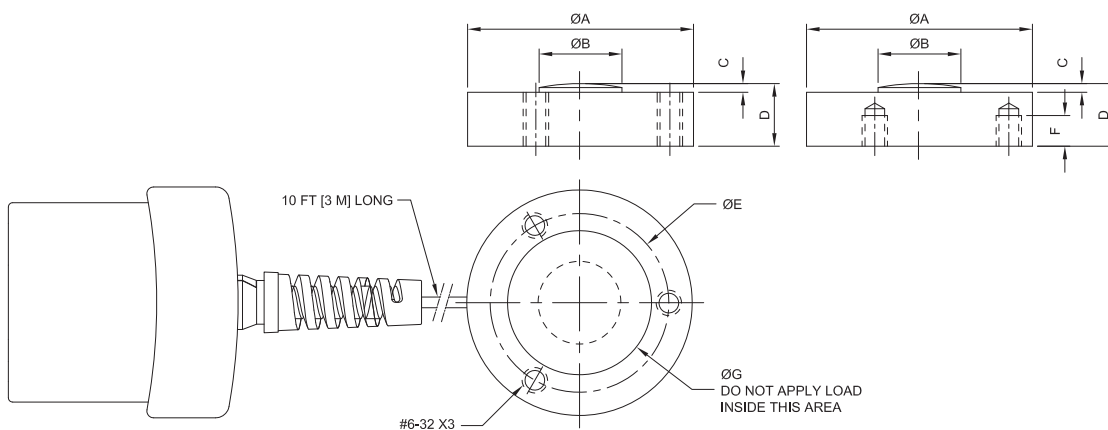
Model	A	B	C	D	E	F	
MR01-50	2.40 [61.0]	2.00 [50.8]	0.46 [11.7]	0.90 [22.9]	1/4-28 UNF	MR01-XXXX: 20 ft [6 m] MR01-XXXX-1* 10 in [254 mm]*	
MR01-100			0.71 [18.0]	1.10 [27.9]	1/2-20 UNF		
MR01-200							
MR01-300							
MR01-500	3.90 [99.1]	3.00 [76.2]	0.96 [24.4]	1.40 [35.6]	3/4-16 UNF		
MR01-750			1.21 [30.7]	1.63 [41.4]			
MR01-1000							
MR01-2000							
MR01-5000							
MR01-10000							

* Add suffix "-1" for shortened cable, for use on ESM1500, ESM750, ESM303, and ESM303H test stands. Ex: MR01-1000-1. Test stand mounting hardware is included.

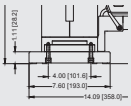
Series R02

MR02-100 - MR02-2000:

MR02-5000 - MR02-10000:

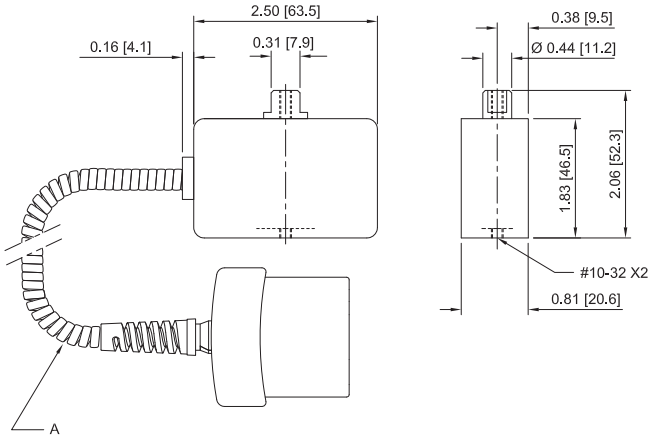


Model	ØA	ØB	C	D	ØE	F	ØG
MR02-100 - MR02-2000	1.23 [31.3]	0.32 [8.1]	0.05 [1.3]	0.39 [9.9]	1.0 [25.4]	THRU	0.83 [21.1]
MR02-5000 - MR02-10000	1.48 [37.6]	0.43 [10.9]	0.07 [1.8]	0.62 [15.8]	1.25 [31.8]	0.25 [6.4]	1.08 [27.4]



Plug & Test® Sensors

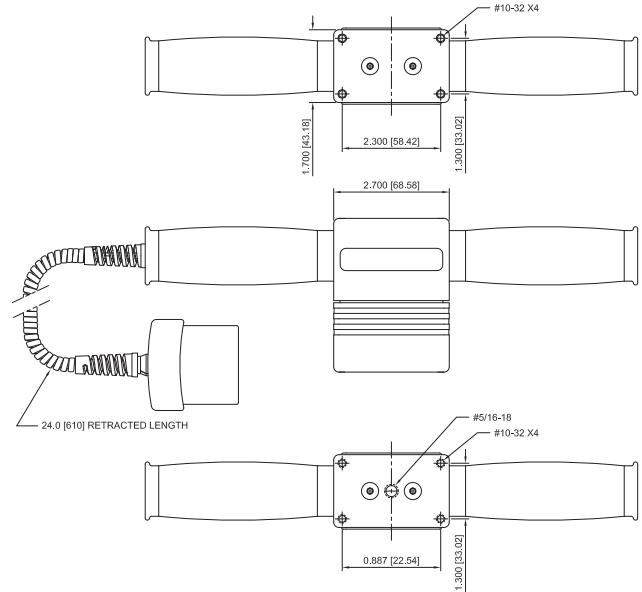
Series R03



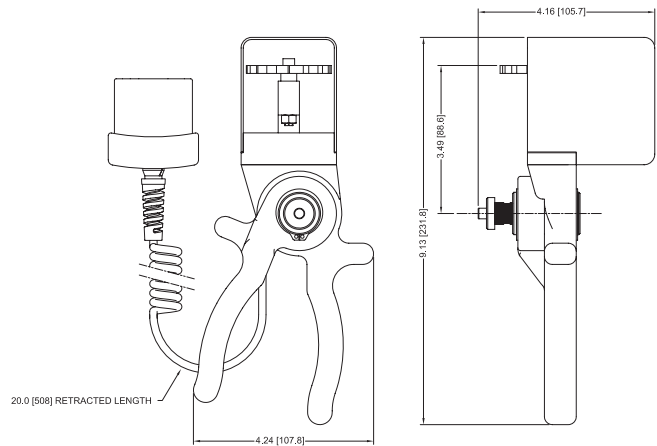
Model No.	A
MR03-XXX	24 in [609 mm] retracted, 10 ft [3 m] stretched
MR03-XXX-1*	10 in [254 mm], straight*

* Add suffix "-1" for shortened cable, for use on ESM1500, ESM750, ESM303, and ESM303H test stands. Ex: MR03-100-1. Test stand mounting hardware is included.

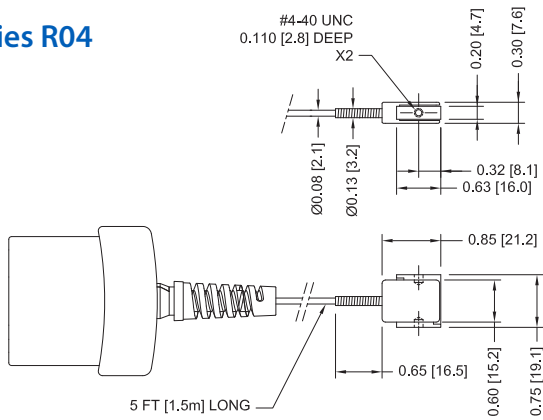
Series R05

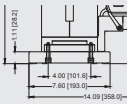


Series R06



Series R04

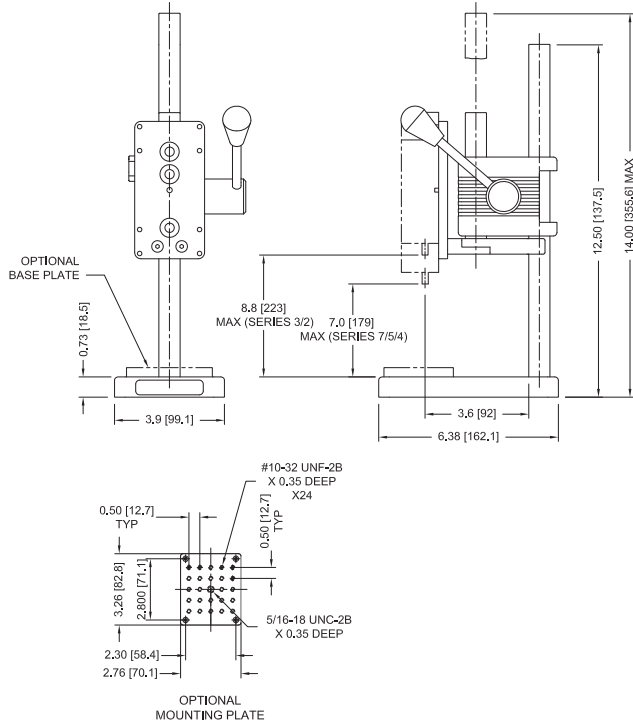




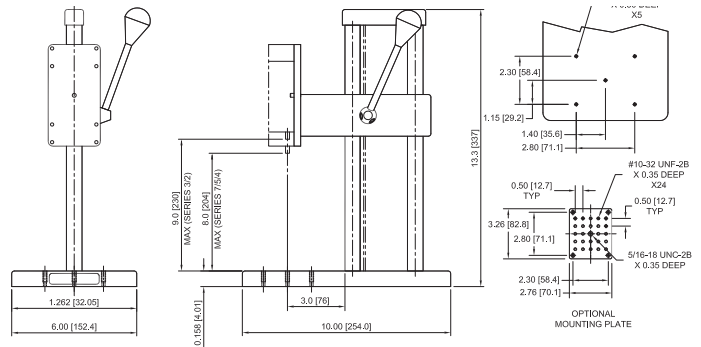
Dimensional Drawings

Test Stands

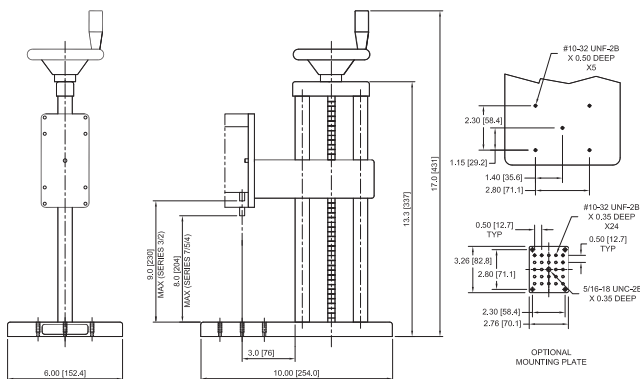
Model ES05



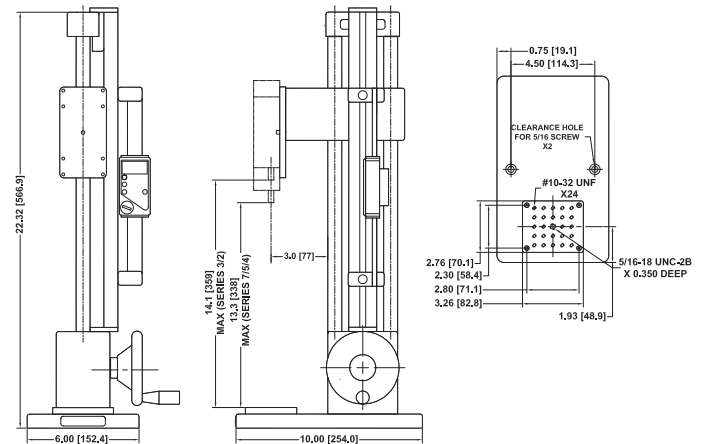
Model ES10



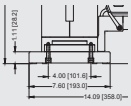
Model ES20



Model ES30

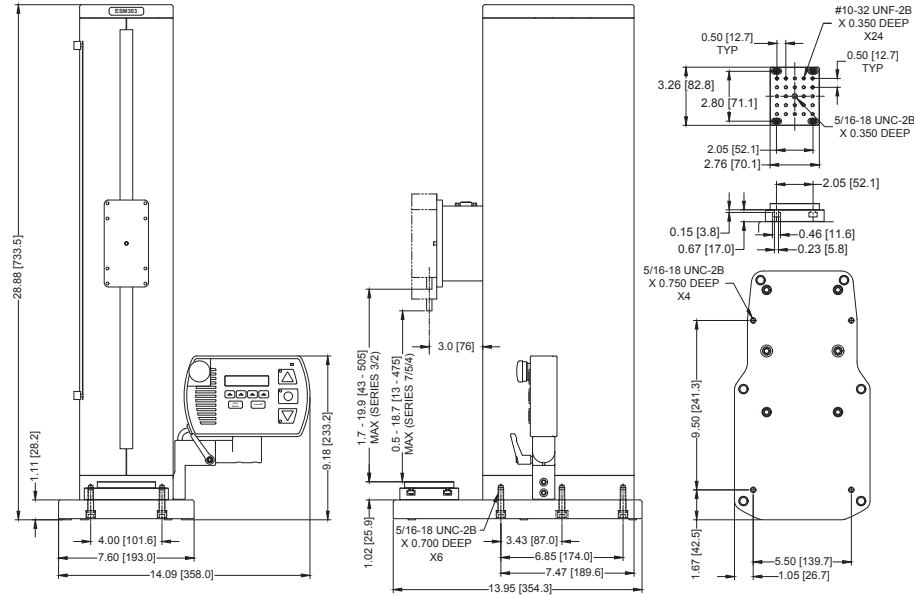


Dimensional Drawings

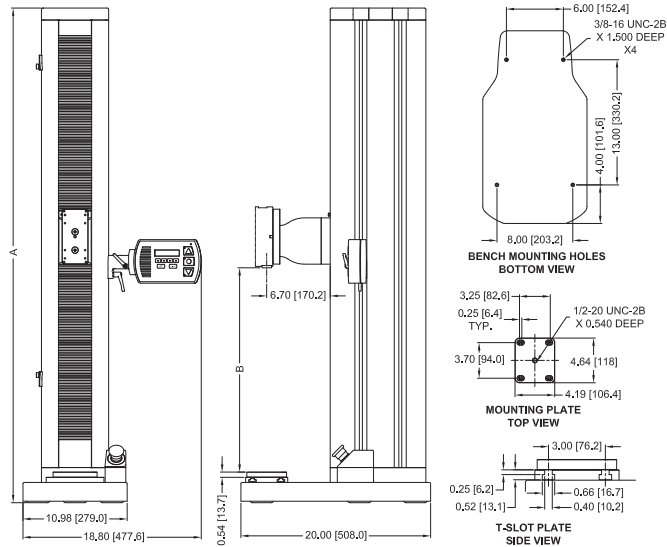


Test Stands

Model ESM303

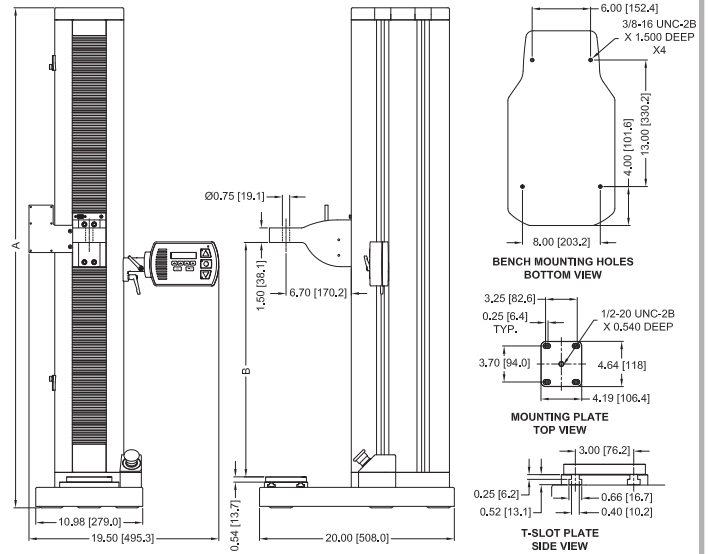


ESM1500FG - ESM750FG

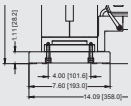


Model	A	B
ESM1500FG	51.35 [1304.3]	5.25 - 37.25 [133.4 - 946.2]
ESM1500SFG	33.89 [860.9]	5.25 - 19.45 [133.4 - 494.0]
ESM750FG	50.85 [1291.6]	5.25 - 37.25 [133.4 - 946.2]
ESM750SFG	33.39 [848.1]	5.25 - 19.45 [133.4 - 494.0]

ESM1500LC - ESM750LC



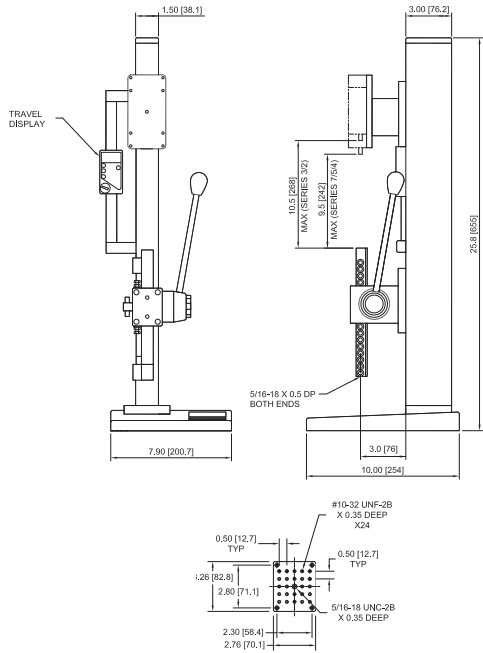
Model	A	B
ESM1500LC	51.35 [1304.3]	8.13 - 40.13 [206.4 - 1019.2]
ESM1500SLC	33.89 [860.9]	8.13 - 22.33 [206.4 - 567.1]
ESM750LC	50.85 [1291.6]	8.13 - 40.13 [206.4 - 1019.2]
ESM750SLC	33.39 [848.1]	8.13 - 22.33 [206.4 - 567.1]



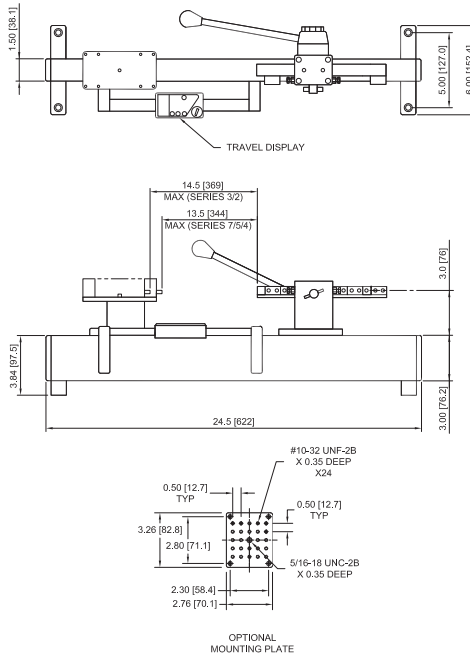
Dimensional Drawings

Test Stands

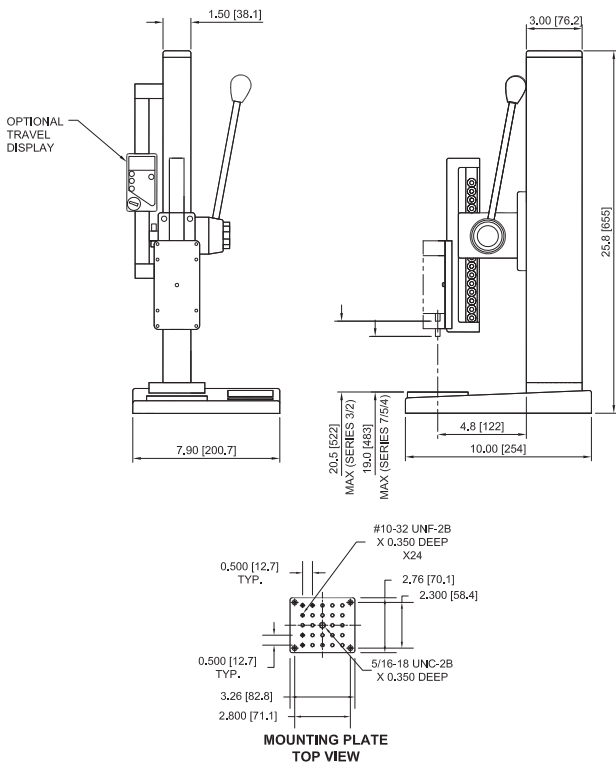
Model TSA750



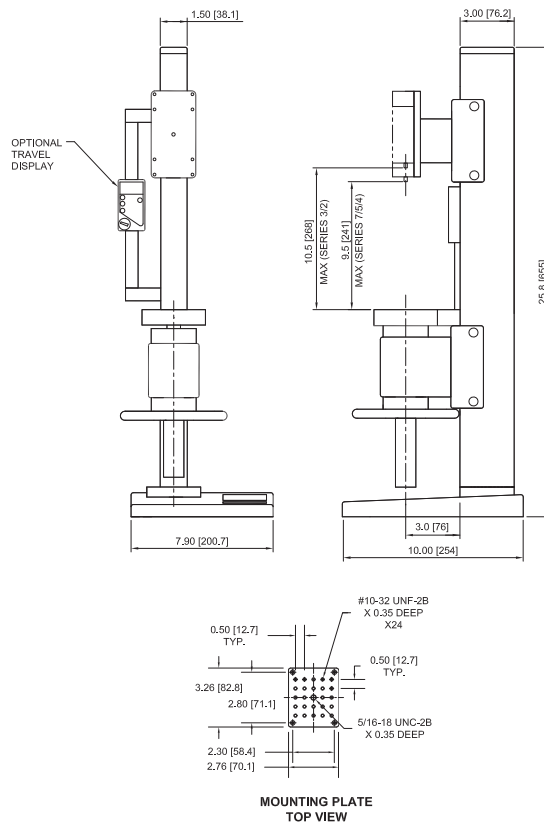
Model TSA750H

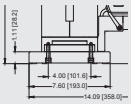


Model TSB100



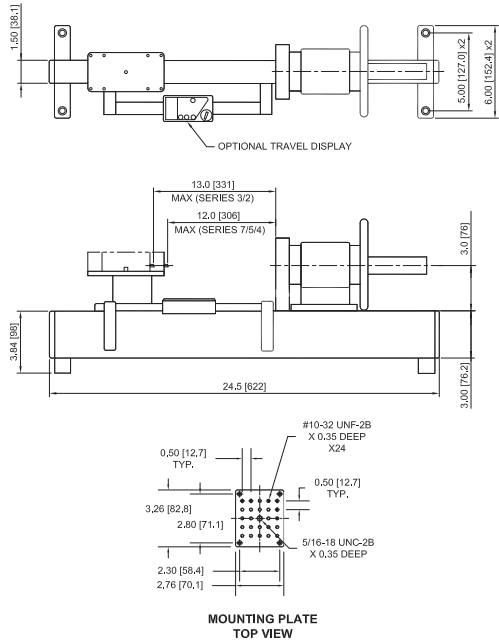
Model TSC1000



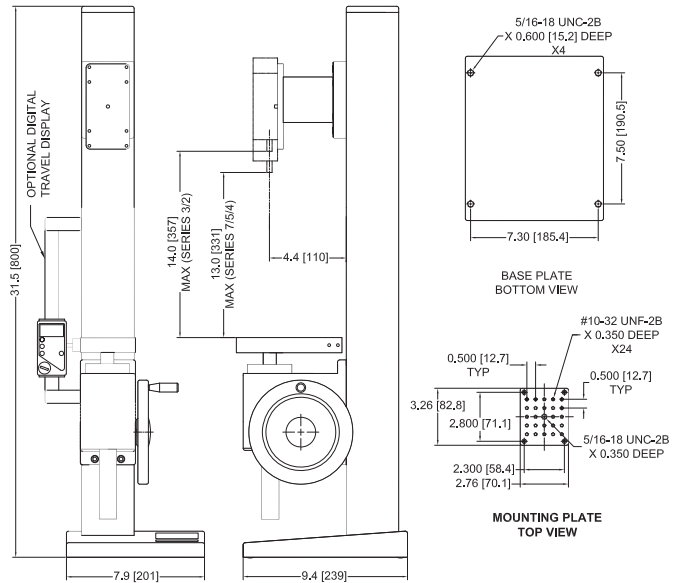


Test Stands

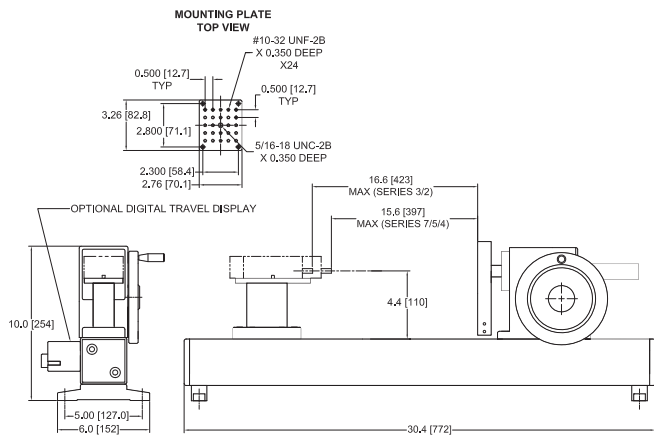
Model TSC1000H

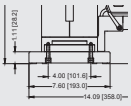


Model TSF



Model TSFH

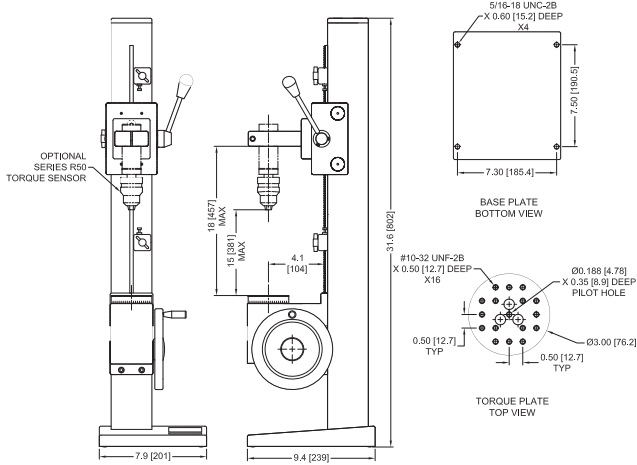




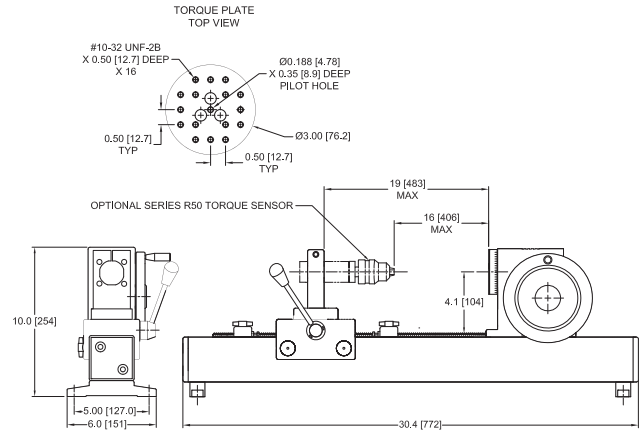
Dimensional Drawings

Test Stands

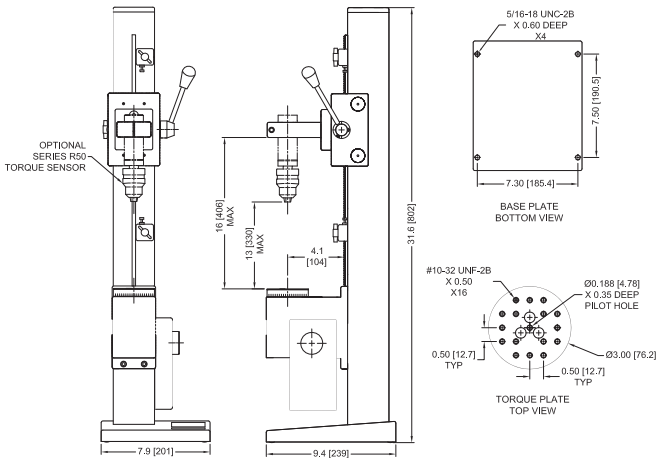
Model TST



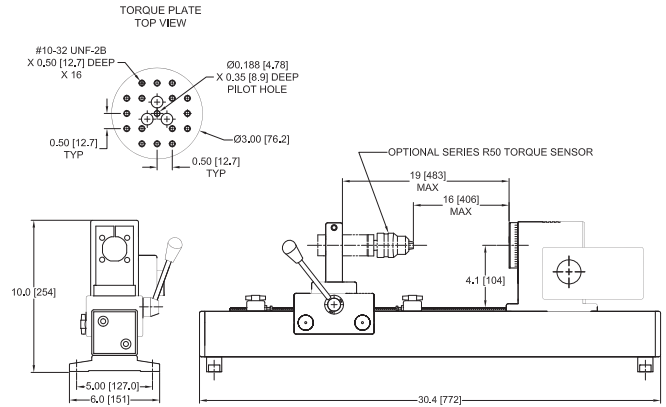
Model TSTH



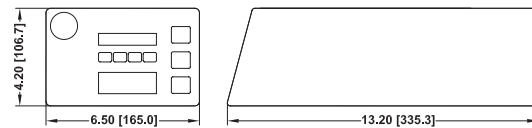
Model TSTM-DC



Model TSTMH-DC



Series DC Controllers



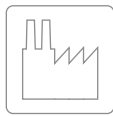
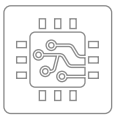






Applications are virtually limitless...

Mark-10 force and torque measurement products help quality control, engineering, and manufacturing professionals assess and ensure quality in virtually every industry worldwide.



MARK-10

Force and Torque Measurement Engineered Better

Mark-10 Corporation
11 Dixon Avenue ■ Copiague, NY 11726 USA
888-MARK-TEN ■ Tel: +1 631 842 9200 ■ Fax: +1 631 842 9201
www.mark-10.com ■ info@mark-10.com



© 2020 MARK-10 CORPORATION
32-1000