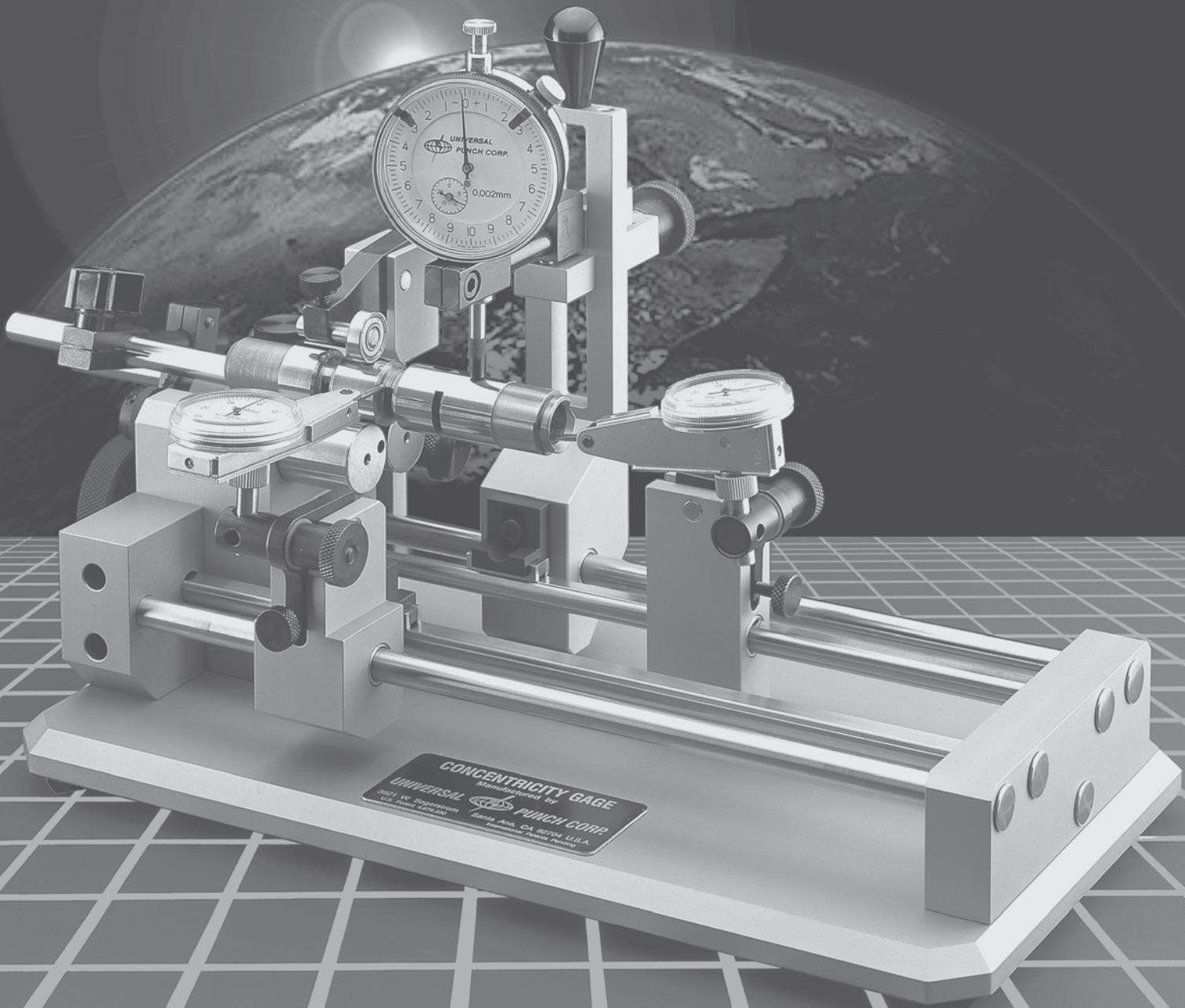


UNIVERSAL CONCENTRICITY GAGING SYSTEMS



THE MODERN WAY TO INCREASE GAGING EFFICIENCY

GAGE SELECTION (SPECIFY STANDARD OR PRECISION MODELS)

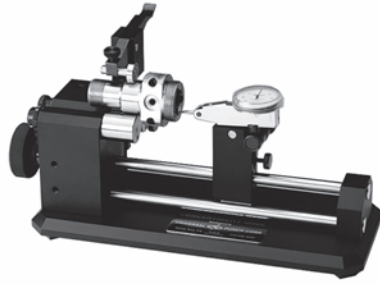
Part No.	Description
A-10	Basic Single Gage / 3-25mm / Standard Carrier
B-10	Basic Extended Gage / 3-25mm / Standard Carrier
B-20	Basic Extended Gage / 10-50mm / Standard Carrier
B-40	Basic Extended Gage / 20-105mm / Standard Carrier
E-10	Eccentric Checker Gage / 3-25mm / Vertical Roller Carrier
E-20	Eccentric Checker Gage / 10-50mm / Vertical Roller Carrier
E-40	Eccentric Checker Gage / 20-105mm / Vertical Roller Carrier
F-10	Recess Fastener Checker Gage / 3-25mm / Recess Checking Carrier
F-20	Recess Fastener Checker Gage / 10-50mm / Recess Checking Carrier
G1-10	Side Checker Gage / 3-25mm / Side Carrier
G1-20	Side Checker Gage / 10-50mm / Side Carrier
G1-40	Side Checker Gage / 20-105mm / Side Carrier
G2-10	Side Checker Gage / 3-25mm / Vertical Carrier
G2-20	Side Checker Gage / 10-50mm / Vertical Carrier
G2-40	Side Checker Gage / 20-105mm / Vertical Carrier
H-10	Standard Shaft Gage / 3-25mm / Vertical Carrier
H-20	Standard Shaft Gage / 10-50mm / Vertical Carrier
H-40	Standard Shaft Gage / 20-105mm / Vertical Carrier
HL-10	Extended Shaft Gage / 3-25mm / Vertical Carrier
HL-20	Extended Shaft Gage / 10-50mm / Vertical Carrier
HL-40	Extended Shaft Gage / 20-105mm / Vertical Carrier
JSLP-10C	Slim Low Profile With Built-In Comparator Base
JSLP-10	Slim Low Profile Comparator Gage / 3-25mm
JLP-10	Low Profile Comparator Gage / 3-25mm
J-10	Surface Plate or Comparator Gage / 3-25mm
J-20	Surface Plate or Comparator Gage / 10-50mm
J-40	Surface Plate or Comparator Gage / 20-105mm
K1-10	Dual Indicator Gage / 3-25mm / Standard Carrier / Side Carrier
K1-20	Dual Indicator Gage / 10-50mm / Standard Carrier / Side Carrier
K1-40	Dual Indicator Gage / 20-105mm / Standard Carrier / Side Carrier
K2-10	Dual Indicator Gage / 3-25mm / Standard Carrier / Vertical Carrier
K2-20	Dual Indicator Gage / 10-50mm / Standard Carrier / Vertical Carrier
K2-40	Dual Indicator Gage / 20-105mm / Standard Carrier / Vertical Carrier
KK1-10	Triple Indicator Gage / 3-25mm / Standard Carrier / Two Side Carriers
KK1-20	Triple Indicator Gage / 10-50mm / Standard Carrier / Two Side Carriers
KK1-40	Triple Indicator Gage / 20-105mm / Standard Carrier / Two Side Carriers
KK2-10	Triple Indicator Gage / 3-25mm / Standard Carrier / Side Carrier & Vertical Carrier
KK2-20	Triple Indicator Gage / 10-50mm / Standard Carrier / Side Carrier & Vertical Carrier
KK2-40	Triple Indicator Gage / 20-105mm / Standard Carrier / Side Carrier & Vertical Carrier
LG-10	Lazer Gage / 3-25mm / Steel Base / $\leq 2\mu\text{m}$ Accuracy
LG-20	Lazer Gage / 10-50mm / Steel Base / $\leq 2\mu\text{m}$ Accuracy

The Concentricity Gaging System is comprised of three main components. 1) select the gage model, 2) select the main rollers, 3) select an indicator(s) and/or other accessories. The Concentricity Gages are assembled into two classifications that are calibrated and directly traceable to (N.I.S.T.) Standard Black Gage is guaranteed to be better than $\leq 4\mu\text{m}$ accuracy. Precision Gold Gage (-10 / -20 models only) is guaranteed better than $\leq 2\mu\text{m}$ (.00008") accuracy. For Precision Class add \$250.00 to the base price.

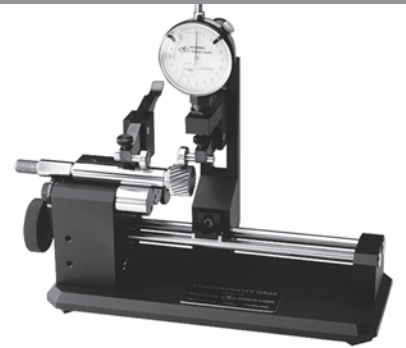
CONCENTRICITY GAGE SELECTION



A-10



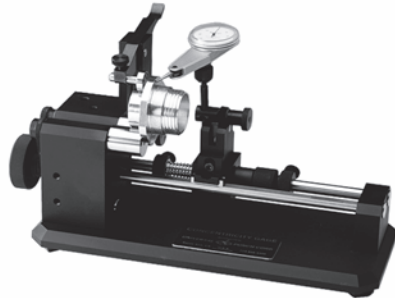
B-10



E-10



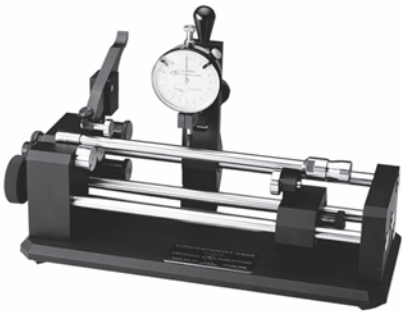
F-10



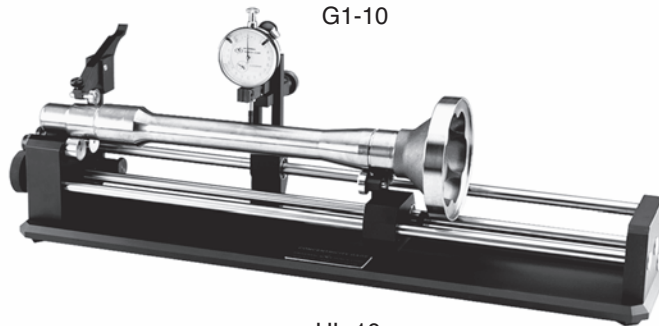
G1-10



G2-10



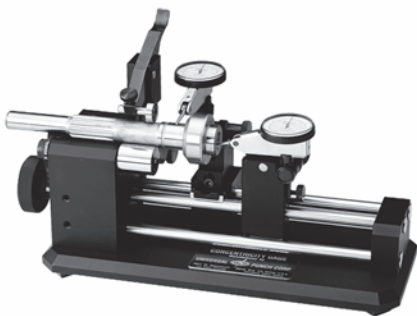
H-10



HL-10



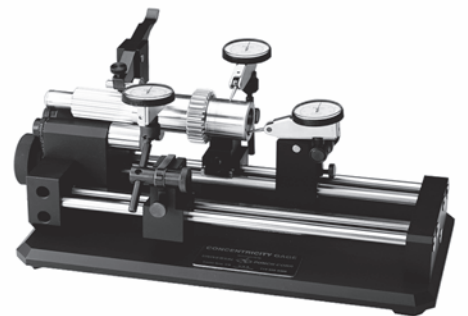
J-10



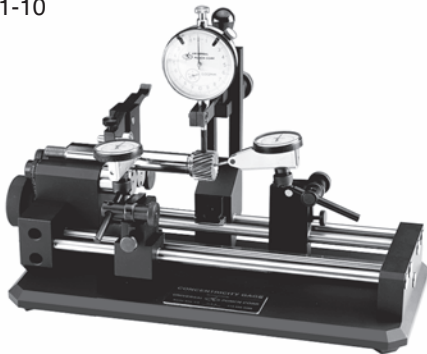
K1-10



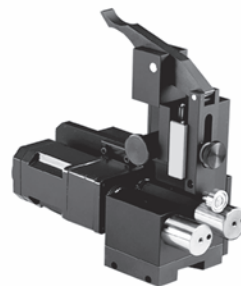
K2-10



KK1-10



KK2-10



LGM-20

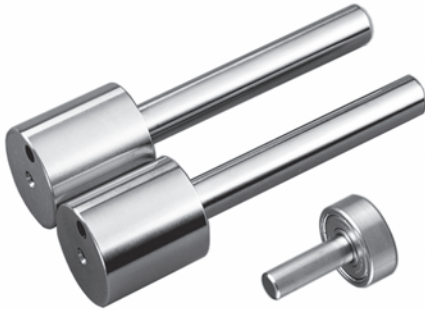


LG-10

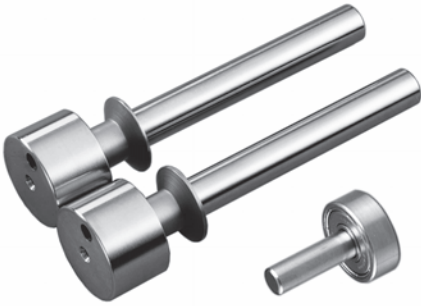
MAIN ROLLER SELECTION (ADD TO BASE PRICE)

Part No.	Description
Main Rollers For Models -10	
110-10FP	Full Plain Rollers Set
110-10HP	Half Plain Rollers Set
110-10QP	Quarter Plain Rollers Set
110-10FZ	Full Plain Zero Rollers Set
110-10HZ	Half Plain Zero Rollers Set
110-10QZ	Quarter Plain Zero Rollers Set
110-10TZ	Thin Zero Plain Rollers Set
110-10TM	Thread Mandrel Rollers Set
Main Rollers For Models -20	
120-20FP	Full Plain Rollers Set
120-20HP	Half Plain Rollers Set
120-20QP	Quarter Plain Rollers Set
120-20TM	Thread Mandrel Rollers Set
Main Rollers For Models -40	
140-40FP	Full Plain Rollers Set
140-40HP	Half Plain Rollers Set
140-40QP	Quarter Plain Rollers Set
140-40TM	Thread Mandrel Rollers Set
Main Rollers For Models H-10/ H-20/ H-40	
110-10HS	Full Plain Short Rollers Set .6"/16mm Length
120-20HS	Full Plain Short Rollers Set .8"/22mm Length
140-40HS	Full Plain Short Rollers Set 1.0"/25mm Length
Top Rollers For Models -10	
145-10	Special Top Roller For Small OD's 1/4" x 1/8" (6,3 x 3mm)
146-10	Top Roller 1/4" x 1/8" (6,3 x 3mm)
147-10	Top Roller 3/8" x 1/8" (9,5 x 3mm)
150-10	Top Roller 1/2" x 3/16" (13 x 5mm)
160-10	Top Roller 5/8" x 3/16" (16 x 5mm)
170-10	Top Roller 3/4" x 9/32" (19 x 7mm)
Top Rollers For Models -20	
170-20	Top Roller 3/4" x 9/32" (19 x 7mm)
180-20	Top Roller 3/4" x 1/2" (19 x 12mm)
190-20	Top Roller 7/8" x 1/2" (22 x 12mm)
200-20	Top Roller 1" x 5/8" (25 x 16mm)
205-20	Top Roller 1" x 5/16" (25 x 8mm)
Top Rollers For Models -40	
210-40	Top Roller 3/4" x 1/2" (19 x 12mm)
221-40	Top Roller 7/8" x 1/2" (22 x 12mm)
230-40	Top Roller 1" x 5/8" (25 x 16mm)
231-40	Top Roller 1-1/8" x 5/8" (28 x 16mm)
232-40	Top Roller 1-1/4" x 3/4" (32 x 19mm)
Floating Pitch Top Rollers (Inch / Metric)	
240-00	Floating Pitch Top Roller, T.P.I / -32 to 48 Metric Threads (0,5 to 0,8mm)
241-00	Floating Pitch Top Roller, T.P.I / -20 to 28 Metric Threads (1,0 to 1,25mm)
242-00	Floating Pitch Top Roller, T.P.I / -18 Pitch Metric Threads (1.5mm)
243-00	Floating Pitch Top Roller, T.P.I / -16 Pitch
244-00	Floating Pitch Top Roller, T.P.I / -14 Pitch Metric Threads (1,75mm)
245-00	Floating Pitch Top Roller, T.P.I / -13 Pitch Metric Threads (2,0mm)
246-00	Floating Pitch Top Roller, T.P.I / -12 Pitch
247-00	Floating Pitch Top Roller, T.P.I / -11 Pitch
248-00	Floating Pitch Top Roller, T.P.I / -10 Pitch Metric Threads (2,5mm)
Special Top Rollers-10	
250-10	Vee Top Roller For Mandrel System
260-10	Zero Style Top Roller For (Model -10) used with Standard Zero Roller Set
261-10	Extra Thin Zero Style Top Roller For (Model -10) used with Extra Thin Zero Roller Set
262-00	Thread Mandrel Style Top Roller For (Model -10,-20,-40)

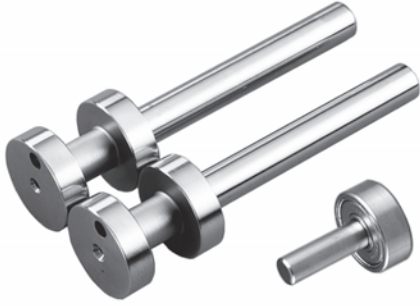
MAIN ROLLER SELECTION



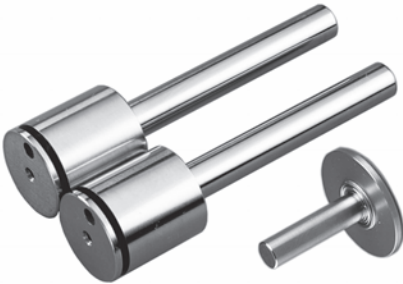
Full Plain Style



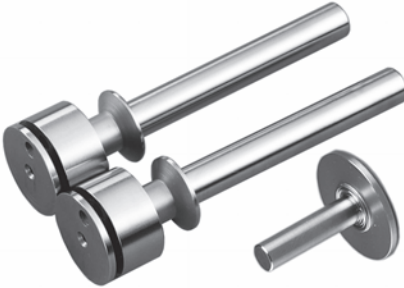
Half Plain Style



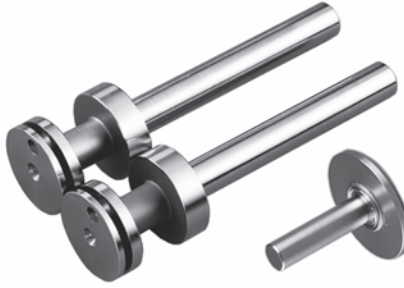
Quarter Plain Style



Full Plain Zero Style



Half Plain Zero Style



Quarter Plain Zero Style



Full Plain Short Style



Extra Thin Zero Style



Thread Style Rollers



145-10



146-10



147-10



150-10



160-10



170-10



180-20



190-20



200-20



205-20



210-40



220-40



221-40



240-10



250-10



260-10



261-10



262-00

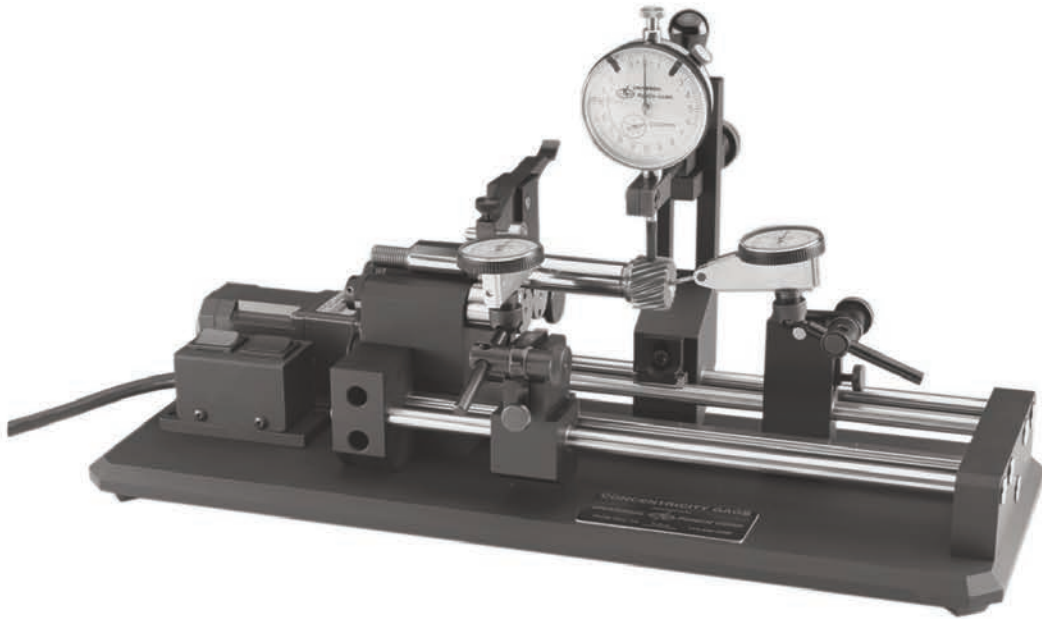
VARIABLE SPEED MOTORIZED DRIVE SYSTEMS

Part No.	Description
270-08	Model A-10 Variable Speed Motor Assembly, Includes Base Plate, 10"/254mm
270-10	Model B-10 Variable Speed Motor Assembly, Includes Base Plate, 15"/381mm
270-20	Model B-20 Variable Speed Motor Assembly, Includes Base Plate, 17"/432mm
270-40	Model B-40 Variable Speed Motor Assembly, Includes Base Plate, 19"/482mm
271-10	Model E-10 Variable Speed Motor Assembly, Includes Base Plate, 15"/381mm
271-20	Model E-20 Variable Speed Motor Assembly, Includes Base Plate, 17"/432mm
271-40	Model E-40 Variable Speed Motor Assembly, Includes Base Plate, 19"/482mm
272-10	Model G1-10 Variable Speed Motor Assembly, Includes Base Plate, 15"/381mm
272-20	Model G1-20 Variable Speed Motor Assembly, Includes Base Plate, 17"/432mm
272-40	Model G1-40 Variable Speed Motor Assembly, Includes Base Plate, 19"/482mm
273-10	Model G2-10 Variable Speed Motor Assembly, Includes Base Plate, 15"/381mm
273-20	Model G2-20 Variable Speed Motor Assembly, Includes Base Plate, 17"/432mm
273-40	Model G2-40 Variable Speed Motor Assembly, Includes Base Plate, 19"/482mm
274-10	Model H-10 Variable Speed Motor Assembly, Includes Base Plate, 17"/432mm
274-20	Model H-20 Variable Speed Motor Assembly, Includes Base Plate, 17"/432mm
274-40	Model H-40 Variable Speed Motor Assembly, Includes Base Plate, 17"/432mm
275-10	Model HL-10 Variable Speed Motor Assembly, Includes Base Plate, 29"/737mm
275-20	Model HL-20 Variable Speed Motor Assembly, Includes Base Plate, 29"/737mm
275-40	Model HL-40 Variable Speed Motor Assembly, Includes Base Plate, 29"/737mm
276-05	Model J-SLP Variable Speed Motor Assembly, Includes Base Plate, 10"/254mm
276-10	Model J-10 Variable Speed Motor Assembly, Includes Base Plate, 11"/267mm
276-20	Model J-20 Variable Speed Motor Assembly, Includes Base Plate, 12"/292mm
276-40	Model J-40 Variable Speed Motor Assembly, Includes Base Plate, 13"/318mm
277-10	Model K1-10 Variable Speed Motor Assembly, Includes Base Plate, 15"/381mm
277-20	Model K1-20 Variable Speed Motor Assembly, Includes Base Plate, 17"/432mm
277-40	Model K1-40 Variable Speed Motor Assembly, Includes Base Plate, 19"/482mm
278-10	Model K2-10 Variable Speed Motor Assembly, Includes Base Plate, 15"/381mm
278-20	Model K2-20 Variable Speed Motor Assembly, Includes Base Plate, 17"/432mm
278-40	Model K2-40 Variable Speed Motor Assembly, Includes Base Plate, 19"/482mm
279-10	Model KK1-10 Variable Speed Motor Assembly, Includes Base Plate, 15"/381mm
279-20	Model KK1-20 Variable Speed Motor Assembly, Includes Base Plate, 17"/432mm
279-40	Model KK1-40 Variable Speed Motor Assembly, Includes Base Plate, 19"/482mm
280-10	Model KK2-10 Variable Speed Motor Assembly, Includes Base Plate, 15"/381mm
280-20	Model KK2-20 Variable Speed Motor Assembly, Includes Base Plate, 17"/432mm
280-40	Model KK2-40 Variable Speed Motor Assembly, Includes Base Plate, 19"/482mm
281-10	Model LGM-10 Variable Speed Motor Assembly, Includes Motor Plate
281-20	Model LGM-20 Variable Speed Motor Assembly, Includes Motor Plate
296-00	110VAC/220VAC International Universal Transformer Required for 24VDC 1AMP
937179T	Foot Switch Industrial Grade

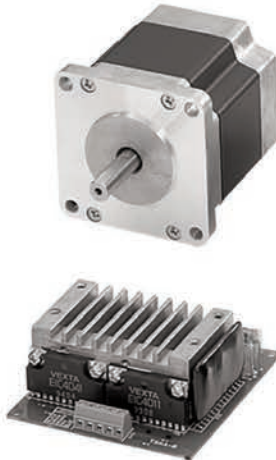
The above prices upgrade to a Variable Speed Drive System, 24VDC / 0-10rpm. The AXU Series combines a compact, brushless AC/DC motors with a built in speed control unit.

Where applications require hands-free for rotation, Universal has motorized accessories that adapt to all the gage models. Motorized Variable speed controlled motor installation includes; new base, on/off switch harness, forward/reverse switch, variable speed gearbox, and motor. To order, choose appropriate upgrade and transformer, then add these prices to the gage base price on page #1

VARIABLE SPEED MOTORIZED DRIVE SYSTEMS



220/110v Variable Speed,
Forward / Reverse Controller



Stepping Motors
Controller Systems



24VDC Variable Speed,
Forward / Reverse Controller



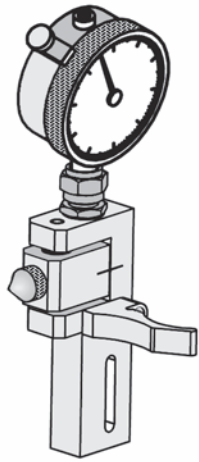
220VAC International Universal Transformer



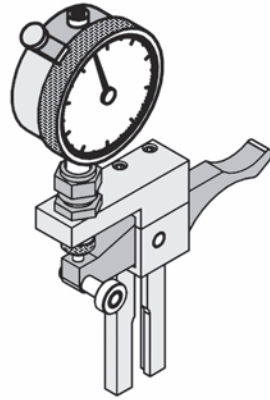
110VAC Transformer required for 24VDC 1AMP

ATTACHMENTS/ACCESSORIES

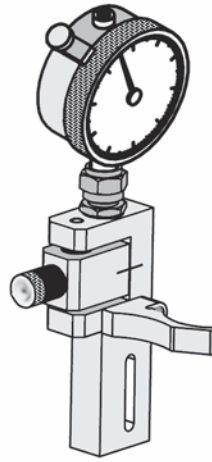
Part No.	Description
300-00	Screw Recess Checking Attachment (Model F-10,-20)
301-00	Dial Test Indicator Attachment (Model F-10,-20)
302-00	O.D. Hex Checking Attachment (Model F-10,-20)
303-01	Recess 45° Probe 3/8" Sizes
303-02	Recess 45° Probe 1/2" Sizes
303-03	Recess 45° Probe 5/8" Sizes
303-04	Recess 45° Probe 7/8" Sizes
304-00	Recess Screw Slot Probe
305-00	Female Punch Probes-Recess Punch Checker (Probe Sizes #1 thru #5)
306-01	Arm Yoke Assembly (JSLP-10)
306-02	Arm Yoke Assembly (JLP-10)
306-03	Arm Yoke Assembly (J-10)
306-04	Arm Yoke Assembly (J-20)
306-05	Arm Yoke Assembly (J-40)
306-10	Arm Yoke Assembly (All Models -10))
307-20	Arm Yoke Assembly (All Models -20)
308-40	Arm Yoke Assembly (All Models -40)
310-10	Top Stop Assembly (Model -10)
311-20	Top Stop Assembly (Model -20)
312-10	Back Stop Assembly (Model -10)
313-20	Back Stop Assembly (Model -20)
314-40	Back Stop Assembly (Model -40)
315-10	Flat Plate Top Stop (Model -10)
316-20	Flat Plate Top Stop (Model -20)
320-10	Ø 3/8" Adjustable Rod Stop with Spring, Locking Nut & Collar Stop (Models -10, -20, -40)
320-40	Ø 1/2" Adjustable Rod Stop with Spring, Locking Nut & Collar Stop (Models -40)
321-10	Ø 3/8" Collar Stop (Models -10, -20, -40)
321-40	Ø 1/2" Collar Stop (Models -40)
324-10	Diameter Checking Attachment (Model -10)
325-20	Diameter Checking Attachment (Model -20)
326-40	Diameter Checking Attachment (Model -40)
329-10	Front Carrier Assembly Attachment (Model -10)
330-20	Front Carrier Assembly Attachment (Model -20)
331-40	Front Carrier Assembly Attachment (Model -40)
332-00	Side Carrier (Models -10, -20)
333-00	Side Carrier (Model -40)
345-00	Standard Carrier (Models -10,-20)
346-00	Standard Carrier (Model -40)
347-10	Left Side Standard Carrier Assembly (Model -10)
347-20	Left Side Standard Carrier Assembly (Model -20)
347-40	Left Side Standard Carrier Assembly (Model -40)
349-00	Vertical Dial Carrier (Models -10, -20)
350-00	Vertical Dial Carrier (Model -40)
351-00	Vertical Dial Roller Carrier With Fine Adjustment (Models -10, -20)
352-00	Vertical Dial Roller Carrier With Fine Adjustment (Model -40)
353-00	Vertical Dial Roller Carrier (Models -10, -20)
354-00	Vertical Dial Roller Carrier (Model -40)
355-00	Horizontal Dial Carrier (Models -10, -20)
356-00	Horizontal Dial Carrier (Model -40)
390-00	Comparator Setting Pins And Lock Down Screw Kit (Models -10, -20)
391-00	Timing Belt Sets (Models JSLP + JLP-10)
392-00	Timing Belt Sets (Models -10)
393-00	Timing Belt Sets (Models -20)
394-00	Timing Belt Sets (Model -40)
395-00	Timing Belt Sets (Models LG-10)
396-00	Timing Belt Sets (Models LG-20)
397-00	Complete Drive System (Model JLP-10) Belts, Pulleys, Drive Knob & Pin
398-00	Complete Drive System (Models -10,-20) Belts, Pulleys, Drive Knob & Pin
399-00	Complete Drive System (Model -40) Belts, Pulleys, Drive Knob & Pin



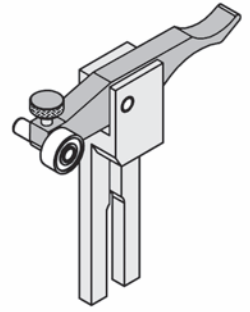
300-00



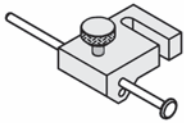
302-00



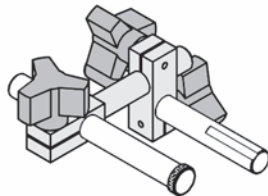
304-00



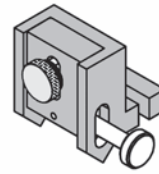
306-00



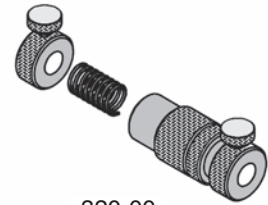
310-00



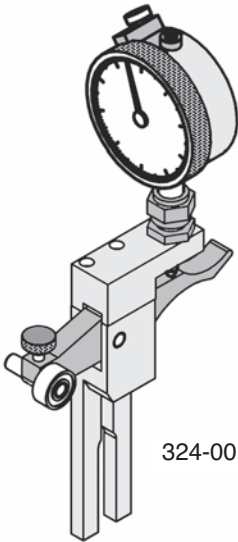
312-00



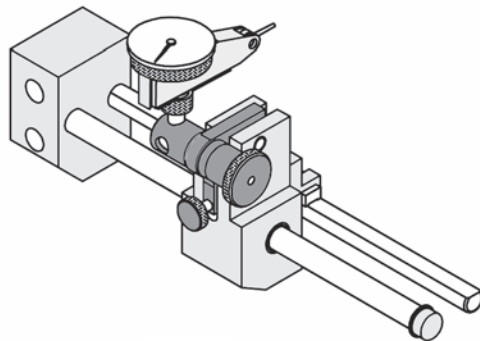
315-00



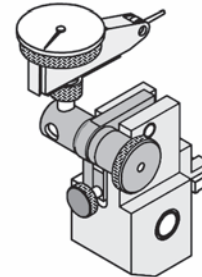
320-00



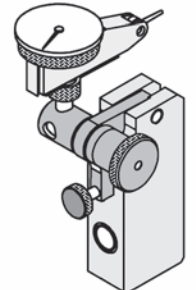
324-00



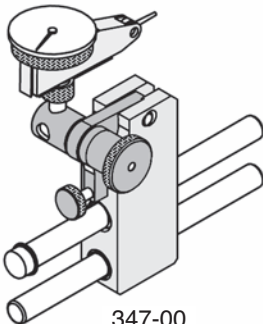
329-00



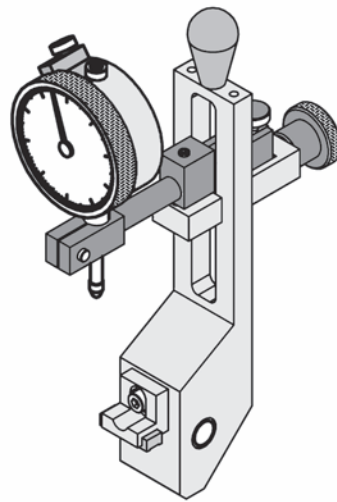
332-00



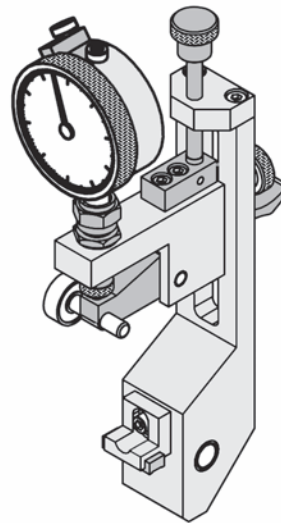
345-00



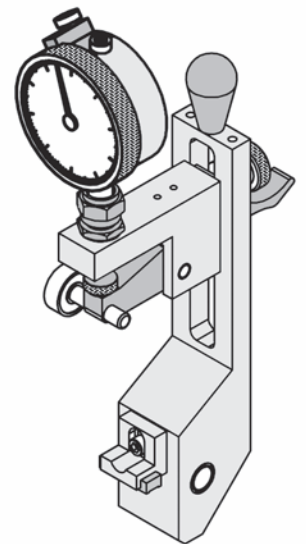
347-00



349-00



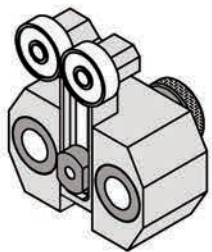
351-00



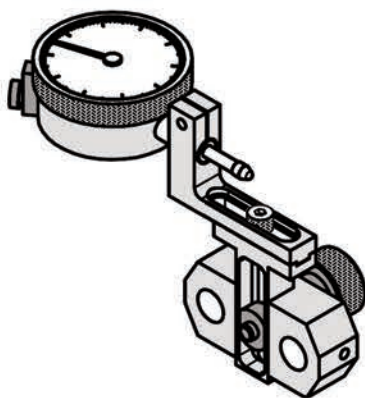
353-00

ATTACHMENTS/ACCESSORIES MODELS H & HL

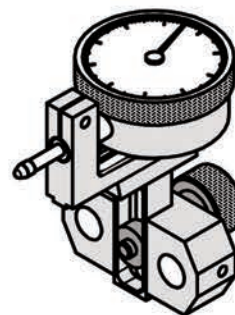
Part No.	Description
405-00	Arm Yoke Assembly (Model -10)
406-00	Arm Yoke Assembly (Model -20)
407-00	Arm Yoke Assembly (Model -40)
409-10	Support Roller Assembly (Model -10)
409-20	Support Roller Assembly (Model -20)
409-40	Support Roller Assembly (Model -40)
410-10	Horizontal Indicator Carrier Assembly (Model -10)
410-20	Horizontal Indicator Carrier Assembly (Model -20)
410-40	Horizontal Indicator Carrier Assembly (Model -40)
411-10	Front Horizontal Indicator Carrier Assembly (Model -10)
411-20	Front Horizontal Indicator Carrier Assembly (Model -20)
411-40	Front Horizontal Indicator Carrier Assembly (Model -40)
412-10	Vertical Indicator Carrier (Model -10)
412-20	Vertical Indicator Carrier (Model -20)
412-40	Vertical Indicator Carrier (Model -40)
413-10	Fine Adjustment Lead Screw Attachment (Model -10)
413-20	Fine Adjustment Lead Screw Attachment (Model -20)
413-40	Fine Adjustment Lead Screw Attachment (Model -40)
414-10	Vertical Roller Checker Carrier (Model -10)
414-20	Vertical Roller Checker Carrier (Model -20)
414-40	Vertical Roller Checker Carrier (Model -40)
415-10	Adjustable Floating Diameter Attachment 3mm - 20mm (Model -10)
415-20	Adjustable Floating Diameter Attachment 21mm - 24mm (Model -20)
415-40	Adjustable Floating Diameter Attachment 25mm - 100mm (Model -40)
416-10	Front Carrier Attachment With Vertical/or/ Rear Carrier (Model -10)
416-20	Front Carrier Attachment With Vertical/or/ Rear Carrier (Model -20)
416-40	Front Carrier Attachment With Vertical/or/ Rear Carrier (Model -40)
424-00	Front Stop Post Assembly (Models -10 & -20)
425-00	Fixed Carbide Balls Support (Models -10 & -20)
426-10	Wide End Roller Support (Model -10)
426-20	Wide End Roller Support (Model -20)
426-40	Wide End Roller Support (Model -40)
427-10	End Roller Support (Model -10)
427-20	End Roller Support (Model -20)
427-40	End Roller Support (Model -40)
428-10	Fixed Carbide Vee Assembly (Models H-10)
428-20	Fixed Carbide Vee Assembly (Models H-20)
428-40	Fixed Carbide Vee Assembly (Models H-40)
437-10	End Dial Test Indicator Carrier Assembly (Model -10)
437-20	End Dial Test Indicator Carrier Assembly (Model -20)
437-40	End Dial Test Indicator Carrier Assembly (Model -40)
442-10	Back Stop Assembly (Model -10)
442-20	Back Stop Assembly (Model -20)
442-40	Back Stop Assembly (Model -20)
443-10	Front Part Pusher Assembly (Model -10)
443-20	Front Part Pusher Assembly (Model -20)
443-40	Front Part Pusher Assembly (Model -40)
450-10	Timing Belt Sets (Model -10)
450-20	Timing Belt Sets (Model -20)
450-40	Timing Belt Sets (Model -40)
460-10	Ø 1/2" Adjustable Rod Stop with Spring, Locking Nut & Collar Stop (Model H, HL)
460-40	Ø 5/8" Adjustable Rod Stop with Spring, Locking Nut & Collar Stop (Models H-40, HL-40)
461-10	Ø 1/2" Collar Stop (Model H, HL)
461-40	Ø 5/8" Collar Stop (Model H-40, HL-40)



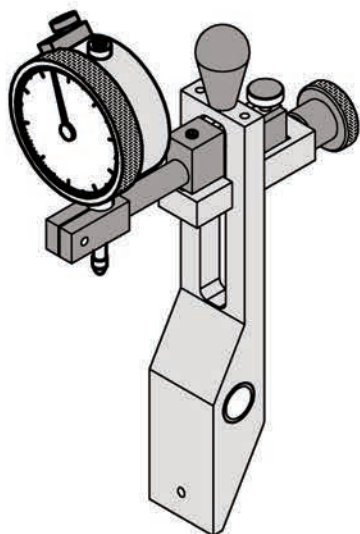
409-00



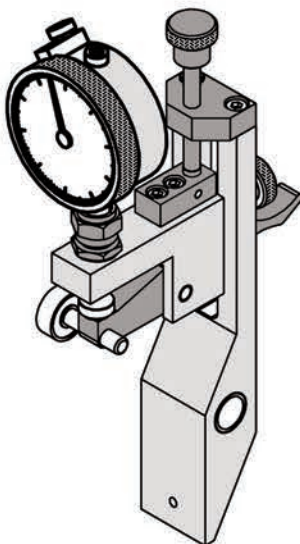
410-00



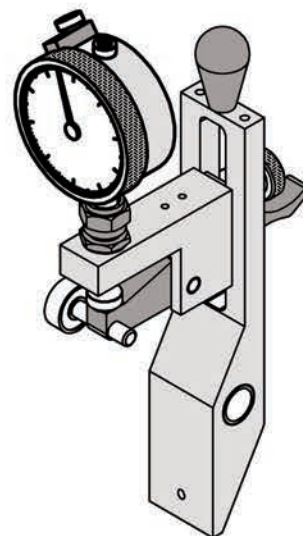
411-00



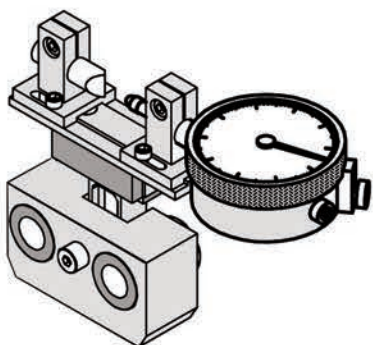
412-00



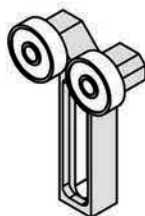
413-00



414-00



415-00



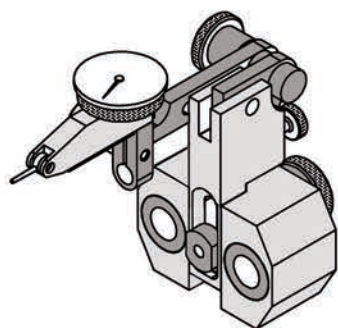
426-00



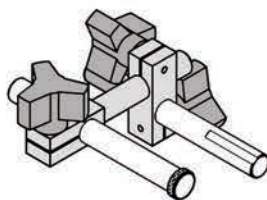
427-00



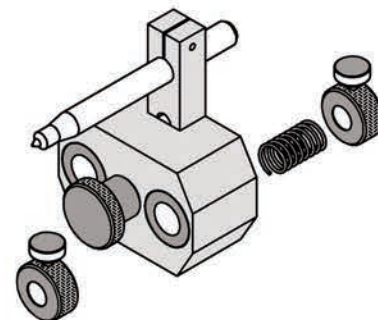
428-00



437-00



442-00

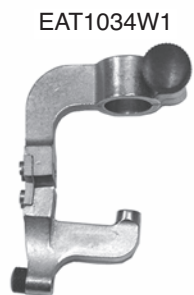
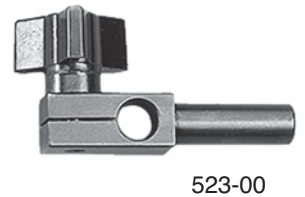
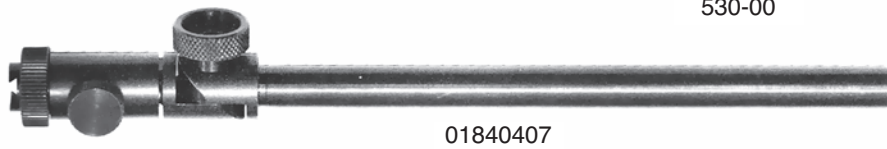
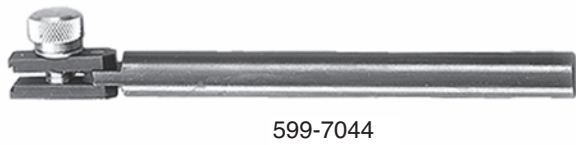
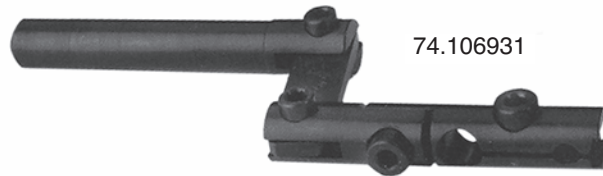
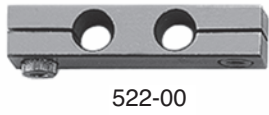
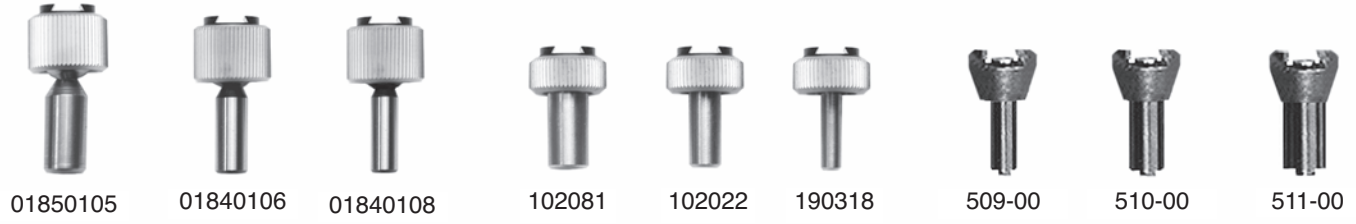


443-00

INDICATOR MOUNTS & ATTACHMENTS

Part No.	Description
190318	Fixed shank dovetail clamp \varnothing 5/32" x 1/2" (4mm x 20mm)
102022	Fixed shank dovetail clamp \varnothing 1/4" x 13/16" (6mm x 20mm)
102081	Fixed shank dovetail clamp \varnothing 3/8" x 1/2" (9.5mm x 20mm)
190327	Shank dovetail nut
01840404	Short swivel holder with cylindrical shank and dovetail clamp
01850405	Long swivel holder with cylindrical shank and dovetail clamp
01840501	Half "C" extension holder \varnothing 1/4" x 4" (6,3mm x 102mm)
01840407	Long swivel holder with cylindrical shank and dovetail clamp w/ fine adjustment
01850105	Fixing shank swivelling through $\pm 30^\circ$ \varnothing 1/4"
01850107	Rigid fixing shank \varnothing 1/4"
01840106	Fixing shank swivelling through $\pm 30^\circ$ \varnothing 8mm
01840107	Rigid fixing shank \varnothing 8mm
01840108	Fixing shank swivelling through $\pm 30^\circ$ \varnothing 4mm
01840109	Rigid fixing shank \varnothing 4mm
1860108	Fixing Shank With Dovetail Clamp
509-00	Indicator Dovetail Mount \varnothing 1/4" (6mm x 20mm)
510-00	Indicator Dovetail Mount \varnothing 5/32" (4mm x 20mm)
511-00	Indicator Dovetail Mount \varnothing 3/8" (9,5mm)
512-00	Perpendicular Bracket Clamp \varnothing 3/8" (9,5mm)
516-00	Universal Extention Clamp \varnothing 3/8" (9,5mm)
517-00	Adapter Reducer Bushing Clamp \varnothing 3/8" to \varnothing 8mm size
518-00	Half "C" Extention Holder
519-00	\varnothing 3/8" Indicator Dovetail Mount
520-00	Back Stop Perpendicular Bracket Clamp \varnothing 3/8" (9,5mm)
521-00	Back Stop Parallel Bracket Clamp \varnothing 3/8" (9,5mm)
523-00	Right Angle Attachment \varnothing 3/8" (9,5mm) x L=1-1/2" (40mm)
524-00	Right Angle Attachment \varnothing 3/8" (9,5mm) x L= 3-1/2" (89mm)
525-00	Right Angle Attachment \varnothing 3/8" (9,5mm) x L= 6" (152mm)
526-00	Combination Indicator Swivel Support and Dovetail Bracket
599-7042	Indicator Swivel Support \varnothing 1/4" (6,3mm) x L=1-1/2" (40mm)
528-00	Indicator Swivel Support \varnothing 1/4" (6,3mm) x L= 3-1/2" (89mm)
599-7044	Indicator Swivel Support \varnothing 3/8" (9,5mm) x L= 3-1/2" (89mm)
530-00	Indicator Swivel Clamp (Model -10)
531-00	Indicator Swivel Clamp (Model -20)
532-00	Indicator Swivel Clamp (Model -40)
74.106931	Axial Support Indicator Clamp
74.108603	Universal Clamp A12/310
27994	SPT Rotating Holder \varnothing 8mm x 25mm
27995	SPTA Rotating Holder \varnothing 1/4" x 25mm
25838	SPTA-3/16 Rotating Holder \varnothing 3/16" x 25mm
25872	SPTA-3/8 Rotating Holder \varnothing 3/8" x 25mm
27777	TA6 Fixed Stem \varnothing 5/16" x 25mm
27782	TMA6 Swivel Stem Through $\pm 30^\circ$ \varnothing 5/16" x 25mm
27782	TA8 Fixed Stem \varnothing 3/8" x 25mm
27783	TMA8 Swivel Stem Through $\pm 30^\circ$ \varnothing 3/8" x 25mm
EAT1032W1	1"/25mm Hole Attachment
EAT1033W1	1.87"/47.5mm Hole Attachment
EAT1034W1	.187"/47.5mm Right Angle Attachments
EAT1035W1	.06"1.5mm Right Angle Attachments

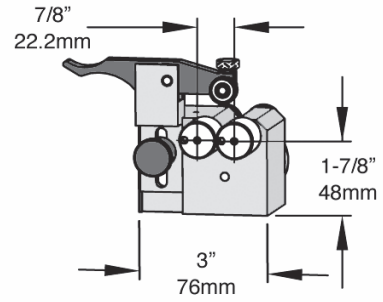
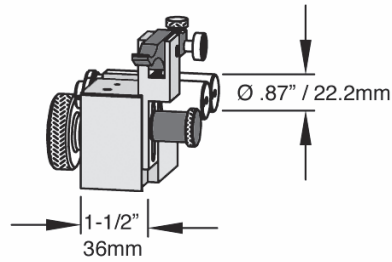
INDICATOR MOUNTS & ATTACHMENTS



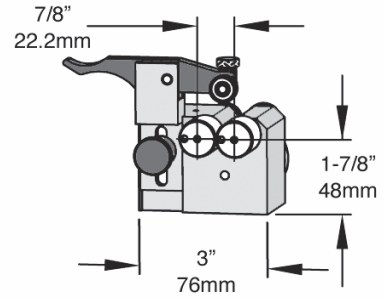
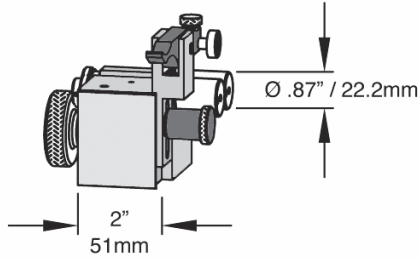
GAGE CAPACITY / GENERAL DATA

MODEL TYPE General Data	A-10 Min / Max	B-10 Min / Max	B-20 Min / Max	B-40 Min / Max	E-10 Min / Max	E-20 Min / Max	E-40 Min / Max	--F-10 Min / Max	F-20 Min / Max
Part Diameter:	.12" - 1" 3,2-25mm	.12" - 1" 3,2-25mm	.37" - 2" 10-50mm	.75" - 4" 20-102mm	.12" - 1" 3,2-25mm	.37" - 2" 10-50mm	.75" - 4" 20-102mm	.12" - 1" 3,2-25mm	.37" - 2" 10-50mm
Part Length:	.06" - 3" 1,5-76mm	.06" - 4" 1,5-102mm	.18" - 6" 4,7-152mm	.25" - 8" 6,3-203mm	.18" - 4" 4,7-102mm	.18" - 6" 4,7-152mm	.25" - 8" 6,3-203mm	.18" - 4" 4,7-102mm	.18" - 6" 4,7-152mm
Gage Length:	8.5" 216mm	10.5" 267mm	12.5" 318mm	14.5" 368mm	10.5" 267mm	12.5" 318mm	14.5" 368mm	10.5" 267mm	12.5" 318mm
Gage Width:	4.5" 114mm	4.5" 114mm	4.5" 114mm	6" 152mm	4.5" 114mm	4.5" 114mm	6" 152mm	4.5" 114mm	4.5" 114mm
Gage Height:	6" appx. 152mm	6" appx. 152mm	6" appx. 152mm	8" appx. 203mm	6" appx. 152mm	6" appx. 152mm	8" appx. 203mm	6" appx. 152mm	6" appx. 152mm
Shipping Weight:	4.5 lb 2.0 kg	4.9 lb 2.2 kg	6.4 lb 2.9 kg	11.2 lb 5.1 kg	4.9 lb 2.2 kg	6.4 lb 2.9 kg	11.2 lb 5.1 kg	4.9 lb 2.2 kg	6.4 lb 2.9 kg
MODEL TYPE General Data	G1,G2-10 Min / Max	G1,G2-20 Min / Max	G1,G2-40 Min / Max	H-10 Min / Max	H-20 Min / Max	HL-10 Min / Max	HL-20 Min / Max	JSLP,J-10 Min / Max	J-20 Min / Max
Part Diameter:	.12" - 1" 3,2-25mm	.37" - 2" 10-50mm	.75" - 4" 20-104mm	.12" - 1" 3,2-25mm	.37" - 2" 10-50mm	.12" - 1" 3,2-25mm	.37" - 2" 10-50mm	.12" - 1" 3,2-25mm	.37" - 2" 10-50mm
Part Length:	.18" - 4" 4,7-102mm	.18" - 6" 4,7-152mm	.25" - 8" 6,3-203mm	.18" - 12" 4,7-305mm	.18" - 12" 4,7-305mm	.18" - 24" 4,7-610mm	.18" - 24" 4,7-610mm	.18" - 4" 4,7-102mm	.18" - 6" 4,7-152mm
Gage Length:	10.5" 267mm	12.5" 318mm	14.5" 368mm	12.5" 318mm	12.5" 318mm	24.5" 622mm	24.5" 622mm	6" 152mm	7" 178mm
Gage Width:	4.5" 114mm	4.5" 114mm	6" 152mm	5.5" 140mm	5.5" 140mm	5.5" 140mm	5.5" 140mm	4.5" 114mm	5" 127mm
Gage Height:	6" appx. 152mm	6" appx. 152mm	8" appx. 203mm	9" appx. 229mm	9" appx. 229mm	9" appx. 229mm	9" appx. 229mm	5-1/2" appx. 140mm	5-1/2" appx. 140mm
Shipping Weight:	4.9 lb 2.2 kg	6.4 lb 2.9 kg	11.2 lb 5.1 kg	7.5 lb 3.4 kg	8.5 lb 3.9 kg	24.5 lb 11.1 kg	26.5 lb 12 kg	3.5 lb 1.6 kg	4.4 lb 2.0 kg
MODEL TYPE General Data	J-40 Min / Max	K1,K2-10 Min / Max	K1,K2-20 Min / Max	K1,K2-40 Min / Max	KK1,KK2-10 Min / Max	KK1,KK2-20 Min / Max	KK1,KK2-40 Min / Max	LG,LGM-10, Min / Max	LG,LGM-20, Min / Max
Part Diameter:	.75" - 4" 20-102mm	.12" - 1" 3,2-25mm	.37" - 2" 10-50mm	.75" - 4" 20-102mm	.12" - 1" 3,2-25mm	.37" - 2" 10-50mm	.75" - 4" 20-102mm	.01" - .75" 0,3-19mm	.37" - 2" 10-50mm
Part Length:	.25" - 8" 6,3-203mm	.18" - 4" 4,7-102mm	.18" - 6" 4,7-152mm	.25" - 8" 6,8-203mm	.18" - 4" 4,7-102mm	.18" - 6" 4,7-152mm	.25" - 8" 6,8-203mm	.18" - 6" 4,7-152mm	.18" - 6" 4,7-152mm
Gage Length:	8.5" 216mm	10.5" 267mm	12.5" 318mm	14.5" 368mm	10.5" 267mm	12.5" 318mm	14.5" 368mm	2" 51mm	2.5" 64mm
Gage Width:	6.5" 165mm	6.5" 165mm	6.5" 165mm	8" 203mm	4.5" 114mm	6.5" 165mm	8" 203mm	2.5" 64mm	3.5" 89mm
Gage Height:	9" apx. 229mm	6" appx. 152mm	6" appx. 152mm	8" appx. 203mm	6" appx. 152mm	6" appx. 152mm	8" appx. 203mm	7" appx. 178mm	8.5" appx. 216mm
Shipping Weight:	9.2 lb 4.2 kg	11.5 lb 5.2 kg	14.8 lb 6.8 kg	18.5 lb 8.4 kg	11.5 lb 5.2 kg	14.8 lb 6.8 kg	18.5 lb 8.4 kg	3.5 lb 1.6 kg	4.5 lb 2.0 kg

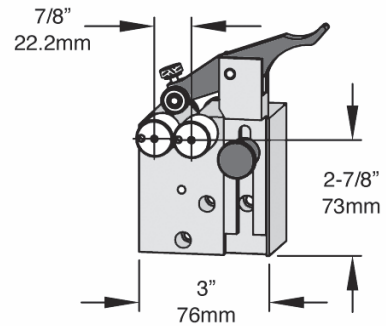
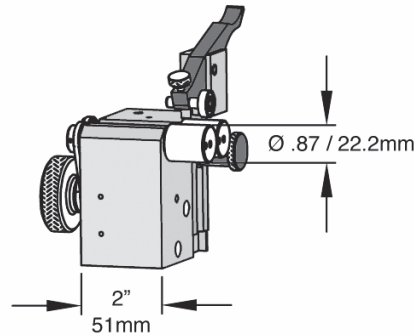
Block Size -10SLP
 Gage Capacities:
 Diameters: 1/8"-1" / 3-25mm
 Lengths: up to 3" / 76mm
 Support Prusure: 9lbs / 1.2Nm



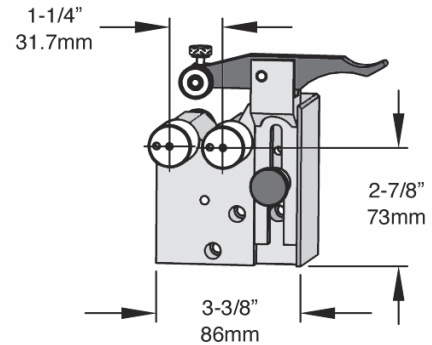
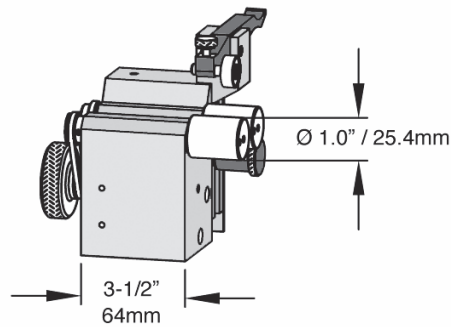
Block Size -10LP
 Gage Capacities:
 Diameters: 1/8"-1" / 3-25mm
 Lengths: up to 3" / 76mm
 Support Prusure: 9lbs / 1.2Nm



Block Size -10
 Gage Capacities:
 Diameters: 1/8"-1" / 3-25mm
 Lengths: up to 3" / 76mm
 Support Prusure: 9lbs / 1.2Nm



Block Size -20
 Gage Capacities:
 Diameters: 3/8"-2" / 10-50mm
 Lengths: up to 6" / 152mm
 Support Prusure: 15lbs / 2.0Nm



Block Size -40
 Gage Capacities:
 Diameters: 3/4"-4" / 20-102mm
 Lengths: up to 8" / 203mm
 Support Prusure: 32lbs / 4.4Nm

