

### Easy operation using keypad and touch screen navigation

Contextual guidance on the large-screen touch panel supports your measurements.



#### Simple, straightforward keys with icons

Icons allow the user to find the required operation at a glance.

##### Basic measurements

Height (top) measurement	Height (bottom) measurement	Width (inside) measurement	Width (outside) measurement
Shaft (top) measurement	Shaft (bottom) measurement	Circle (shaft) measurement	Max.-Min. (top) measurement
Hole (bottom) measurement	Hole (top) measurement	Circle (hole) measurement	Max.-Min. (bottom) measurement

##### Advanced measurement functions

Part program measurement	2D measurement	Power

##### Power

##### Measurement settings

Measurement origin setting	Probe selection	Measurement origin switching

##### Other

Home screen	System settings	Data output

#### Touch panel with guidance

Measurement guidance is displayed on the large touch panel of the 8.4-inch color LCD, enabling intuitive operation.



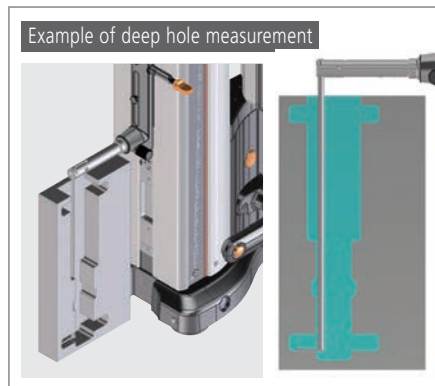
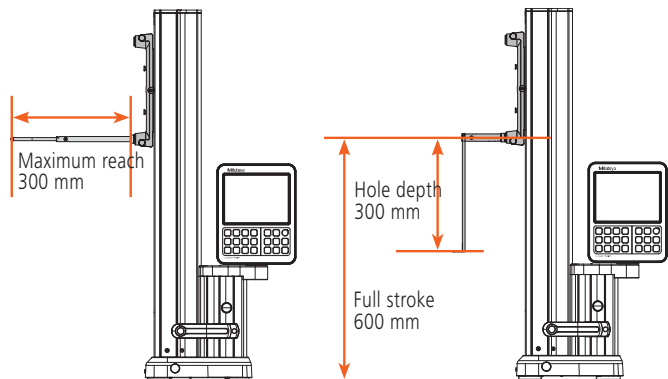
Guidance screen



Operable with gloves

#### Expanded measurement area

With the new optional probes, you can now measure areas that were beyond the capacity of conventional probes.



To see full brochure,  
use the QR code below.

