



USB 2.0 & 3.0 CAMERAS

WI-FI CAMERAS

FULL HD CAMERAS

TABLET SOLUTIONS

Motic[®]
MORE THAN MICROSCOPY



Product Range Catalogue

MOTICAMSERIES



MOTICAM

For the past 15 years, Motic has been pioneering attachable digital microscopy solutions that continue to revolutionize the way even old microscopes can be reborn.

Starting out with very humble VGA resolution all those years ago, we are now looking at the Moticam 10+ with a whopping 10 MP of live imaging through high speed USB3 connections. Whether it is Wi-Fi, HDMI, USB3 or SD card, there is a way for you to share data that exactly fits your need.

Your Motic Europe Team





THE [AllinOneBOX] CONCEPT

Always listening to our end-users, each of the Moticam you will find in this booklet is packed with tools that you - the user - will find not only useful, but perfectly fitted to your needs. This means that the Moticams are probably the only All-in-One Box digital microscopy solution available at that price.

Having the epithet All-in-One Box means that with each Moticam you will get the tools and the software to immediately start turning your microscope into a digital workstation.

As you browse this catalogue, you will find that the flexibility is not only in the possibility to attach the cameras to almost any microscope, but also in being able to deliver a powerful software application suite to almost any platform.

SEE WHAT YOUR MOTICAM BOX INCLUDES

AN ATTACHABLE CAMERA



containing a sensitive professional imaging chip housed inside a C-Mount case including a removable IR cut-off filter

A FOCUSABLE COATED GLASS LENS



matched to the size of the imaging chip

TWO ADJUSTABLE SIZE EYEPIECE ADAPTERS



that allow you to attach the camera onto almost any microscope without having to remove the eyepiece

A 4-DOT CALIBRATION SLIDE



with micrometer cross-hairs that ensures accurate calibration for precise measurements

A MACRO VIEWING TUBE



that used together with the focusable lens is ideal for using the camera without a microscope

ALL NECESSARY CABLES



and power supplies

A FULL VERSION OF MIP 3.0 APPLICATION SOFTWARE



provides all you need to quantify, measure, annotate, teach, learn...and much more

WI-FI CAMERAS

As good as USB or HDMI connections are, sometimes you just need to cut away from the wires and have a live image transmitted to your tablet, your computer or your phone wirelessly. As with all Moticams, proper image representation as well as quantification tools such as measurements and annotations are still kept available no matter what device you are using to view the live images.

Free applications are available for iOS, Android as well as Windows Mobile devices. Both cameras below come with our focusable lens, eyepiece adapters as well as full application software suite.





Moticam X³

The Moticam X³ is the first and most cost-effective wireless camera in our range. This camera gets its power from an attached USB cable; you can keep it powered from USB 5V power supply. By creating its own Wi-Fi access point, you can easily share the live image with several users on different platforms.

For more demanding users, the Moticam X³ captures images at 4.0MP and it is much faster, transferring live images up to 30 fps. It also allows you to integrate it to your own network either via Wi-Fi or Ethernet cable, allowing more users to be connected. Alternatively, it also works with our standard Motic Images Plus Software for computers.

FULL HD

CAMERAS

High Definition monitors and televisions are common-place in many schools, labs and clinics. Motic has launched three models that feature uncompromised HDMI output directly to those screens.

With built-in image processing tools, simply connect your mouse to the camera and take full control over the image parameters and still or video capture modes.



MOTICAM 1080
MOTICAM 1080 BMH





Moticam
1080

Moticam
1080BMH & INT

Moticam 1080

The Moticam 1080 has HDMI and USB outputs as well as a slot for an SD-card. Work with the 1080 without the need for a computer by connecting a wireless mouse and have all controls on screen. As with all other Moticams, you can use the Moticam 1080 with a computer. Simply use the USB connection and connect it straight to your PC for use with the supplied Motic Images Plus application software.

Moticam 1080BMH

The 1080 BMH is a full HD station featuring an attached 11" HDMI screen. All the functions of the 1080 can be found on the 1080 BMH and controlled on its own HDMI screen making this a very efficient package for both stereo and compound microscopes.

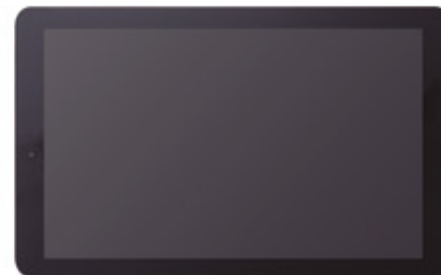
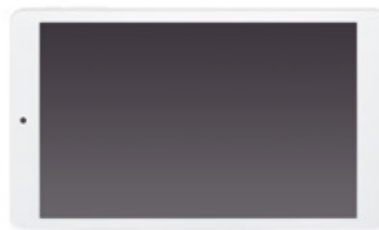
TABLET SOLUTIONS

Bringing digital microscopy to the compact screens of tablets is Motic's focus in the foreseeable future. Tablets and other mobile devices are becoming common in schools, hospitals and at the workplace, therefore we have devised a few connection methods to allow a conversion of almost any microscope into a truly mobile digital microscopy platform.

In order to take full advantage of Motic's long history with affordable yet powerful solutions, our versatile software applications are now also ported to iOS, Android and Windows mobile devices therefore allowing you the freedom to choose how you wish to share your microscope.



MOTICAM BTX8
MOTICAM BTX10





Moticam
BTX8

Moticam
BTX10

Moticam
BTW

Moticam **BTX8**

The Moticam BTX8 combines a space-saving camera hardware with new Wi-Fi technology. The 4MP Wi-Fi camera comes together with an 8" Android tablet to deliver fast live images up to 30 fps. Detaching the tablet for an even more flexible application is possible thanks to the Wi-Fi data transfer.

Moticam **BTX10**

The Moticam BTX10 is a tablet microscopy solution, consisting of a customized 10" Android tablet connected to a microscopy imaging camera of 5MP. The android tablet is easily detachable and replaceable and is completely separate from the camera, therefore providing maximum flexibility.



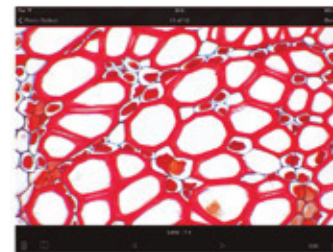
MOTICONNECT APP

More and more people are using mobile devices in all aspects of their lives, including work. Digital Microscopy should not be an exception to this trend. And for this reason, we have created MotiConnect that works with iOS, Android as well as Windows mobile devices.

MotiConnect allows you to view live camera streams, capture and measure, annotate and share your microscope image by simply touching the icons on your tablet. This application is popular amongst students, professors and professionals alike as it is easy to use and intuitive, even to tablet novices.



MotiConnect App

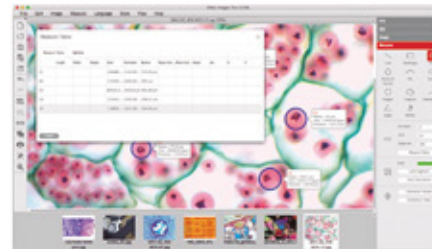
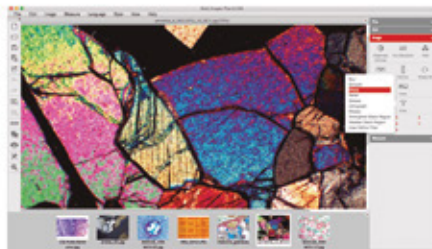




MOTIC IMAGES PLUS 3.0

This new software package is a complete rework of our popular Motic Images Plus 2.0. Having listened to feedback from end-users, we have packed as many useful features and tools as possible into this software suite while still keeping it organized, intuitive and easy to use. Best of all is its price tag. It is given free of charge to any Moticam purchase. That makes the Motic Images Plus 3.0 probably the most versatile and comprehensive free digital microscopy program in the market today.

With tools such as counting, annotations, live measurements and filters, this software package allows everyone to be able to quantify the images their microscope provides. Our dedicated software department is able to convert new ideas into software tools easily and therefore we provide periodic free of charge updates to the software. Have a good idea for new feature? Contact us anytime.



USB



Wi-Fi



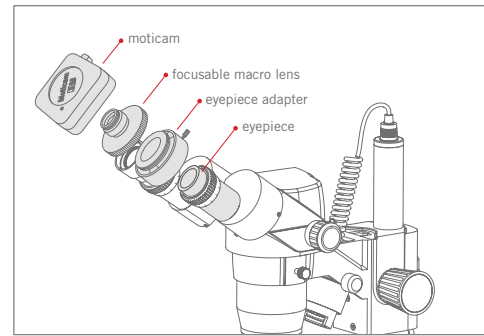
Motic Images Plus 3.0
Image Analysis Software

IF YOU HAVE A MONOCULAR OR A BINOCULAR MICROSCOPE



Eyepiece coupler

The first option you have in case you have a monocular or a binocular microscope, is to mount the Moticam onto the eyepiece with the included eyepiece coupler that comes included in your Moticam box.



Onto the eyepiece

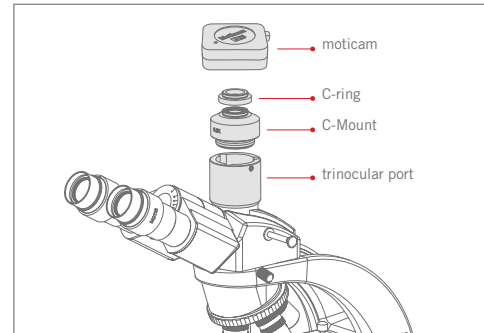
Attach the camera to the focusable macro lens and select the correct eyepiece coupler for your microscope. Put the complete combination onto the eyepiece.

IF YOU HAVE A TRINOCULAR MICROSCOPE



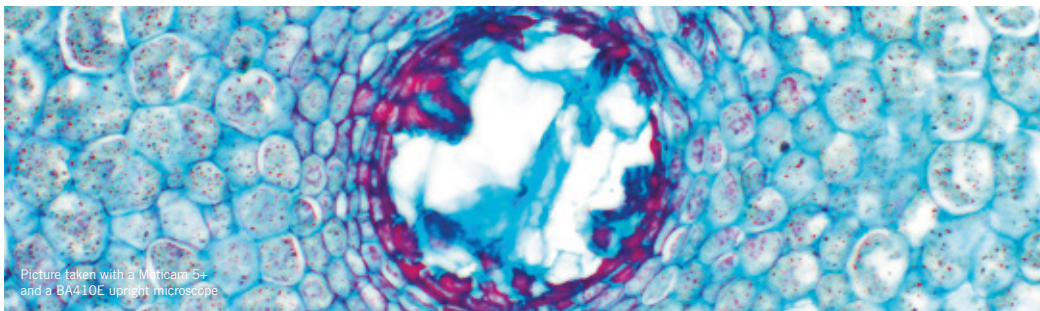
C- Mount adapter

The C-Mount adapter allows you to attach your camera to the trinocular port of your microscope, combining optical and mechanical tasks. The adapter has to be chosen in relation to the chip size of your camera, and it is brand and model specific. It has to be bought to your microscope supplier. Depending on the area of the FOV you wish to capture, you can choose among different magnification factors: 1X, 0.65X, 0.5X or 0.35X.

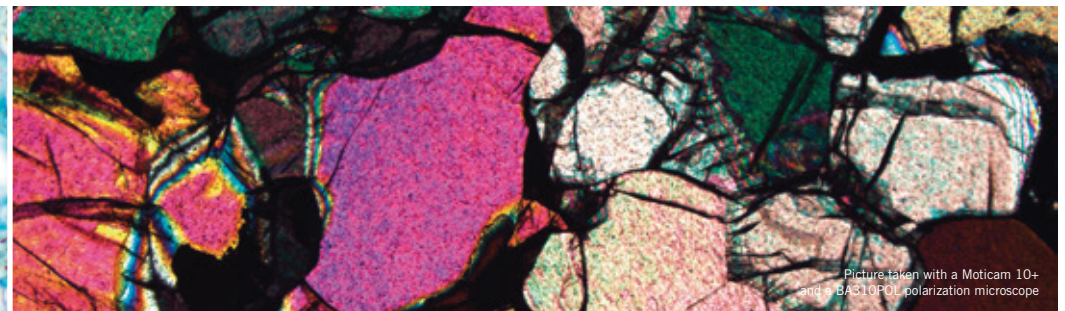


Onto the trinocular tube

Attach the Moticam to the C-Mount adapter and then fix it to the trinocular port. The C-Mount adapter needs to be chosen according to the chip size of the camera.

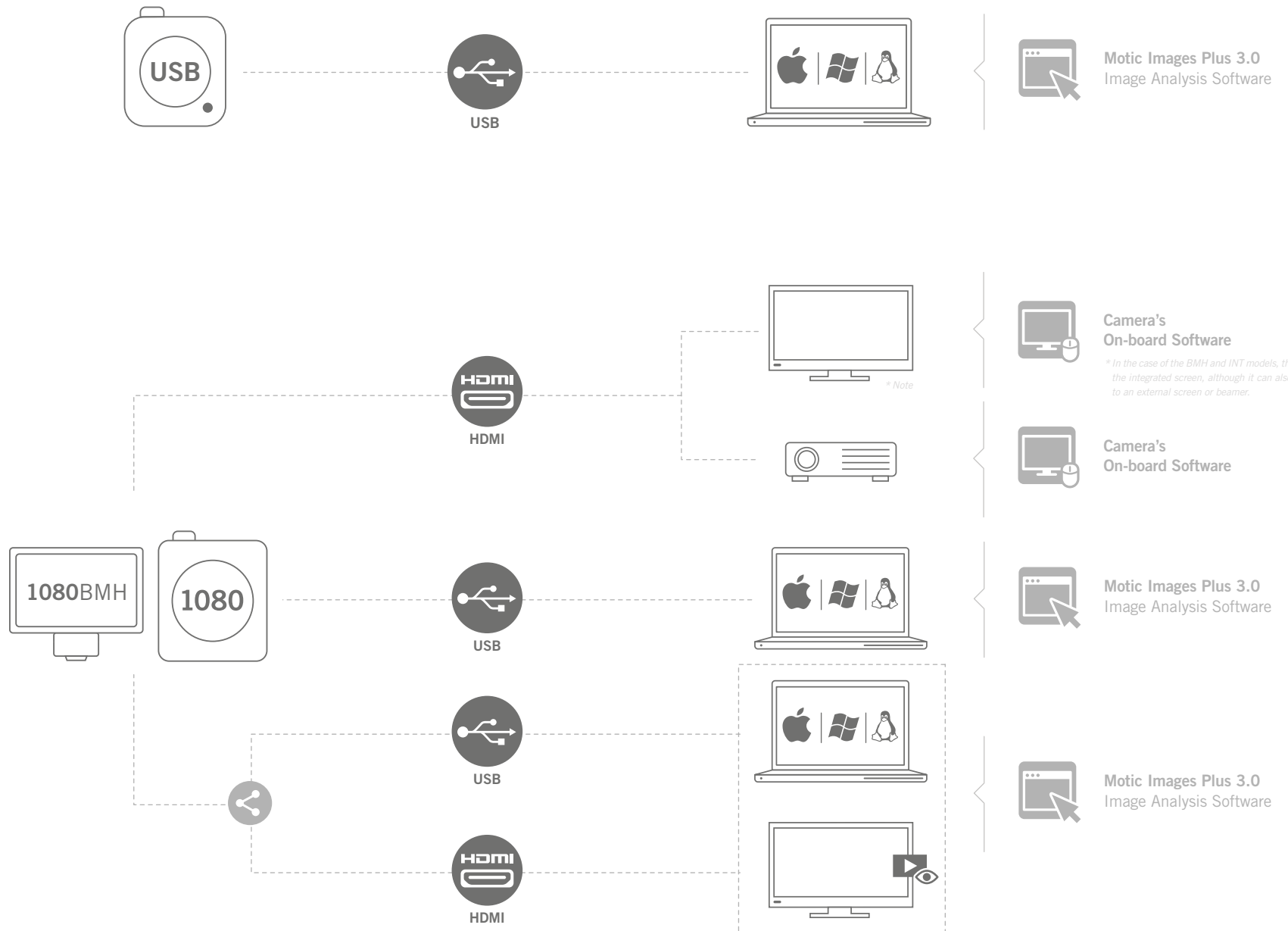


Picture taken with a Moticam 5+ and a BA410E upright microscope

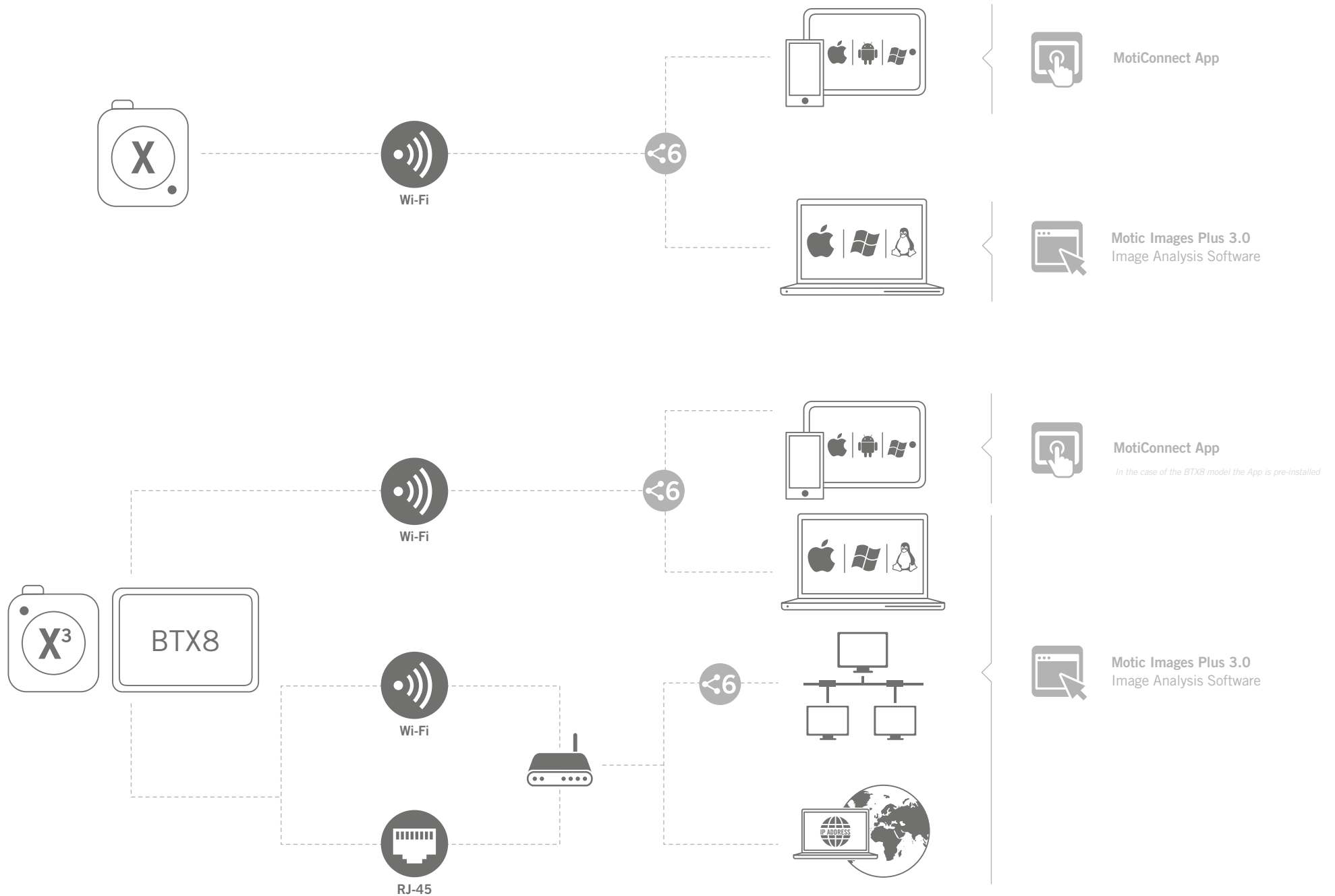


Picture taken with a Moticam 10+ and a BA310POL polarization microscope

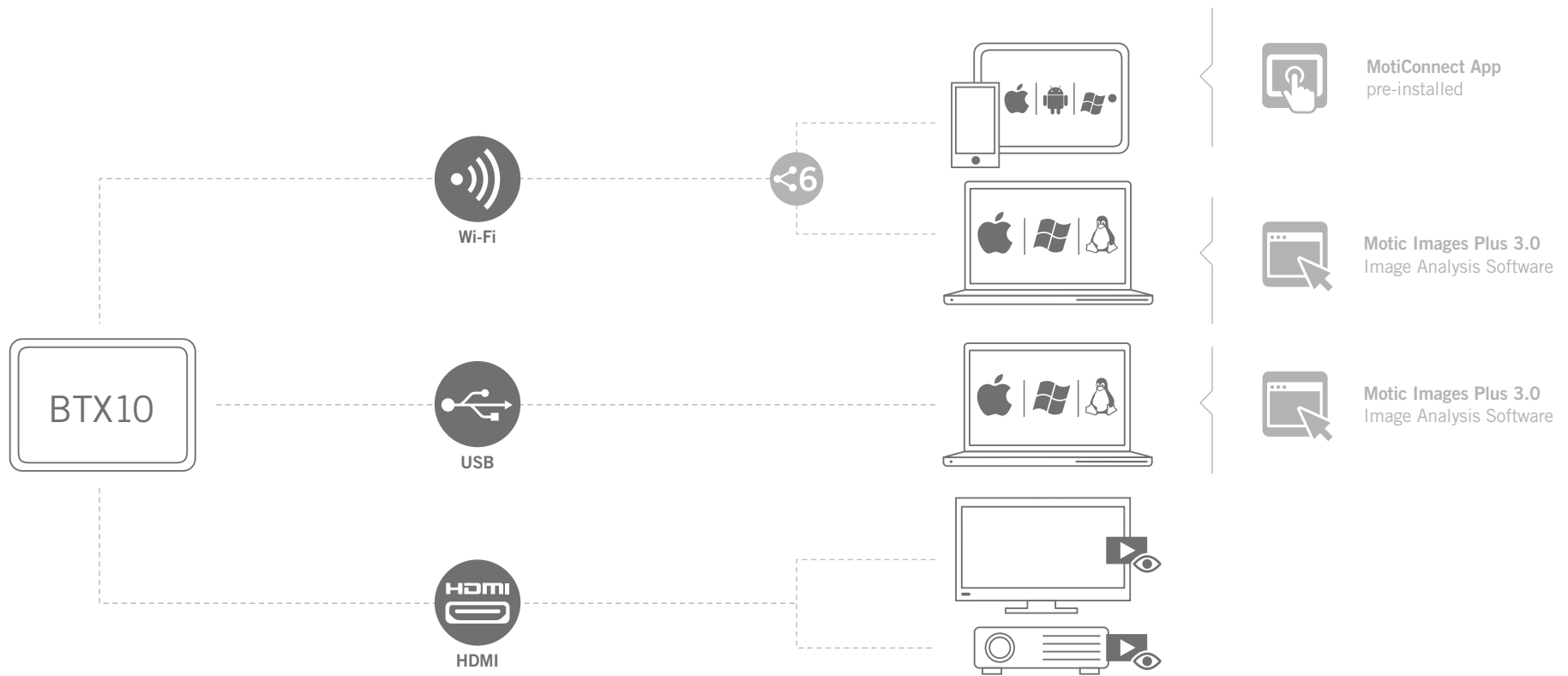
UNDERSTANDING OUR CAMERAS... FIND YOUR WAY



UNDERSTANDING OUR CAMERAS... FIND YOUR WAY



UNDERSTANDING OUR CAMERAS... FIND YOUR WAY



MOTICAM	X ³	1080	1080 BMH	BTX8	BTU10	MOTICAM
Sensor Type	CMOS	CMOS	CMOS	CMOS	CMOS	Sensor Type
Sensor Size	1/3"	1/2.8"	1/2.8"	1/2.5"	1/2.5"	Sensor Size
Capture resolution	4.0 MP	Still Image: 8.0MP (3840 x 2160) / Video: Full HD 1920 x 1080		4.0MP	5.0MP	Capture resolution
Live Display Mode (through USB)	-	1920 x 1080 (Full HD)		1280 x 800 (display resolution)		Live Display Mode (through USB)
Live display mode (through Wi-Fi)	1920 x 1080 or 1280 x 720 (Wi-Fi & Ethernet)	-	-	1920 x 1080, 1280 x 720 (display resolution)	-	Live display mode (through Wi-Fi)
Live Display Mode (through HDMI)	-	1920 x 1080 (Full HD)		720P (HD)		Live Display Mode (through HDMI)
Pixel Size	2.0µm x 2.0µm	2.8µm x 2.8µm		2.2µm x 2.2µm		Pixel Size
Data Transfer	Wi-Fi and Ethernet (RJ45)	HDMI (1080p) and USB 2.0		Wi-Fi and Ethernet (RJ45)	USB	Data Transfer
Frames per second (fps*)	1920 x 1080 Up to 30 fps 1280 x 960 Up to 30 fps depending on Wi-Fi strength	USB: 1920 x 1080 (Full HD) @ 30 fps HDMI: 1920 x 1080 (Full HD) @ 60 fps		1920 x 1080 Up to 30 fps 1280 x 960 Up to 30 fps depending on Wi-Fi strength	1280 x 1024 @ 10 fps (USB) 1280 x 720 @ 10 fps (USB) 800 x 600 @ 20 fps (USB)	Frames per second (fps*)
Exposure Time	0,03 msec to 0,03 sec	0.06ms ~ 40ms with Auto Exposure mode (0.06ms ~ 999ms with Manual Exposure mode)		0,03 msec to 0,03 sec	0,09 msec to 6 sec	Exposure Time
Slot	-	SD Card (max 32Gb)		-	-	Slot
Support Device	Twain and Direct Show Driver			Universal Web browser (HTML5)	-	Support Device
Supported OS	Microsoft Windows 7/8/MAC OSX/ Android 4,0 or higher/iOS7 or higher	Microsoft Windows 7/8/10 and MAC OSX & Linux			Microsoft Windows 7/8/MAC OSX/ Android 4,0 or higher/iOS7 or higher	Supported OS
Minimum Computer Requirements	2GHz dualcore - RAM memory 2GB - Video memory min. 512 MB					Minimum Computer Requirements
Lens Mount		C-Mount		C-Mount		Lens Mount
Focusable Lens	12mm	12mm	-	-	-	Focusable Lens
Screen	-	11.6" Native 1920 x 1080 Full HD screen with bracket		8" IPS Tablet	10" IPS Tablet	Screen
Software	(free download)	On-board software		MotiConnect App (pre-installed)		Software
Power supply	5V (External Power supply)	12V (External Power supply)		5V (External Power supply)		Power supply
Package Includes		CS Ring Adaptor, HDMI cable, Focusable Lens (1080 only), 30mm and 38mm Eyepiece Adapters, USB 2.0 Cable, Calibration Slide, Macro Tube, Motic Images Plus 3.0 for PC/OSX/Linux		MicroSD 16Gb, HDMI Cable, USB 2.0 Cable, Motic Images Plus 3.0, Motic 4-dot calibration slide, Charger 100V-240V (CE)		Package Includes
					For tablets from 7" to 10"	Tablet bracket holder
					Included	Tablet
				209 x 126 x 9.9 mm	263 x 173 x 9.5 mm	Size
				Android 5.1	Android 5.1	System
				1.3GHz Quad core	1.9GHz Quad core	CPU
				1GB DDR3 / 8GB	2GB DDR3 / 16GB	RAM / NAND FLASH
				8" (IPS) 16:10 Ratio / 1280 x 800 (IPS)	10.1" (IPS) 16:10 Ratio / 1280 x 800 (IPS)	Display / Display resolution
				MicroSD/MMC/TF Card (Support up 32 GB), DC 5V Power Input, HDMI output,..		Ports

Motic®

Canada | China | Germany | Spain | USA

www.moticamseries.com | www.moticeurope.com

EN | ES | FR | DE | IT | PT

Motic Instruments (Canada)

130 - 4611 Viking Way, Richmond, BC V6V 2K9 Canada
Tel: 1-877-977 4717 | Fax: 1-604-303 9043

Motic Deutschland (Germany)

Christian-Kremp-Strasse 11, D-35578 Wetzlar, Germany
Tel: 49-6441-210 010 Fax: 49-6441-210 0122

Motic Hong Kong (Hong Kong)

Unit 2002, L20, Tower Two, Enterprise Square Five, 38 Wang Chiu Road, Kowloon Bay, Kowloon
Tel: 852-2837 0888 | Fax: 852-2882 2792

Motic Europe (Spain)

C. Les Corts 12, Pol. Ind. Les Corts. 08349 Cabrera de Mar, Barcelona, Spain
Tel: 34 93 756 62 86 | Fax: 34 93 756 62 87

*CCIS® is a trademark of Motic Incorporation Ltd.

Motic Incorporation Limited Copyright © 2002-2018. All Rights Reserved.

Design Change: The manufacturer reserves the right to make changes in instrument design in accordance with scientific and mechanical progress, without notice and without obligation.

Designed in Barcelona (Spain)

Updated: December 2018

Official Distributor:

