

## Measuring Microscopes MF/MF-U Series





# MF Series

Standard Measuring Microscopes

\*Motor-Driven Z-axis



# MF-U Series

Universal Measuring Microscopes

\*Motor-Driven Z-axis

# Lineup

**Manual MF-A/B Models**

**Motor-Driven Z-axis MF-J Models**

**Motor-Driven X/Y/Z-axes MF-G Models**

**Manual MF-UA/UB/UC/UD Models**

**Motor-Driven Z-axis MF-UJ/UK Models**

**Motor-Driven X/Y/Z-axes  
MF-UE/UF/UG/UH Models**

# Attainment of Reduction in Measurement Time

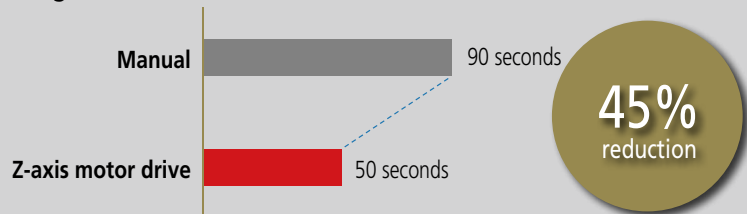
## Z-axis Motor Drive & Vision Unit

### Simple Focus Adjustment

#### Ultra-high Speed AF Function

The ultra-high speed AF function has been installed to allow focusing on a surface to be measured at a speed of about one second. Freedom from burdensome focus adjustment even on a workpiece with many asperities allows the operator to perform stress-free measurement, drastically reducing operator's fatigue.

Application example: Cumulative total time of 3mm step-height measurement 10 times



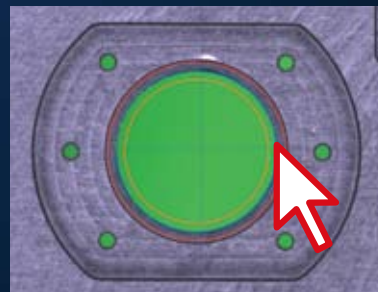
\* The amount of time saved is dependent on the particular workpiece and therefore this result is offered as an example but does not guarantee performance in all cases.

### Simplified Measurement

#### One-click Tool

The concurrent use of the vision unit as a vision measurement system allows simplified measurement of an edge by merely one click. Moreover, since many data points can be obtained at a time with just one click, this will drastically speed up measurement and reduce data spread compared with the conventional method of "measuring data points one by one with cross hairs".

\* Vision unit: Option



One-click circle tool



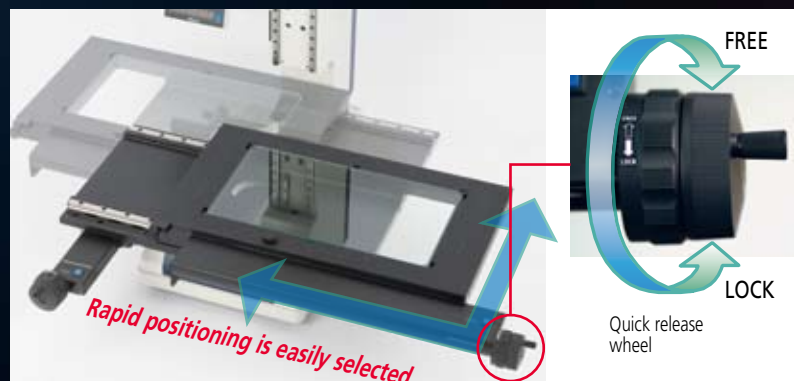
One-click box tool



### Easy Positioning

#### Quick Release Function

This series is equipped with a manual stage that provides intuitive positioning and has a quick release function that enables rapid movement between measuring points that are a large distance apart.



# Amazing Speed-up

**NEW**  
Products



Feature

# Excellent Observability and Operability

## Ultra-wide View Field and High Magnification Observation

### Field Number: 24

This measuring microscope series has achieved an industry-leading wide field of view of  $\varnothing 24\text{mm}$  (when using 1x objective).

### A Camera Port on All Models

All models are equipped with a C-mount port as standard to which a compatible camera is attachable. The port allows a vision measurement system or an observation-specific digital camera to be mounted.

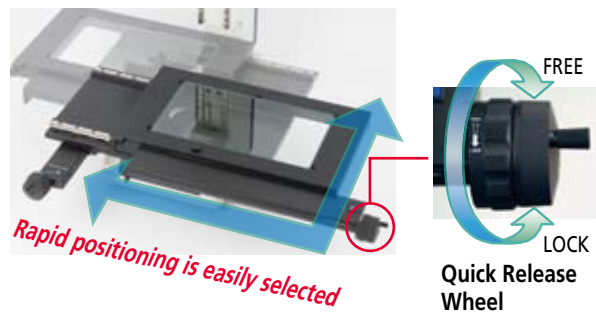
### Lineup of a Wide Range of Objectives

The objectives available provide a choice of ultra-low magnification, for excellent flare suppression, to high magnification that approaches the resolution limit possible with optical wavelengths, allowing the customer to select an optimal magnification depending on the intended use.

## Intuitive Operation

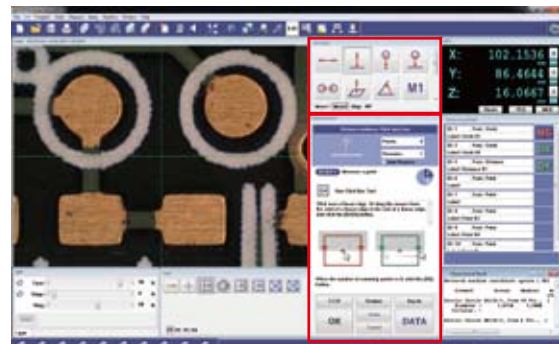
### Quick Release Mechanism

The manual stage provides intuitive positioning and can be easily moved rapidly between measuring positions on a workpiece by using the quick release function on each axis. Just free a Quick Release Wheel and move the stage by pushing and pulling. Lock the wheel to continue measurement with fine feed. Very effective for traversing between widely separated positions.



### Vision Unit

The vision unit allows anyone to perform simplified measurement of an edge with just one click. Also, using the vision unit eliminates the need for burdensome parallel alignment of a workpiece and data point detection with cross hairs, thus allowing quick inspection of dimensions.



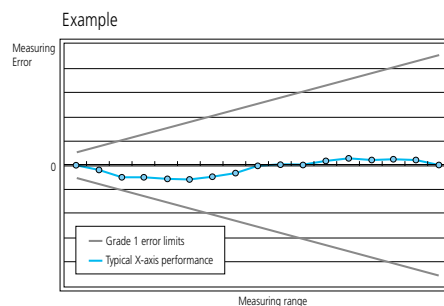


# High-accuracy Measurement and Reliability

Best-in-Class Accuracy As of April, 2016

## X/Y Axis: $(2.2+0.02L) \mu\text{m}$

All models have achieved best-in-class accuracy performance. Since the accuracy of the whole system is ensured by conformity to the inspection method of JIS B 7153, any model enables high-accuracy measurement. Any measuring microscope that achieves this accuracy performance (close to JIS Class 0) will be a great asset to the customer's quality control improvement program.



Reference) Measuring accuracy of each axis of a JIS B 7153 measuring microscope (at 20°C)  
Grade 0:  $(2+0.01L) \mu\text{m}$  or less  
Grade 1:  $(4+0.02L) \mu\text{m}$  or less  
L: measured length (mm)

## A Wide Choice of Stage Size

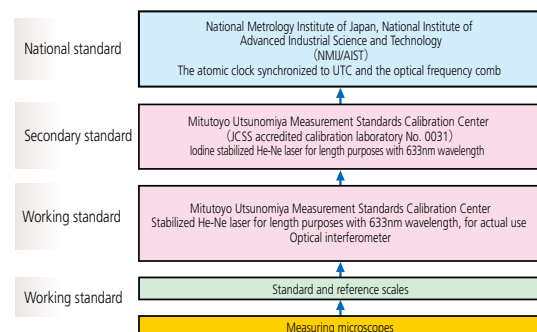
Precisely because measuring microscopes in this series are widely used in widely different industries, Mitutoyo offers a choice of stage size from 100x100mm to maximum-in-class 400x200mm. The customer can choose the optimal size for the application with accuracy performance guaranteed.



## Extraordinary Reliability ~ Traceability to National Standards ~

### Use of Master Gages Traceable to National Standards

Measurement results obtained from these microscopes are traceable to national standards to guarantee compliance with quality control systems. This is achieved through ensuring that all Mitutoyo master calibration gages and facilities are themselves traceable to national standards.



Feature

# MF Series – User-friendly Standard Model –

## Reduction in Magnification Error due to Variation in Point of Focus

### Telecentric Optical System

In order not to change the observing magnification even at low magnification (10x or less) where the objective's precise working distance is difficult to accurately reproduce because of a wide focal depth, this series has adopted the telecentric optical system that reduces the magnification error due to slight variation in working distance.

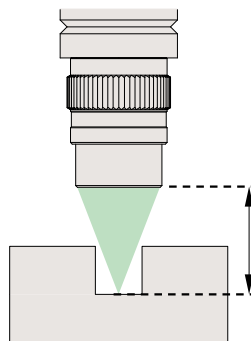
Also, the MF series objectives are manufactured with a more accurate magnification due to Mitutoyo's unique specification that surpasses JIS Standards. This optimizes comparative measurement with a reticle.



### Safe Operation

#### Ultra-long Working Distance

An ultra-long working distance is ensured in the entire lineup of a wide variety of objectives between 1x and 100x. This practically eliminates any risk of collision with a workpiece even when surface asperities are present.



Working distance	Objective
61.0mm	ML1x
77.0mm	ML3x
61.0mm	ML5x
51.0mm	ML10x
20.0mm	ML20x
13.0mm	ML50x
6.0mm	ML100x

### Easy Change of Magnification

#### Sliding Nosepiece

The MF series usually allows only a single objective to be mounted which needs to be replaced for every magnification change. The sliding nosepiece allows up to two objectives to be mounted.

In the case of measurement that needs frequent magnification change, this nosepiece design drastically improves workability. (Refer to page 20 for details)







### Manual (2- or 3-axis)



- Camera Port
- Counter
- Zero-setting
- Quick Release
- FS Objective
- Tilting
- XY Motor
- Z-axis Motor
- Vision AF
- Remote
- LAF
- Power Turret

### Z-axis Motor Drive



- Camera Port
- Counter
- Zero-setting
- Quick Release
- FS Objective
- Tilting
- XY Motor
- Z-axis Motor
- Vision AF
- Remote
- LAF
- Power Turret

### Motor Drive



- Camera Port
- Counter
- Zero-setting
- Quick Release
- FS Objective
- Tilting
- XY Motor
- Z-axis Motor
- Vision AF
- Remote
- LAF
- Power Turret

- Camera Port** Camera port for mounting a digital camera (standard equipment on all models)
- Counter** Low-profile digital display possible to install on the left or right side and adjust tilt angle to suit the operator
- Zero-setting** Handy zero-set switch that minimizes the operator's hand motion
- Quick Release** Quick-release mechanism that allows rapid stage positioning (Only for manual XY stage models)
- FS Objective** Possible to mount an objective that enables various observation methods. (Only for the MF-U series)
- Tilting** Tilting optical tube that can adjust the eyepoint to suit to the operator's physique (Standard-equipped in the MF-U series)
- XY Motor** Motor-driven stage retains high accuracy
- Z-axis Motor** Z-axis motor drive for fast Z-axis focusing
- Vision AF** Vision auto focus function that speeds up measurement by reducing the operator's focusing error
- Remote** Remote control box that enables handy operation
- LAF** Laser auto focus function enables excellent trackability
- Power Turret** Motor-powered turret enables faster operation when several objectives are required for measurement

Key	
	Standard-equipped function
	Not supported

Feature

MF-U Series – Universal Model Dealing with Diverse Observation Methods –

Clear Observation Image

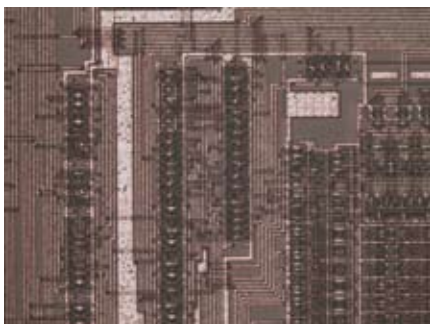
Apochromat Lenses

This series provides a clear observation image with excellent color quality, ultra-long working distance for high operability and apochromatic design that eliminates chromatic aberration.

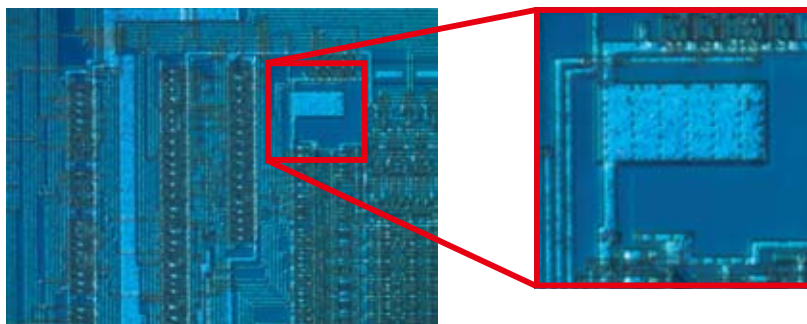
Detection of Microscopic Flaws and Asperities

Diverse Observation Methods

A choice of observation method such as dark-field observation, simple polarized observation and differential interference observation in addition to bright-field observation of magnified images are selectable depending on the intended use.



Ordinary observation (bright-field)



Differential interference : Allows observation of microscopic asperities hard to detect with ordinary bright-field observation.



Ordinary observation (bright-field)



Dark-field: Allows highlighted observation of microscopic abnormalities such as flaws and contamination by using diffused light.

Polarization Unit

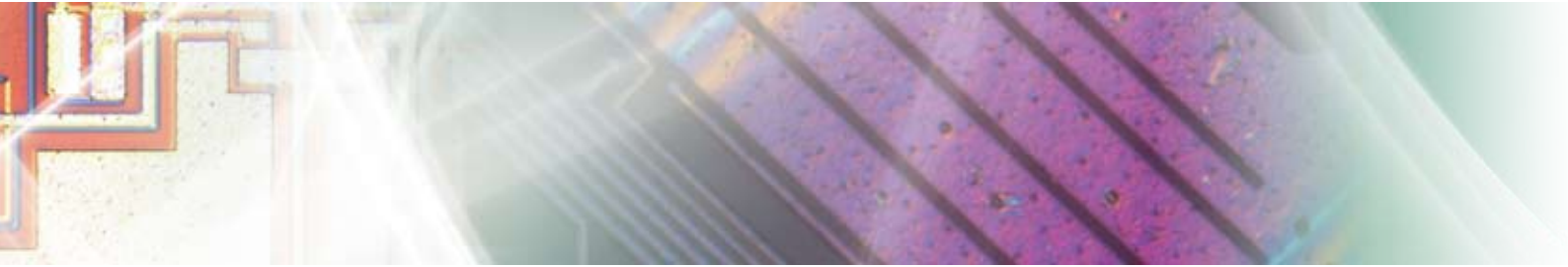
Used when performing simple polarized observation. It is also recommended to use this unit for increasing image contrast during use of a low-magnification lens.



Differential Interference Unit

Used when performing differential interference observation. This unit is used in combination with the polarization unit.





### Manual (2- or 3-axis)



- Camera Port
- Counter
- Zero-setting
- Quick Release
- FS Objective
- Tilting
- XY Motor
- Z-axis Motor
- Vision AF
- Remote
- LAF
- Power Turret

### Z-axis Motor Drive



- Camera Port
- Counter
- Zero-setting
- Quick Release
- FS Objective
- Tilting
- XY Motor
- Z-axis Motor
- Vision AF
- Remote
- LAF
- Power Turret

### Motor Drive



- Camera Port
- Counter
- Zero-setting
- Quick Release
- FS Objective
- Tilting
- XY Motor
- Z-axis Motor
- Vision AF
- Remote
- LAF
- Power Turret

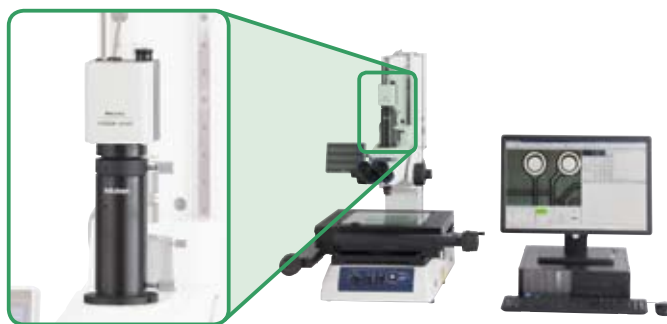
- Camera Port** Camera port for mounting a digital camera (standard equipment on all models)
- Counter** Low-profile digital display possible to install on the left or right side and adjust tilt angle to suit the operator
- Zero-setting** Handy zero-set switch that minimizes the operator's hand motion
- Quick Release** Quick-release mechanism that allows rapid stage positioning (Only for manual XY stage models)
- FS Objective** Possible to mount an objective that enables various observation methods. (Only for the MF-U series)
- Tilting** Tilting optical tube that can adjust the eyepoint to suit the operator's physique (Standard-equipped in the MF-U series)
- XY Motor** Motor-driven stage retains high accuracy
- Z-axis Motor** Z-axis motor drive for fast Z-axis focusing
- Vision AF** Vision auto focus function that speeds up measurement by reducing the operator's focusing error
- Remote** Remote control box that enables handy operation
- LAF** Laser auto focus function enables excellent trackability
- Power Turret** Motor-powered turret enables faster operation when several objectives are required for measurement

View of icons	
	Standard-equipped function
	Not supported
	Selectable as an option

# Optional Accessories

Camera/Images

## Vision Unit

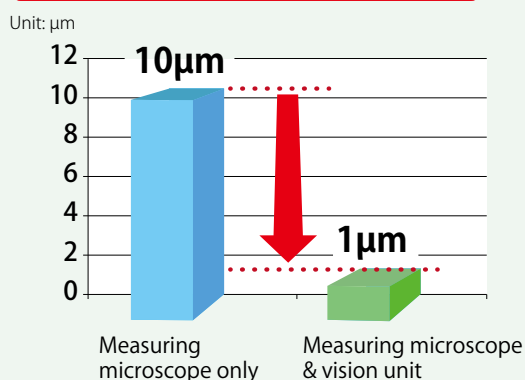


System example

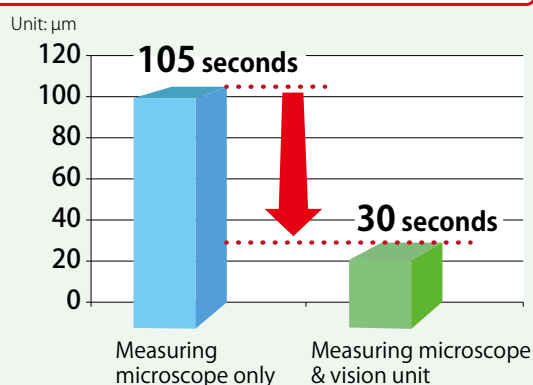
### Reduction of Variation / Improvement in Efficiency

The vision unit allows anyone to perform simplified measurement of an edge with just one click. Also, using the vision unit eliminates the need for burdensome workpiece orientating and data point detection with cross hairs, thus allowing quick inspection of dimensions.

About **90%** reduction in variation



About **70%** reduction in average measurement time



Measurement results and measurement times when measuring a width of about 20mm thrice (continuous reciprocation)  
Measurement with the measuring microscope only

	Operator A	Operator B	Operator C		
Max. value (mm)	20.0863	20.0849	20.0811	Max. value (mm)	20.0863
Min. value (mm)	20.0846	20.0842	20.0837	Min. value (mm)	20.0837
Variation (mm)	0.0098	0.0047	0.0053	Variation (mm)	<b>0.0105</b>
Measurement time (sec)	76	150	89	Measurement time (sec)	<b>105</b>



Measurement with the measuring microscope & vision unit

	Operator A	Operator B	Operator B		
Max. value (mm)	20.0847	20.0849	20.0811	Max. value (mm)	20.0849
Min. value (mm)	20.0846	20.0842	20.0837	Min. value (mm)	20.0837
Variation (mm)	0.0001	0.0007	-0.0026	Variation (mm)	<b>0.0012</b>
Measurement time (sec)	36	23	25	Measurement time (sec)	<b>28</b>

### Simplified Report/Storage Function

This series has the functions to perform tolerance verification of measurement/calculation results, various statistical processing for each item and image load/storage, enabling storage of measurement results and images at measured points. Since measurement results can also be outputted in the CSV format, this allows smooth creation of inspection table.

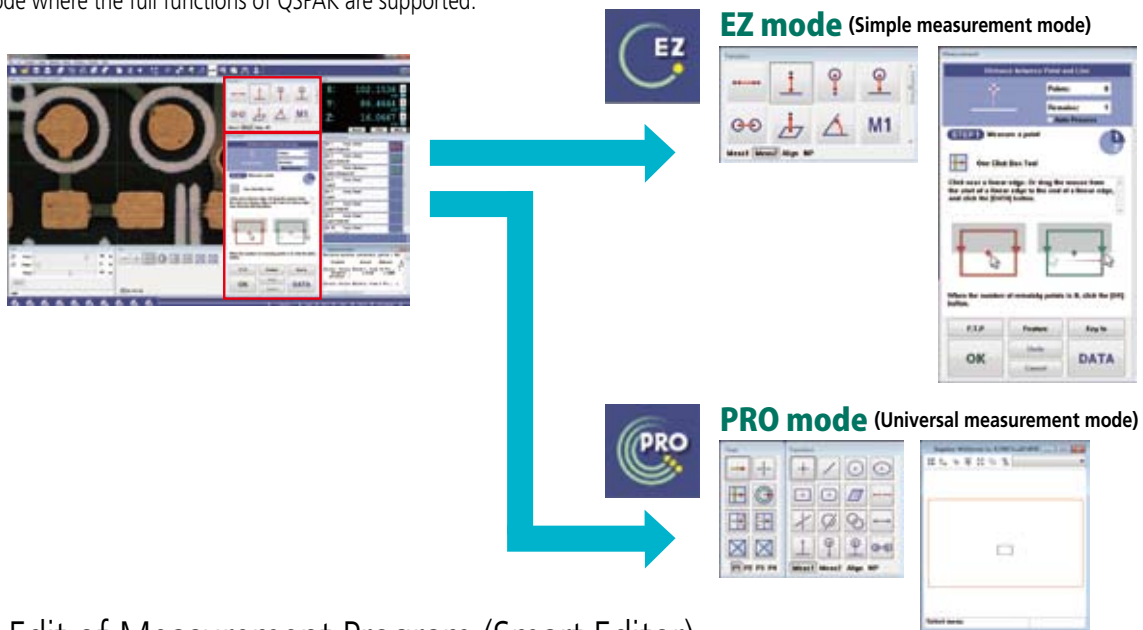
# Optional Accessories

Camera/Images

## Vision Unit Dedicated Software - QSPAK -

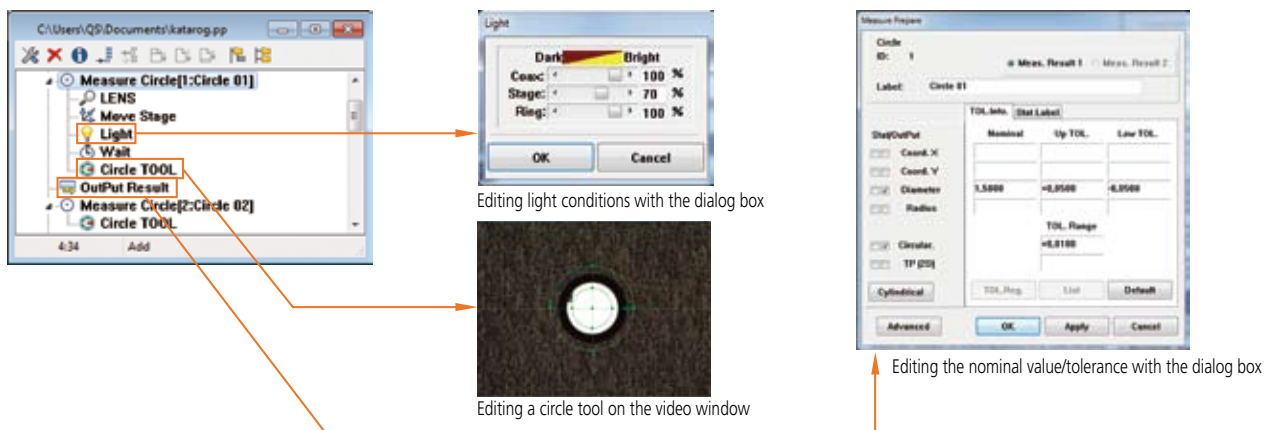
### Simple/Universal Mode Switching (EZ/PRO)

In the EZ mode for Simple & Operation guidance display, this software allows even a beginner to perform measurement without any confusion using the easy-to-understand measurement icons and guidance function. Also, it supports the needs of more advanced measurement by the ability to switch to the PRO mode where the full functions of QSPAK are supported.



### Simple Edit of Measurement Program (Smart Editor)

This function simply enables program correction/edit by only selecting an item you want to edit from among existing programs.



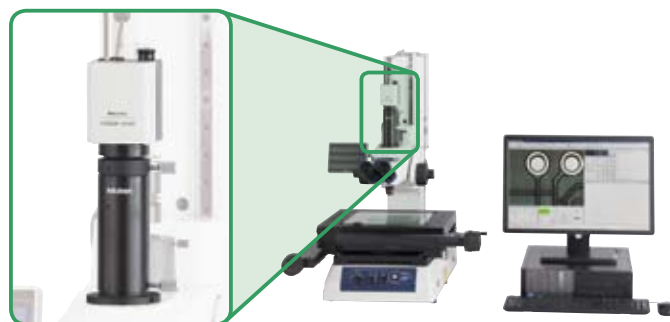
### Edge Detection Functions

- Outlier Removal Function**.....Removes outliers such as burrs and chips.
- Dual-area Contrast Tool**.....Automatically adjusts the light intensity of two areas to the optimum.
- Auto Trace Tool**.....Automatically detects contour data while predicting the next one.  
To perform contour analysis and contour tolerancing, use 2-dimensional analysis software (FORMTRACEPAK-AP).

# Optional Accessories

Camera/Images

Vision Unit  
Dedicated Software - QSPAK -



System example

## Simplified Multi-point Measurement (One-click Tool)

A mere click on an edge allows correct measurement, avoiding the variation inherent in conventional multi-point measurement. The function to remove outliers such as burrs and chips can be used concurrently.



One-click circle tool



One-click box tool

## Graphics Function

This function automatically displays the current position, coordinate system, measurement feature and measurement result on the graphics window to prevent an omission or error of measurement from occurring. It also enables you to grasp which portion of the whole workpiece is observed by importing 2-dimensional CAD data\*.

\* Optional software (For details refer to Page 15.)

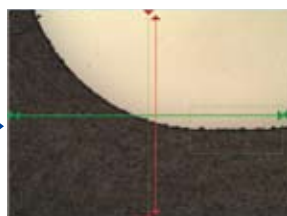


## Navigation Function (Quick Navigation)

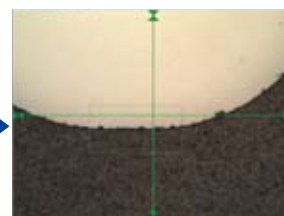
Once a measurement program is created, anyone can measure a workpiece just as well as skilled personnel by merely following the navigation instructions at the next measuring point.



(1) The next measuring point is indicated with red cross hairs.



(2) Approaching the measuring point, the red cross hairs and green cross hairs come close to each other.



(3) When both cross hairs overlap one another while indicating the target point, press the Input button to complete the measurement.

# Optional Accessories

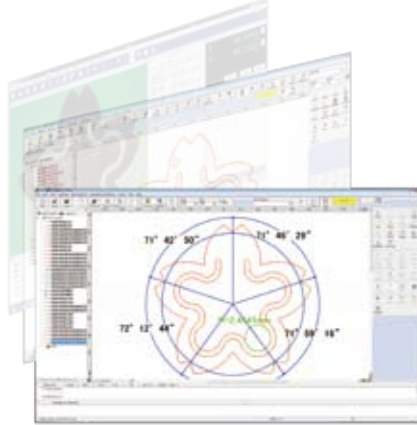
Camera/Images

## Optional Software

### 2-dimensional Analysis Software - **FORMTRACEPAK-AP** -

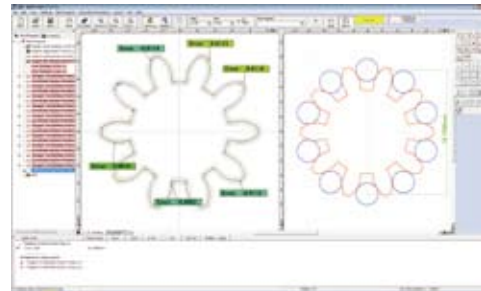
FORMTRACEPAK-AP allows contour analysis and comparative verification with the nominal value, making use of the point group data acquired with the auto trace tool.

Form analysis can be performed seamlessly from measured images with simple operations.



Example of form analysis

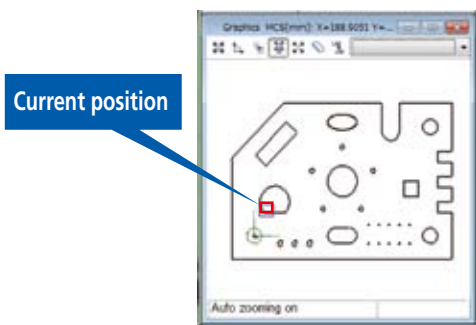
Contour tolerancing against the nominal value is also enabled. For example, the software allows over-pin diameter measurement by defining virtual circles with a given diameter around a gear.



Example of gear contour matching, and an over-pin diameter analysis

### Effective use of CAD model - **QS-CAD I/F** -

2-D CAD model data (DXF-, or IGES-formatted) can be imported into QIPAK. Conversely, QIPAK measurement results can be converted into 2-D CAD model data. The design value for each measurement item is automatically entered. Since the graphics window makes the present location easy to identify, the operator can quickly move the stage a given point in the 2D CAD model.

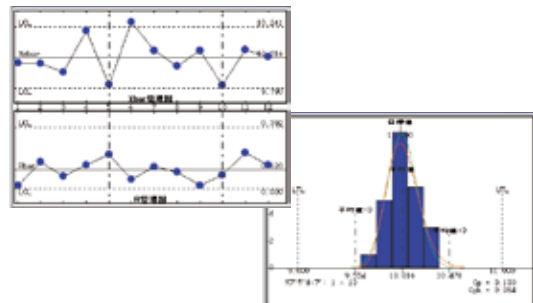


### Early detection of process irregularities - **MeasurLink** -

Statistical data can be displayed in real-time, making early detection of process irregularities possible. Early identification of an out-of-control situation enables rapid remedial action to be taken when necessary.

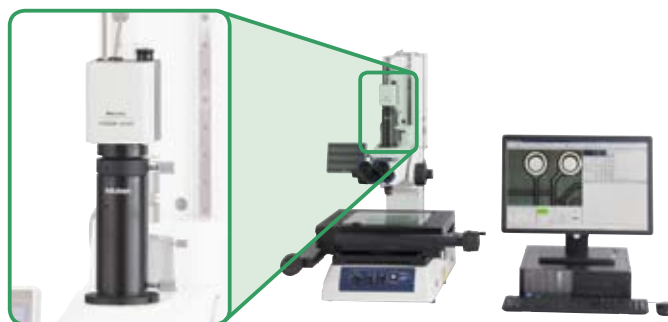
#### Examples of remedial action

- Mold repair or cycle-timing change
- Cutting tool adjustment or replacement.



# Optional Accessories

## Camera/Images



System example

## Specifications

Vision Unit 10D	
Order No.	<b>359-763</b>
Magnification of optical system	0.5X: when a microscope is attached (0.5X: when using a TV adapter)
Image detection	High sensitivity 1/2-inch CMOS color camera with 300 million pixels
Resolution	0.1 $\mu$ m
Measuring accuracy for each axis (in a 20°C environment)	Depends on measuring microscope
Accuracy (in a 20°C environment)	Depends on measuring microscope Reference: when using a 3X ML objective (performing an inspection using our standard sample) Screen-internal measuring accuracy: $\pm 2.5\mu$ m or less Screen-internal repeatability ( $2\sigma$ ): $\pm 1\mu$ m or less
PC system*	Windows 7
Software*	QSPAK Vision Unit
Applicable model	<b>MF D / MF-U D</b>

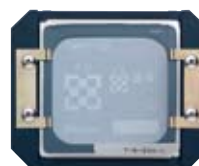
\* Software (QSPAK) and calculation processor are required separately.

## Calibration Chart

### Calibration Chart

This chart is used for pixel-size correction of the CCD, and auto-focus accuracy and optical-axis offset corrections for each selected magnification.

\* The function may be limited depending on the lens.  
For detailed information, contact a Mitutoyo sales office.



Order No. 02ATN695

## Others

### C-mount Adapter

This adapter is used to mount a C-mount compatible digital camera on the microscope main unit.



Order No. 970441

### 0.5x TV Adapter (including C-mount Adapter)

This adapter is used to mount a C-mount compatible digital CCD camera on the microscope main unit, thereby making an observation area on the monitor close to the real field of view through the objective.



Order No. 375-054



# Optional Accessories

Camera/Images

Calculation processing

## Data Processing Applications

### 2-dimesinal Data Processing Unit QM-Data200



Order No.: **264-155**  
 Application: QM-Data200 allows various data processing operations and creation of measurement programs without needing any other data processing unit.  
 Resolution: 0.1µm  
 Program function: Creation, execution and editing of measurement procedures  
 Statistical processing: Measurement items, number of data, maximum value, minimum value, mean value, standard deviation, range, histogram and statistics by measurement function (statistics by command)  
 Display: TFTLCD (with LED backlight)  
 Tilting mechanism: Installed

### Foot Switch



Order No.: **12AAJ088**  
 Application: Foot switch for data transfer  
 A measurement result can be transferred to the data processing unit by stepping on the switch while holding the feed wheels.

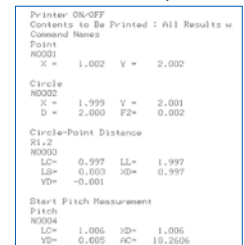
### Thermal printer DPU-414 Manufactured by SII



## Specifications

Thermal Printer DPU-414		
Order No.	Connected to QM-Data 200	Please contact with your local Mitutoyo sales office.
	Counter display printing	Please contact with your local Mitutoyo sales office. Note: Combined use with footswitch No. <b>12AAJ088</b>
Printing method	Dot-matrix thermosensitive	
Number of printing digits	40 digits (9 normal characters (7 dot matrix))	
Printing speed	Maximum 52.5 normal characters/s	
External dimensions	160mm(W)×170mm(D)×65.5mm(H) (printer)	
Standard accessories	Printer cable, printing paper (1 roll), AC adapter (for 100V)	
Spare goods	Printing paper (5 rolls)	<b>No. 908353</b> (5 rolls)

### Printout example



# Optional Accessories

## Eyepieces/Optical Tubes

### Eyepieces

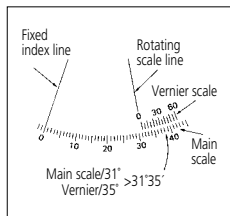


#### Eyepieces

	WF10x/24	WF15x/16	WF20x/12
Order No. (1 piece)	378-866-5	378-857-5	378-858-5
Order No. (2 pieces)	378-866	378-857	378-858
Magnification	10x	15x	20x
Field number	24	16	12
Applicable model	MF / MF-U		

#### Eyepieces

Order No.375-043



The angle reading scale is built in, allowing angle measurement by simply rotating a scale line between the features to be measured.

#### Digital Protractor Eyepiece

Order No.176-313



An angle can be measured by merely rotating the cross hairs. (Digital display.)

### Optical Tubes

#### Optional accessories required for MF



#### Monocular Tube

Order No.	176-392
Magnification	10x
Field number	24
Applicable model	Required for MF

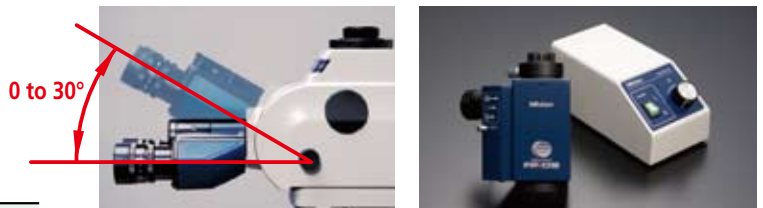


#### Binocular Tube

Order No.	176-393
Magnification	10x
Field number	24
Applicable model	Required for MF

#### Standard-equipped Tilting Optical Tube (MF-U Dedicated Standard Option)

Tilting optical tube that can adjust the eyepoint to suit the operator's physique allows comfortable measurement.



#### Focus Detector Unit Focus Pilot

Model No.	FP-05	FP-05U	
Order No.	375-057 (Green)	375-058 (Red)	375-067 (Green) 375-068 (Red)
Light source	Green LED or Red LED		
	<ul style="list-style-type: none"> <li>Concentric circle pattern</li> </ul>	<ul style="list-style-type: none"> <li>Slit pattern</li> </ul>	
	<ul style="list-style-type: none"> <li>The focal point is the position where the top and bottom of the pattern are aligned.</li> <li>Pattern selection and brightness adjustment are enabled according to the surface status of a workpiece.</li> <li>Observation with a wide field of view on a video monitor is available using 0.5x optical system (with a CCD camera mounted separately).</li> </ul>		
Focusing reproducibility	Approximately 1.5µm (when using a 20x lens)		
Applicable model	MF		MF-U



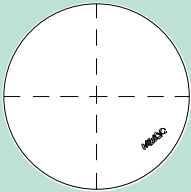
# Optional Accessories

## Eyepieces/Optical Tubes



## Reticles

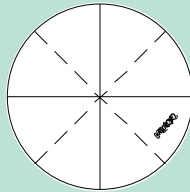
### Chain line type



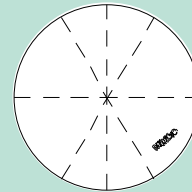
**No.12AAG838 (MF D)**  
**No.12AAG878 (MF-U D)**  
 90° chain lines  
 Chain line pitch: 0.2 to 0.2  
 Line width: 7µm

**No.12AAG836 (MF D)**  
**No.12AAG877 (MF-U D)**  
 90° chain line  
 Chain line pitch: 0.2 to 0.2  
 Line width: 5µm

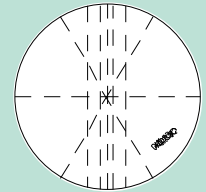
**No.12AAG873 (MF D)**  
**No.12AAG876 (MF-U D)**  
 90° chain lines  
 Chain line pitch: 0.2 to 0.2  
 Line width: 3µm



**No.12AAG839 (MF C / MF D)**  
**No.12AAG879 (MF-U D)**  
 90° solid lines, 45° chain lines  
 Chain line pitch: 0.2 to 0.2  
 Line width: 5µm

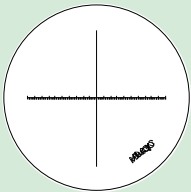


**No.12AAG840 (MF C / MF D)**  
**No.12AAG880 (MF-U D)**  
 90° chain lines, 60° chain lines  
 Chain line pitch: 0.2 to 0.2  
 Line width: 5µm

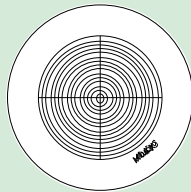


**No.12AAG841 (MF C / MF D)**  
**No.12AAG881 (MF-U D)**  
 Zeiss type pattern  
 Chain line pitch: 0.2 to 0.2  
 Line width: 5µm

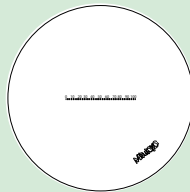
### Graduation line type (Use these reticles with an eyepiece that has 10X magnification.)



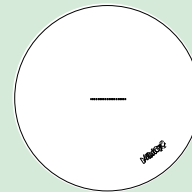
**No.12AAG842 (MF D)\*1**  
 Cross haired graduation lines  
 0.1/20mm  
 Line width: 7µm



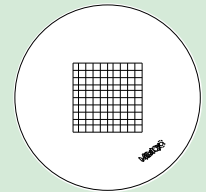
**No.12AAG843 (MF D)\*1**  
 Concentric circles with graduation lines  
 ø1.2 to ø18  
 Line width: 7µm



**No.12AAG844 (MF D)\*1**  
 Graduation lines  
 0.1/10mm  
 Line width: 10µm



**No.12AAG845 (MF D)\*1**  
 Graduation lines  
 0.05/5mm  
 Line width: 10µm



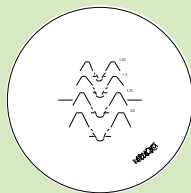
**No.12AAG846 (MF D)\*1**  
 Grid lines  
 □ 1mm □ 10mm  
 Line width: 10µm

### Comparison measuring type

(This is the comparison chart specific to a 3X ML objective. Use this with an eyepiece that has 10X magnification.)



**No.12AAG847 (MF D)\*2**  
 Metric coarse screw thread  
 p = 0.25 to 1.0  
 Line width: 7µm



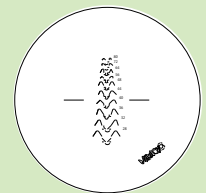
**No.12AAG848 (MF D)\*2**  
 Metric coarse screw thread  
 p = 1.25 to 2.0  
 Line width: 7µm



**No.12AAG849 (MF D)\*2**  
 Involute gear reference rack  
 m = 0.1 to 1.0, pressure angle: 14.5°  
 Line width: 7µm



**No.12AAG850 (MF D)\*2**  
 Involute gear reference rack  
 m = 0.1 to 1.0, pressure angle: 20°  
 Line width: 7µm



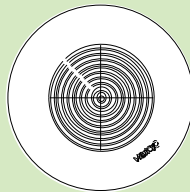
**No.12AAG851 (MF D)\*2**  
 Unified coarse screw thread  
 80 to 28  
 Line width: 7µm



**No.12AAG852 (MF D)\*2**  
 Unified coarse screw thread  
 24 to 14  
 Line width: 7µm

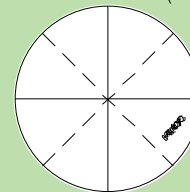


**No.12AAG853 (MF D)\*2**  
 Unified coarse screw thread  
 13 to 10  
 Line width: 7µm



**No.12AAG854 (MF D)\*2**  
 Concentric circles with cross hairs  
 0.01° to 0.20°  
 Line width: 7µm

### Reticle for digital protractor eyepiece (included as standard)



90° solid lines, 45° chain lines  
 Chain line pitch: 0.2 to 0.2  
 Line width: 7µm

Each reticle includes an insertion unit. Since the insertion unit is specific to the model, select applicable reticles for your microscope.

# Optional Accessories

## Objectives

### Objectives for MF Series



#### ML Objectives

Model No.	Order No.	Magnification	Numerical Aperture (NA)	View field with eyepiece (mm)	View field with CCD camera (mm)*	Resolving Power (μm)	Working distance (mm)	Depth of Focus ±D.F. (μm)
<b>ML 1x</b>	<b>375-036-2</b>	1x	0.03	ø24	6.40x4.80	9.2	61.0	306
<b>ML 3x</b>	<b>375-037-1</b>	3x	0.09	ø8	2.10x1.60	3.06	77.0	34
<b>ML 5x</b>	<b>375-034-1</b>	5x	0.13	ø4.8	1.28x0.96	2.12	61.0	16.3
<b>ML 10x</b>	<b>375-039</b>	10x	0.21	ø2.4	0.64x0.48	1.31	51.0	6.2
<b>ML 20x</b>	<b>375-051</b>	20x	0.42	ø1.2	0.32x0.24	0.65	20.0	1.6
<b>ML 50x</b>	<b>375-052</b>	50x	0.55	ø0.48	0.13x0.10	0.5	13.0	0.9
<b>ML 100x</b>	<b>375-053</b>	100x	0.70	ø0.24	0.06x0.05	0.4	6.0	0.6

\* View field with CCD camera is a view field when using Mitutoyo Vision Unit (P12-P16).

#### ML Objectives

Compatible observation method: Bright-field observation

Advantage: A measurement error is reduced with the correct magnification.

The telecentric optical system is adopted for a magnification of 10x or less to reduce measurement error due to an out-of-focus condition.

#### Sliding Nosepiece (Factory-set Option)

Two ML objectives can be mounted, allowing stress-free change of magnification.

- Parfocal Type (Order No. 176-370-1)

Identical focal lengths of mounted objectives eliminates the need for refocusing after every objective change.

- Magnification Type (Order No. 176-370-2)

The magnifications of both mounted objectives are guaranteed.

This is the recommended nosepiece to use when a reticle is mounted in the optical tube.



## Objectives for the MF-U Series



### M Plan Apo Objectives

Compatible observation method: Bright-field observation, simple polarized observation, differential interference observation

Advantage: Plan apochromat lenses free of spherical aberration/chromatic aberration are adopted to obtain images with excellent color reproducibility without blur over the entire field of view.

### G Plan Apo Objectives

Compatible observation method: Observation through a cover glass

Advantage: Correction design is performed so as to obtain optimal observation images when observing through the glass.  
(Corrected on the basis of BK7 and a cover glass thickness of 3.5mm. Custom order of other glass material and thickness is also available.)



### BD Plan Apo Objectives

Compatible observation method: Bright-field observation, dark-field observation, simple polarized observation, differential interference observation

Advantage: Dark-field observation is also supported while maintaining the performance of the M Plan Apo objective series.

### FS objectives

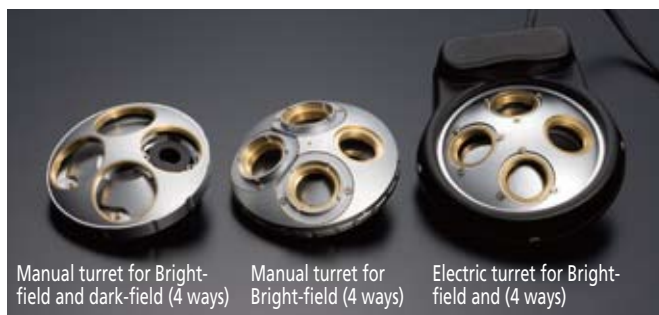
Model No.	Order No.	Magnification	Numerical Aperture (NA)	View field with eyepiece (mm)	View field with CCD camera (mm)	Resolving Power (μm)	Working distance (mm)	Depth of Focus ±D.F. (μm)
<b>M Plan A po 1x</b>	<b>378-800-3</b>	1x	0.025	ø24	6.40x4.80	11	11.0	200
<b>M Plan A po 2x</b>	<b>378-801-6</b>	2x	0.055	ø12	3.20x2.40	5	34.0	100
<b>M Plan A po 5x</b>	<b>378-802-6</b>	5x	0.14	ø4.8	1.28x0.96	2	34.0	40
<b>M Plan A po 7.5x</b>	<b>378-807-3</b>	7.5x	0.21	ø3.2	0.85x0.64	1.3	35.0	26.67
<b>M Plan A po 10x</b>	<b>378-803-3</b>	10x	0.28	ø2.4	0.64x0.48	1	34.0	20
<b>M Plan A po 20x</b>	<b>378-804-3</b>	20x	0.42	ø1.2	0.32x0.24	0.7	20.0	10
<b>M Plan A po 50x</b>	<b>378-805-3</b>	50x	0.55	ø0.48	0.13x0.10	0.5	13.0	4
<b>M Plan A po 100x</b>	<b>378-806-3</b>	100x	0.70	ø0.24	0.06x0.05	0.4	6.0	2
<b>M Plan A po SL 20x</b>	<b>378-810-3</b>	20x	0.28	ø1.2	0.32x0.24	1	30.5	10
<b>M Plan A po SL 50x</b>	<b>378-811-3</b>	50x	0.42	ø0.48	0.13x0.10	0.7	20.5	4
<b>M Plan A po SL 80x</b>	<b>378-812-3</b>	80x	0.55	ø0.3	0.08x0.06	0.6	15.0	2.5
<b>M Plan A po SL 100x</b>	<b>378-813-3</b>	100x	0.70	ø0.24	0.06x0.05	0.5	13.0	2
<b>M Plan A po SL 200x</b>	<b>378-816-3</b>	200x	0.62	ø0.12	0.03x0.02	0.4	13.0	1
<b>M Plan A po HR 50x</b>	<b>378-814-4</b>	50x	0.75	ø0.48	0.13x0.10	0.4	5.2	4
<b>M Plan A po HR 100x</b>	<b>378-815-4</b>	100x	0.90	ø0.24	0.06x0.05	0.3	1.3	2
<b>G Plan A po 20x (t3.5)</b>	<b>378-847</b>	20x	0.28	ø1.2	0.32x0.24	1	Air conversion 29.42	10
<b>G Plan A po 50x (t3.5)</b>	<b>378-848-3</b>	50x	0.50	ø0.48	0.13x0.10	0.6	Air conversion 13.89	4

Model No.	Order No.	Magnification	Numerical Aperture (NA)	View field with eyepiece (mm)	View field with CCD camera (mm)*	Resolving Power (μm)	Working distance (mm)	Depth of Focus ±D.F. (μm)
<b>BD Plan Apo 2x</b>	<b>378-831-7</b>	2x	0.055	ø12	3.20x2.40	5	34.0	100
<b>BD Plan Apo 5x</b>	<b>378-832-7</b>	5x	0.14	ø4.8	0.96x1.28	2	34.0	40
<b>BD Plan Apo 7.5x</b>	<b>378-830-7</b>	7.5x	0.21	ø3.2	0.85x0.64	1.3	34.0	26.7
<b>BD Plan Apo 10x</b>	<b>378-833-7</b>	10x	0.28	ø2.4	0.64x0.48	1	34.0	20
<b>BD Plan Apo 20x</b>	<b>378-834-7</b>	20x	0.42	ø1.2	0.32x0.24	0.7	20.0	10
<b>BD Plan Apo 50x</b>	<b>378-835-7</b>	50x	0.55	ø0.48	0.13x0.10	0.5	13.0	4
<b>BD Plan Apo 100x</b>	<b>378-836-7</b>	100x	0.70	ø0.24	0.06x0.05	0.4	6.0	2
<b>BD Plan Apo SL 20x</b>	<b>378-840-7</b>	20x	0.28	ø1.2	0.32x0.24	1	30.5	10
<b>BD Plan Apo SL 50x</b>	<b>378-841-7</b>	50x	0.42	ø0.48	0.13x0.10	0.7	20.0	4
<b>BD Plan Apo SL 80x</b>	<b>378-842-7</b>	80x	0.50	ø0.3	0.08x0.06	0.6	13.0	2.5
<b>BD Plan Apo SL 100x</b>	<b>378-843-7</b>	100x	0.55	ø0.48	0.13x0.10	0.4	13.0	2
<b>BD Plan Apo HR 50x</b>	<b>378-845-7</b>	50x	0.75	ø0.24	0.06x0.05	0.3	5.2	4
<b>BD Plan Apo HR 100x</b>	<b>378-846-7</b>	100x	0.90				1.3	2

\* SL: Super long working distance model HR: High Resolution model

\* View field with CCD camera is a view field when using Mitutoyo Vision Unit (P12-P16).

### Turret



Supported observation		Bright field (M Plan Apo/G Plan Apo)		Bright and dark field (BD Plan Apo)	
Order No.	For normal model	<b>378-018</b>	<b>378-016</b>	<b>378-216</b>	<b>176-211</b>
	For LAF model	<b>176-410</b>			<b>176-412</b>
Driving method		Manual	Electric		Manual
Number of ways		4	4	5	4

\* When using the turret without parfocal mechanism and objectives, it is recommended to concurrently use "Parfocal Adjustment SIMM Set" (for bright-field observation: Order No. 378-089, for dark-field observation: Order No. 378-090).

# Optional Accessories

## Rotary tables

### Rotary table with Fine Wheel (A)



Order No.: **176-305**

Application: Workpiece orientating/positional fine-adjustment  
 External dimension: 280 (W)×280 (D)×23.7 (H)mm  
 Tabletop: ø240mm, 360° rotation, no angle scale

Mass: 5.5kg

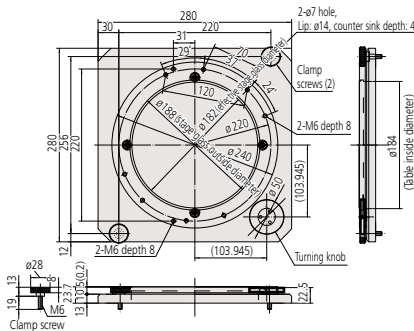
Effective glass diameter (mm): ø182

Applicable model: Size 1010, 2010 (**MF/MF-U series**)

\*Option: 172-197 Swivel Center Support

176-107 Holder with Clamp

172-378 V-block with Clamp



### Rotary table with Fine Wheel (B)



Order No.: **176-306**

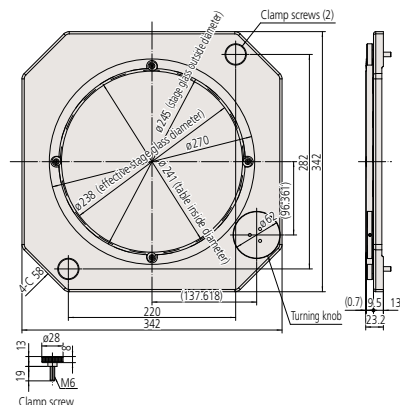
Application: Workpiece orientating/positional fine-adjustment  
 External dimension: 342 (W)×342 (D)×23.2 (H)mm  
 Tabletop: ø270mm, 360° rotation, no angle scale

Mass: 6.5kg

Effective glass diameter (mm): ø238

Applicable model: Size 2017, 3017, 4020 (**MF/MF-U series**)

\*The V-block with Clamp, Swivel Center Support and Holder with Clamp can NOT be mounted on the table.



### Stage Adapter

Order No.: Stage Adapter: **176-304**

Stage Adapter B: 176-310

Application: Used when setting the workpiece fixture on the stage.

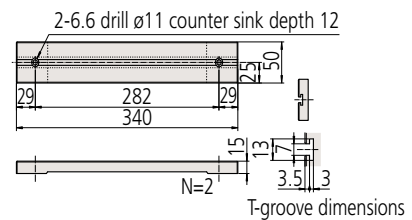
External dimensions for one piece:

50 (W)×340 (D)×15 (H)mm

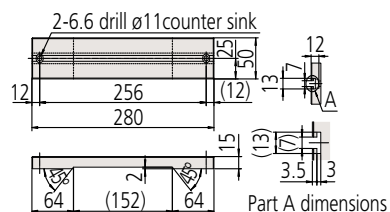
\*Note) Adapter B is 280 (D)

Mass: Stage Adapter: 1.5kg

Stage Adapter B: 1.2kg



176-304 Stage Adapter



176-310 Stage Adapter

		Stage size		
		1010	2010	2017 3017 4020
<b>176-304</b>	Stage Adapter	—	Not applicable	Applicable
<b>176-310</b>	Stage Adapter B	—	Applicable	Not applicable

Note: Not required for model 1010.

# Optional Accessories

Others

## Holder with Clamp



Order No.: **176-107**

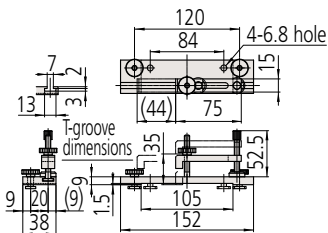
Application: Used to clamp a thin workpiece such as a PCB or pressed part.

Maximum clamp length: 35mm

External dimensions: 62 (H)×152 (W)×38 (D)mm

Mass: 0.4kg

\*Note: Size 2010 is used with stage adapter B. Sizes 2017, 3017, and 4020 are usable with stage adapter



## V-block with Clamp



Order No.: **172-378**

Maximum clamping diameter:  $\phi 25$ mm

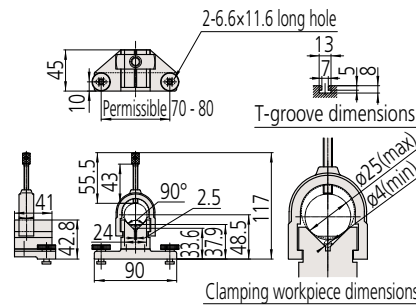
Height from the mounting surface to the center: 38-48mm

Application: Used to mount a cylindrical-form workpiece.

External dimensions: 117 (H)×90 (W)×45 (D)mm

Mass: 0.8kg

\*Note: Size 2010 is used with stage adapter B. Sizes 2017, 3017, and 4020 are usable with stage adapter



## Swivel Center Support



Order No.: **172-197**

$\pm 10^\circ$  for swivel position

Maximum angle index:  $1^\circ$

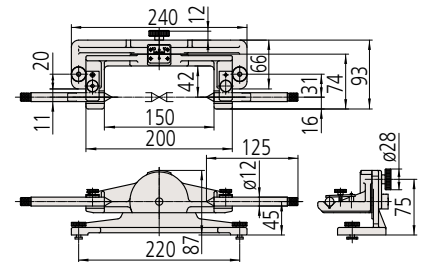
Application: Used to mount a center-machined workpiece for measurement of screw pitch diameter, depth, etc.

Maximum horizontal clamping size:  $\phi 80 \times 140$ mm

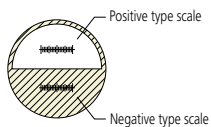
Maximum clamping size when inclined  $10^\circ$ :  $\phi 65 \times 140$ mm

Mass: 2.5kg

\*Note: Size 2010 is used with stage adapter B. Sizes 2017, 3017, and 4020 are usable with stage adapter



## Stage Micrometer



Order No.: **375-056**

Scale length: 1mm

Minimum graduation: 0.01mm

Scale accuracy:  $1 + L(\mu\text{m})$  L: length between any two lines (mm)

External dimensions: 76(W)×26(D)

Mass: 16g

\*Note: After purchasing the product, we perform calibration. For details, contact your nearest Mitutoyo Sales Office.

## Mounting Stand (for Microscope)



Order No.: **176-309**

Application: Microscope main unit mounting stand

Maximum loading: 300kg

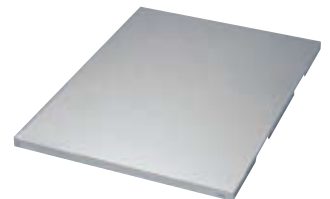
External dimensions: 1200 (W)×900 (D)×650 (H)

Mass: Approximately 50kg

Applicable model: **MF/MF-U**

\*Note: When specifying a microscope with the Vision Unit, we recommend selecting the large mounting stand **No. 02ATE760**, which has external dimensions of 1,800 (W)×900 (D)×740 (H).

## Vibration Damping Stand



Order No.: **176-308**

Application: Microscope vibration isolation table

Supporting method: Spring pad

Maximum loading: 200kg

External dimensions: 750 (W)×550 (D)×36 (H)

Mass: 36kg

Applicable model: **MF/MF-U**

# Optional Accessories

## Internal light source

### LED Illumination Unit

The LED illumination unit has a longer operating life than a halogen bulb. This reduces running costs and saves the trouble of replacing the bulb. Also, a quick response to light control allows stress-free search for the illumination condition best suited to a workpiece.

For MF series: Transmitted/Reflected illumination Set **Order No. 176-445**

For MF-U series: Transmitted/Reflected illumination Set **Order No. 176-446**



Order No.176-445

### Halogen Illumination Unit

Select this illumination unit when measuring a low-reflectivity workpiece rather than the standard LED illumination unit.

For MF series: Transmitted/Reflected illumination Set **Order No.176-447**

For MF-U series: Transmitted **Order No.176-448**

Reflected 100W (Standard) **Order No.176-315**

150W (High brightness) **Order No.176-316**



Order No.176-447



Order No.176-316

### Illumination filter

Select the optimal filter depending on the intended use.

GIF filter: Emphasizes contrast in the image.

LB filter: Converts the warm-colored halogen light to a more natural color.

ND filter: Reduces illumination intensity without changing the observation condition (color temperature) in spite of the fact that halogen light becomes redder when darkened by decreasing the voltage.

ND2: Light intensity 1/2 (transmission factor 50%) ND8: Light intensity 1/8 (transmission factor 12.5%)

Light source	Applicable model	Order No.	Illumination method	GIF	LB80	ND2	ND8
LED illumination	MF	<b>176-445</b>	Transmitted/ reflected	12AAA645	—	—	—
	MF-U	<b>176-446</b>					
Halogen illumination	MF	<b>176-447</b>	Transmitted/ reflected	12AAA645	12AAA646	12AAA643	12AAA644
	MF-U	<b>176-448</b>	Transmitted	12AAG806	12AAG807	—	—
		<b>176-315</b>	Reflected (100W)	—	—	—	—
		<b>176-316</b>	Reflected (150W)	—	—	—	—





# Optional Accessories

## External light source

### LED Ring Light

For MF series : **Order No.176-367-2** (Standard)  
 : **Order No.176-371** (Specific to Sliding Nosepiece)  
 For MF-U series : Please contact with your local Mitutoyo Sales Office.

This illumination unit provides a high image contrast for observation of deep-color resins, PCBs and small-diameter cylinders, thus providing optimal performance for vision measurement. Even if the brightness of illumination is changed, no color will change.

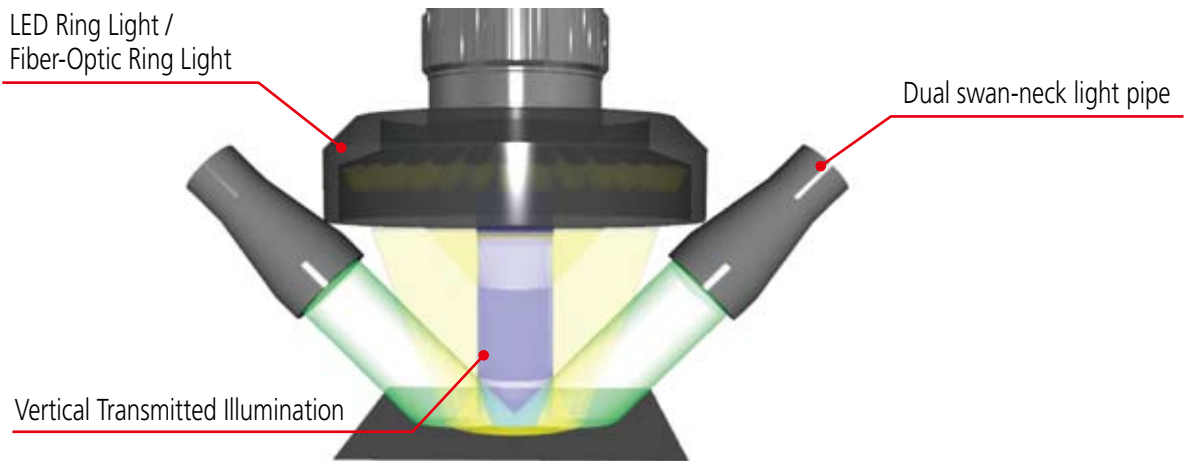
\* The ring light illumination is compatible with ML objectives of 10x or less. If an objective with a magnification of more than 10x is used, there is a risk of difficulties in observation due to insufficient light intensity.



Mounted on MF series



Mounted on MF-U series



### Fiber-Optic Ring Light

For MF series: **Order No. 176-366** (Standard)

The Fiber-Optic Ring Light is the best unit to use when a bright, shadowless image is required. This illumination is best suited to observation at high magnifications and vision measurement.

\* The ring light illumination is compatible with ML objectives of 10x or less. If an objective with a magnification of more than 10x is used, there is a risk of difficulties in observation due to insufficient light intensity.



### Dual swan-neck light pipe

For MF and MF-U series: **No. 176-343**

This illumination unit highlights the features of a workpiece surface by applying oblique light to it, forming shadows which aid viewing. High-brightness spot lighting is also available by the concurrent use of the standard-supplied condenser lens.



# Specifications

## MF Series

Main unit		Manual				
		1010	2010	2017	3017	4020
Without Z-axis scale		<b>MF-A1010D</b>	<b>MF-A2010D</b>	<b>MF-A2017D</b>	<b>MF-A3017D</b>	<b>MF-A4020D</b>
		<b>176-861*<sup>1</sup></b>	<b>176-862*<sup>1</sup></b>	<b>176-863*<sup>1</sup></b>	<b>176-864*<sup>1</sup></b>	<b>176-865*<sup>1</sup></b>
With Z-axis scale		<b>MF-B1010D</b>	<b>MF-B2010D</b>	<b>MF-B2017D</b>	<b>MF-B3017D</b>	<b>MF-B4020D</b>
		<b>176-866*<sup>1</sup></b>	<b>176-867*<sup>1</sup></b>	<b>176-868*<sup>1</sup></b>	<b>176-869*<sup>1</sup></b>	<b>176-870*<sup>1</sup></b>
Measuring accuracy* <sup>2</sup> (X and Y axes, when not loaded)		(2.2+0.02L) μm L: measuring length (mm)				
Minimum reading		High accuracy digital scale is mounted 1/0.5/0.1 μm switchable				
Observation	Optical tube	Monocular or binocular TV camera port for all models (observation/TV camera = 50/50)* <sup>4</sup> is provided as standard Reticle (broken cross-hair, line width: 5 μm) is provided as standard Various reticles are optional.				
	Incline angle	Angle of column: 25°				
	Observation image	Erect image				
	Observation method	Bright-field observation				
Eyepiece		10X (eyepiece field number: 24) is provided as standard 15X, 20X, Angle eyepieces 10X, Digital angle eyepieces 10X are optional.				
Objective		3X (working distance: 77mm) is provided as standard 1X, 5X, 20X, 50X, 100X, a pair of sliding nosepieces* <sup>5</sup> are optional.				
Z axis	Feed mechanism	Coaxial coarse and fine feed, handles on both sides (coarse: 30mm/rotation, fine: 0.2mm/rotation)				
	Max. workpiece height	150mm		220mm		
Stage	Measurement range	100×100mm	200×100mm	200×170mm	300×170mm	400×200mm
	Max. table loading	10kg		20kg		15kg
	Feed mechanism	Manual and Quick-release mechanism (zero-set switch is incorporated)				
	Swiveling angle	—		±5°		±3°
Internal light source	• LED Illumination Unit	White LED (transmitted/vertical reflected), no step modulated light				
	• Halogen Illumination Unit	12V50W halogen (transmitted/vertical reflected), no step modulated light				
External light source		Ring light and dual swan-neck light pipe are optional.				
Dimensions (WxDxH)	Main unit	562×730×667mm	624×745×667mm	632×892×782mm	682×892×782mm	757×907×782mm
	Control unit	—				
	Control unit for illumination unit	114×360×96mm				
Output		RS-232C output, USB output for Vision Unit				
Mass		Approx. 70kg	Approx. 75kg	Approx. 150kg	Approx. 160kg	Approx. 165kg
Max. power consumption* <sup>3</sup>		LED: 45W Halogen: 160W AC power input connector: 100-240V				

• Required optional accessory

\*1 To denote your AC power cable add the following suffixes to the order No.: A for UL/CSA, D for CEE, DC for CCC, E for BS, K for KC, C and No suffix are required for PSE.

\*2 Measured in conformance with JIS B 7153

\*3 Optional accessory is NOT target (Main unit and required optional illumination are target)

\*4 C mount is required separately.

\*5 A pair of Sliding Nosepieces are factory-installed option.

Main unit	Motor-Driven Z-axis Models			Motor-Driven X/Y/Z-axis Models			
	2017	3017	4020	2017	3017	4020	
With Z-axis scale	<b>MF-J2017D</b>	<b>MF-J3017D</b>	<b>MF-J4020D</b>	<b>MF-G2017D</b>	<b>MF-G3017D</b>	<b>MF-G4020D</b>	
	<b>176-891</b> *1	<b>176-892</b> *1	<b>176-893</b> *1	<b>176-781</b> *1	<b>176-782</b> *1	<b>176-783</b> *1	
Measuring accuracy*2 (X and Y axes, when not loaded)	(2.2+0.02L) μm L: measuring length (mm)						
Minimum reading	High accuracy digital scale is mounted 1/0.5/0.1 μm switchable						
Observation	Optical tube	Monocular or binocular TV camera port for all models (observation/TV camera = 50/50)*4 is provided as standard Reticle (broken cross-hair, line width: 5 μm) is provided as standard Various reticles are optional.					
	Incline angle	Angle of column: 25°					
	Observation image	Erect image					
	Observation method	Bright-field observation					
Eyepiece	10X (eyepiece field number: 24) is provided as standard 15X, 20X, Angle eyepieces 10X, Digital angle eyepieces 10X are optional.						
Objective	3X (working distance: 77mm) is provided as standard 1X, 5X, 20X, 50X, 100X, a pair of sliding nosepieces*5 are optional.						
Z axis	Feed mechanism	Motor drive (Maximum measuring speed: 20mm/s), lower limit setting (for collision avoidance with a workpiece)					
	Max. workpiece height	220mm					
Stage	Measurement range	200×170mm	300×170mm	400×200mm	200×170mm	300×170mm	400×200mm
	Max. table loading	20kg		15kg	20kg		15kg
	Feed mechanism	Manual and Quick-release mechanism (zero-set switch is incorporated)			Motor drive (Maximum measuring speed: 40mm/s)		
	Swiveling angle	±5°		±3°	±5°		±3°
Internal light source	• LED Illumination Unit	White LED (transmitted/vertical reflected), no step modulated light					
	• Halogen Illumination Unit	12V50W halogen (transmitted/vertical reflected), no step modulated light					
External light source	Ring light and dual swan-neck light pipe are optional.						
Dimensions (WxDxH)	Main unit	632×892×782mm	682×892×782mm	757×907×782mm	632×892×782mm	682×892×782mm	757×907×782mm
	Control unit	355×364×106.5mm					
	Control unit for illumination unit	114×360×96mm					
Output	RS-232C output, USB output for Vision Unit						
Mass	Approx. 160kg	Approx. 170kg	Approx. 175kg	Approx. 160kg	Approx. 170kg	Approx. 175kg	
Max. power consumption*3	LED: 275W Halogen: 390W AC power input connector: 100-240V						

• Required optional accessory

\*1 To denote your AC power cable add the following suffixes to the order No.: A for UL/CSA, D for CEE, DC for CCC, E for BS, K for KC, C and No suffix are required for PSE.

\*2 Measured in conformance with JIS B 7153

\*3 Optional accessory is NOT target (Main unit and required optional illumination are target)

\*4 C mo unt is required separately.

\*5 A pair of Sliding Nosepieces are factory-installed option.

# Specifications

## MF-U Series

Main unit		Manual				
		1010	2010	2017	3017	4020
BF (bright-field)	Without Z-axis scale	<b>MF-UA1010D</b> 176-871* <sup>1</sup>	<b>MF-UA2010D</b> 176-872* <sup>1</sup>	<b>MF-UA2017D</b> 176-873* <sup>1</sup>	<b>MF-UA3017D</b> 176-874* <sup>1</sup>	<b>MF-UA4020D</b> 176-875* <sup>1</sup>
	With Z-axis scale	<b>MF-UB1010D</b> 176-876* <sup>1</sup>	<b>MF-UB2010D</b> 176-877* <sup>1</sup>	<b>MF-UB2017D</b> 176-878* <sup>1</sup>	<b>MF-UB3017D</b> 176-879* <sup>1</sup>	<b>MF-UB4020D</b> 176-880* <sup>1</sup>
BD (bright-field/ dark-field)	Without Z-axis scale	<b>MF-UC1010D</b> 176-881* <sup>1</sup>	<b>MF-UC2010D</b> 176-882* <sup>1</sup>	<b>MF-UC2017D</b> 176-883* <sup>1</sup>	<b>MF-UC3017D</b> 176-884* <sup>1</sup>	<b>MF-UC4020D</b> 176-885* <sup>1</sup>
	With Z-axis scale	<b>MF-UD1010D</b> 176-886* <sup>1</sup>	<b>MF-UD2010D</b> 176-887* <sup>1</sup>	<b>MF-UD2017D</b> 176-888* <sup>1</sup>	<b>MF-UD3017D</b> 176-889* <sup>1</sup>	<b>MF-UD4020D</b> 176-890* <sup>1</sup>
Measuring accuracy* <sup>2</sup> (X and Y axes, when not loaded)		(2.2+0.02L) μm L: measuring length (mm)				
Minimum reading		High accuracy digital scale is mounted 1/0.5/0.1 μm switchable				
Observation	Optical tube	Tilting optical tube is provided as standard TV camera port for all models (observation/TV camera = 50/50)* <sup>4</sup> is provided as standard Reticle (broken cross-hair, line width: 5 μm) is provided as standard Various reticles are optional.				
	Incline angle	Angle of column: 0-30°				
	Observation image	Erect image				
	Observation method	Bright-field observation / dark-field observation (Only for MF-UC and MF-UD types) Simple polarization and differential interference are optional.				
Eyepiece		10X (eyepiece field number: 24) is provided as standard 15X, 20X are optional.				
Turret		Manual, motor drive				
Objective	Bright-field (BF)	M Plan Apo, G Plan Apo series				
	Bright-field/dark-field (BD)	BD Plan Apo series				
Z axis	Feed mechanism	Manual handles on both sides (coarse: 30mm/rotation, fine: 0.2mm/rotation)				
	Max. workpiece height	150mm		220mm		
Stage	Measurement range	100×100mm	200×100mm	200×170mm	300×170mm	400×200mm
	Max. table loading	10kg		20kg		15kg
	Feed mechanism	Manual and Quick-release mechanism (zero-set switch is incorporated)				
	Swiveling angle	—		±5°		±3°
Internal light source	• LED Illumination Unit	White LED (transmitted/vertical reflected), no step modulated light				
	• Halogen Illumination Unit	12V50W halogen (transmitted), no step modulated light 12V100W (vertical reflected), no step modulated light 15V150W (vertical reflected), no step modulated light are optional.				
External light source		Dual swan-neck light pipe are optional.				
Output		RS-232C output, USB output for Vision Unit				
Dimensions (W×D×H)	Main unit	562×730×667mm	624×745×667mm	632×892×782mm	682×892×782mm	757×907×782mm
	Control unit	—				
	Control unit for illumination unit	114×360×96mm				
Mass		Approx. 70kg	Approx. 75kg	Approx. 150kg	Approx. 160kg	Approx. 165kg
Max. power consumption* <sup>3</sup>		LED: 55W Halogen: 190W (vertical reflected 12V100W) and 240W (vertical reflected 15V150W) AC power input connector: 100-240V				

• Required optional accessory

\*1 To denote your AC power cable add the following suffixes to the order No.: A for UL/CSA, D for CEE, DC for CCC, E for BS, K for KC, C and No suffix are required for PSE.

\*2 Measured in conformance with JIS B 7153

\*3 Optional accessory is NOT target (Main unit and required optional illumination are target)

\*4 C mount is required separately.

Main unit		Motor-Driven Z-axis Models			Motor-Driven X/Y/Z-axis Models					
					Standard			Standard		
		2017	3017	4020	2017	3017	4020	2017	3017	4020
BF (bright-field)	With Z-axis scale	<b>MF-UJ2017D</b>	<b>MF-UJ3017D</b>	<b>MF-UJ4020D</b>	<b>MF-UG2017D</b>	<b>MF-UG3017D</b>	<b>MF-UG4020D</b>	<b>MF-UE2017D</b>	<b>MF-UE3017D</b>	<b>MF-UE4020D</b>
		176-792* <sup>1</sup>	176-895* <sup>1</sup>	176-896* <sup>1</sup>	176-784* <sup>1</sup>	176-785* <sup>1</sup>	176-786* <sup>1</sup>	176-790* <sup>1</sup>	176-791* <sup>1</sup>	176-792* <sup>1</sup>
BD (bright-field/dark-field)	With Z-axis scale	<b>MF-UK2017D</b>	<b>MF-UK3017D</b>	<b>MF-UK4020D</b>	<b>MF-UH2017D</b>	<b>MF-UH3017D</b>	<b>MF-UH4020D</b>	<b>MF-UF2017D</b>	<b>MF-UF3017D</b>	<b>MF-UF4020D</b>
		176-897* <sup>1</sup>	176-898*	176-899* <sup>1</sup>	176-787* <sup>1</sup>	176-788* <sup>1</sup>	176-789* <sup>1</sup>	176-793* <sup>1</sup>	176-794* <sup>1</sup>	176-795* <sup>1</sup>
Measuring accuracy* <sup>2</sup> (X and Y axes, when not loaded)		(2.2+0.02L) μm L: measuring length (mm)								
Minimum reading		High accuracy digital scale is mounted 1/0.5/0.1 μm switchable								
Observation	Optical tube	Monocular or binocular TV camera port for all models (observation/TV camera = 50/50)* <sup>4</sup> is provided as standard Reticle (broken cross-hair, line width: 5 μm) is provided as standard Various reticles are optional.								
	Incline angle	Angle of column: 0-30°								
	Observation image	Erect image								
	Observation method	Bright-field observation / dark-field observation (Only for MF-UC and MF-UD types) Simple polarization and differential interference are optional.								
Eyepiece		10X (eyepiece field number: 24) is provided as standard 15X, 20X are optional.								
Turret		Manual, motor drive* <sup>5</sup>								
Objective	Bright-field (BF)	M Plan Apo, G Plan Apo series								
	Bright-field/dark-field (BD)	BD Plan Apo series								
Z axis	Feed mechanism	Motor drive (Maximum measuring speed: 20mm/s), lower limit setting (for collision avoidance with a workpiece)								
	Max. workpiece height	220mm								
Stage	Measurement range	200×170mm	300×170mm	400×200mm	200×170mm	300×170mm	400×200mm	200×170mm	300×170mm	400×200mm
	Max. table loading	20kg		15kg	20kg		15kg	20kg		15kg
	Feed mechanism	Manual and Quick-release mechanism (zero-set switch is incorporated)			Motor drive (Maximum measuring speed: 40mm/s)					
	Swiveling angle	±5°		±3°	±5°		±3°	±5°		±3°
Internal light source	LED Illumination Unit	White LED (transmitted/vertical reflected), no step modulated light								
	Halogen Illumination Unit	12V50W halogen (transmitted), no step modulated light 12V100W (vertical reflected), no step modulated light 15V150W (vertical reflected), no step modulated light are optional.								
External light source		Dual swan-neck light pipe are optional.								
Output		RS-232C output, USB output for Vision Unit								
Dimensions (W×D×H)	Main unit	632×892×782mm	682×892×782mm	757×907×782mm	632×892×782mm	682×892×782mm	757×907×782mm	608×790×846mm	658×790×846mm	733×790×846mm
	Control unit	355×364×106.5mm								
	Control unit for illumination unit	114×360×96mm								
Mass		Approx. 160kg	Approx. 170kg	Approx. 175kg	Approx. 160kg	Approx. 170kg	Approx. 175kg	Approx. 165kg	Approx. 175kg	Approx. 180kg
Max. power consumption* <sup>3</sup>		LED: 285W Halogen: 420W (vertical reflected 12V100W) and (vertical reflected 15V150W) AC power input connector: 100-240V								

• Required optional accessory

\*1 To denote your AC power cable add the following suffixes to the order No.: A for UL/CSA, D for CEE, DC for CCC, E for BS, K for KC, C and No suffix are required for PSE.

\*2 Measured in conformance with JIS B 7153

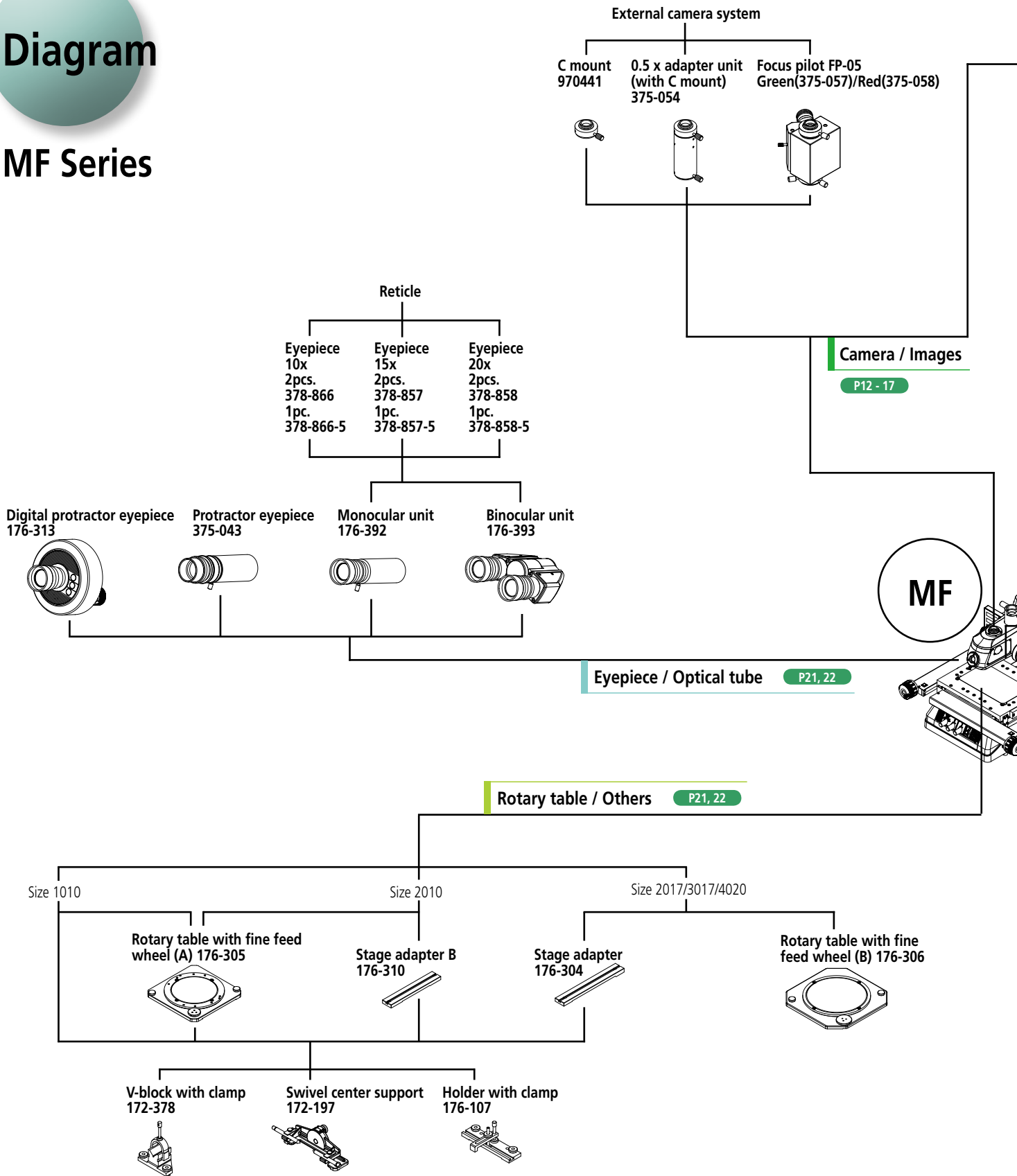
\*3 Optional accessory is NOT target (Main unit, required optional illumination, and control unit are target)

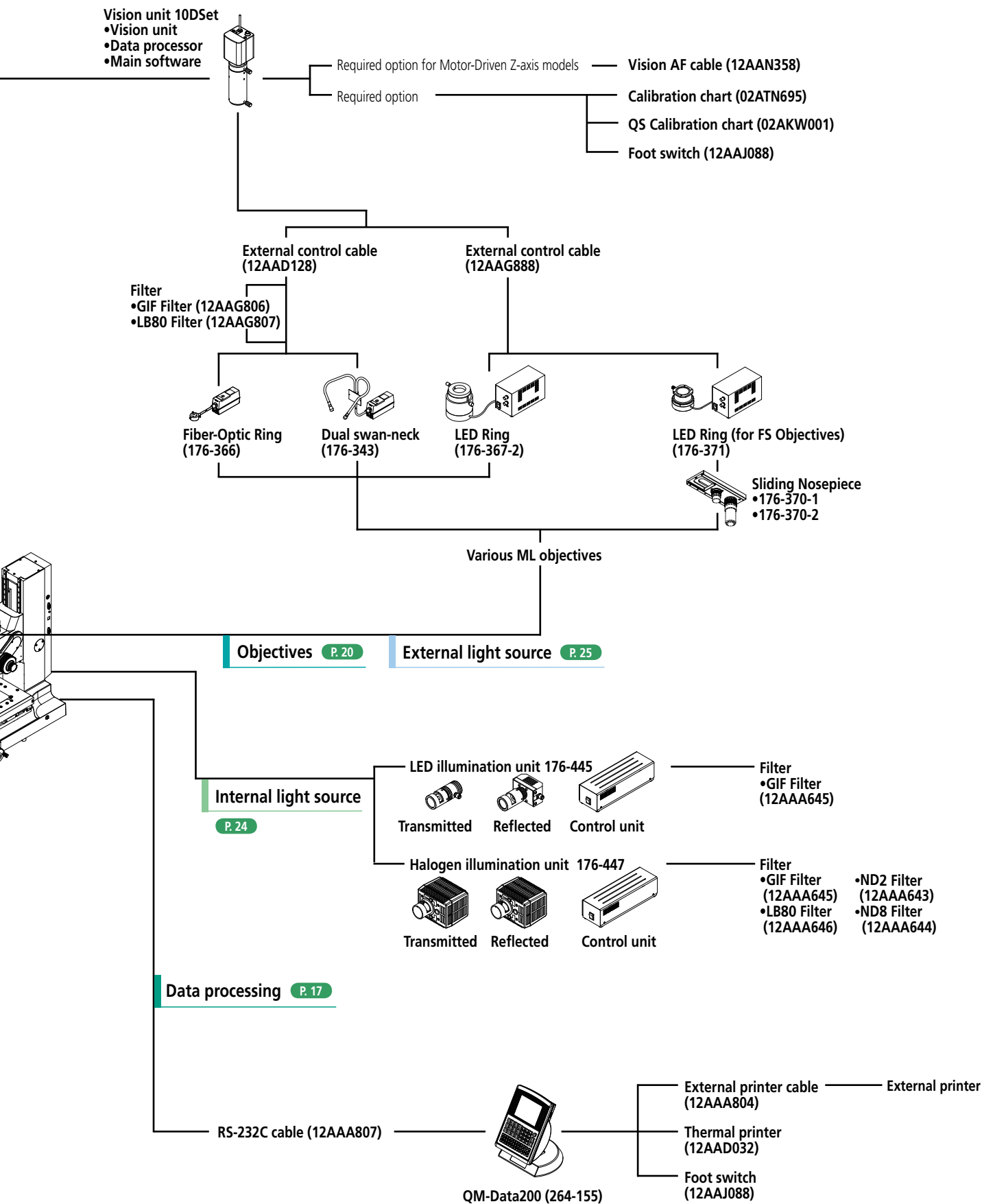
\*4 C mount is required separately.

\*5 RS-232C cable (No. 12AAA807) is required when you select a motorized LAF model and a power turret .

# Diagram

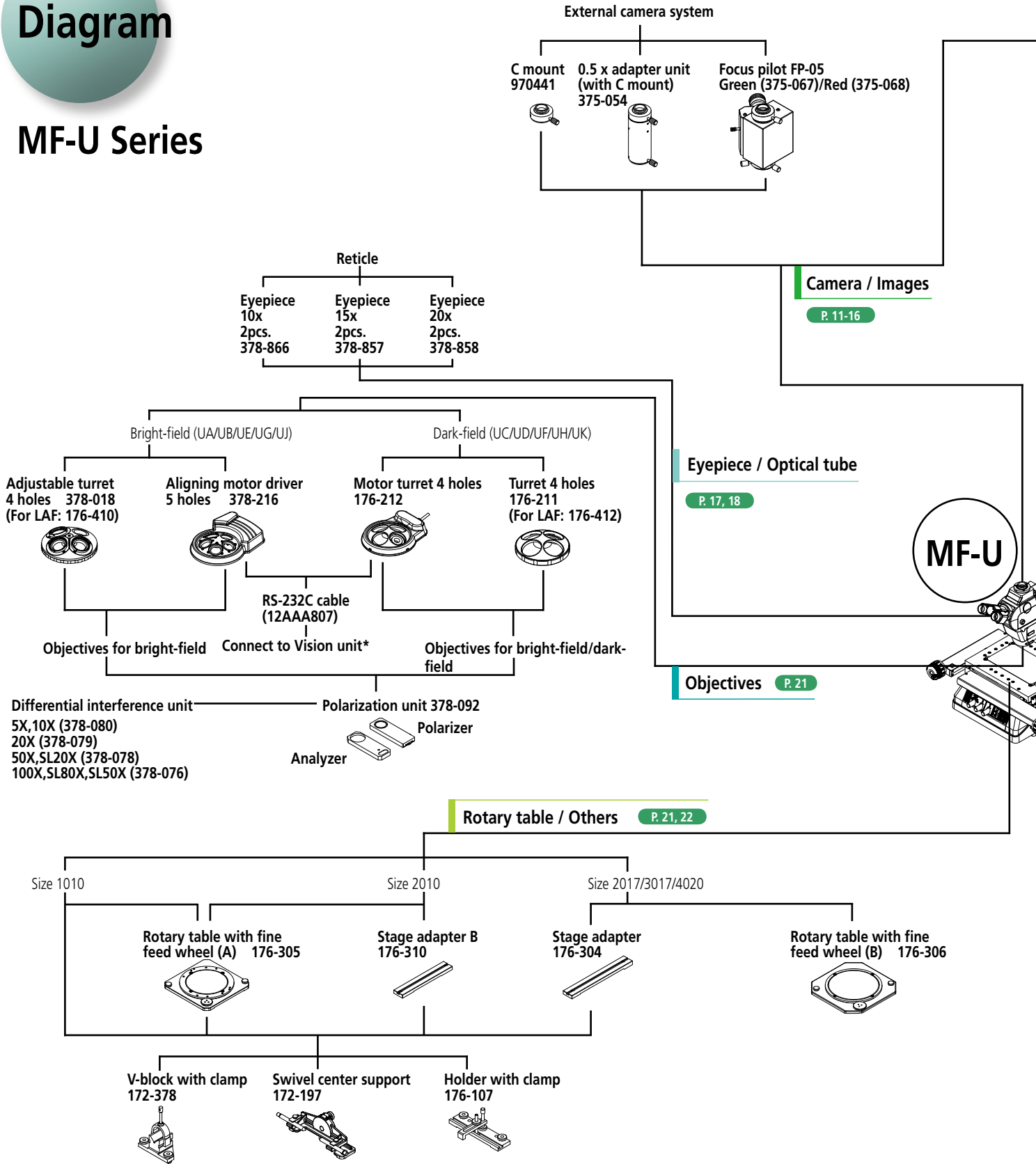
## MF Series



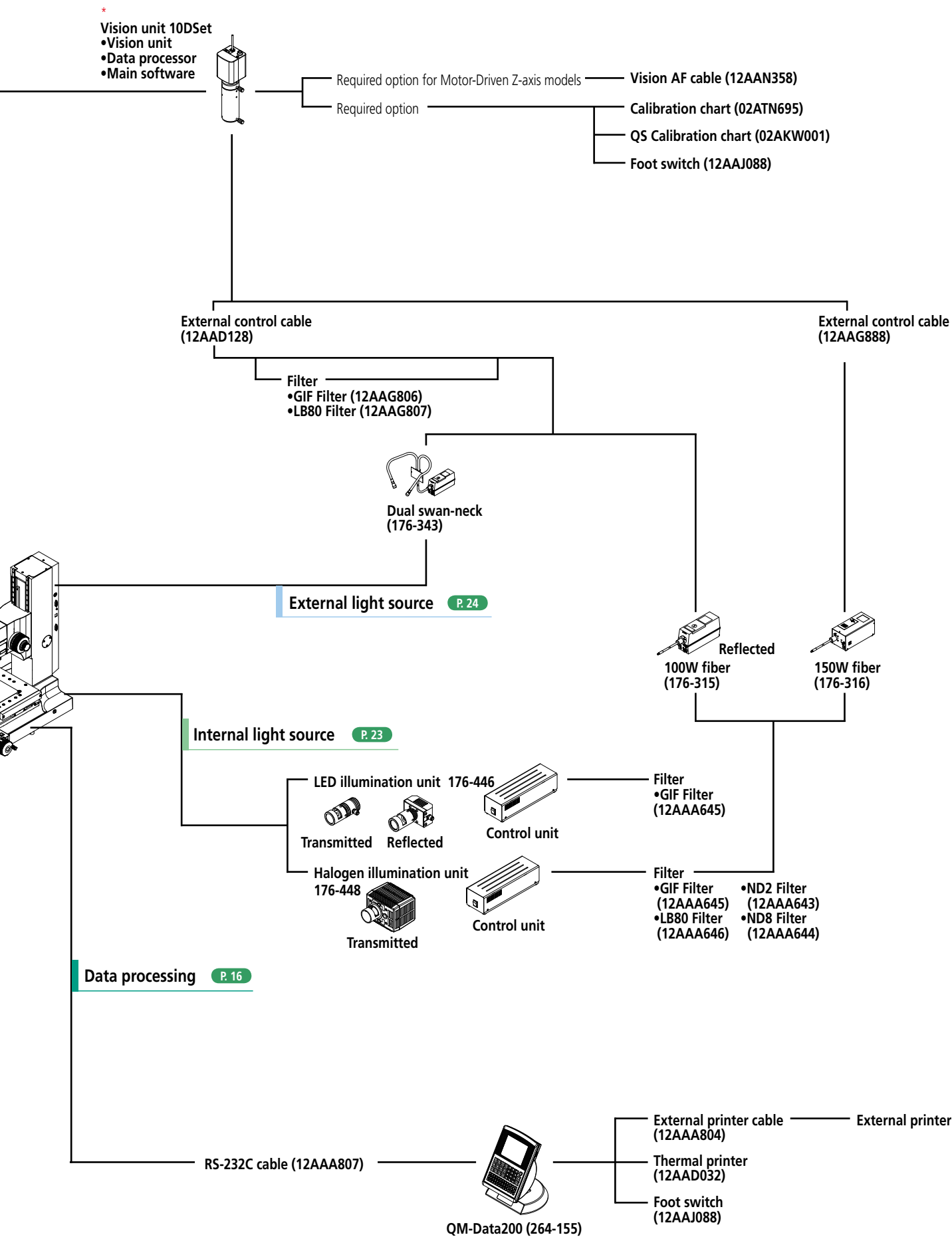


# Diagram

## MF-U Series







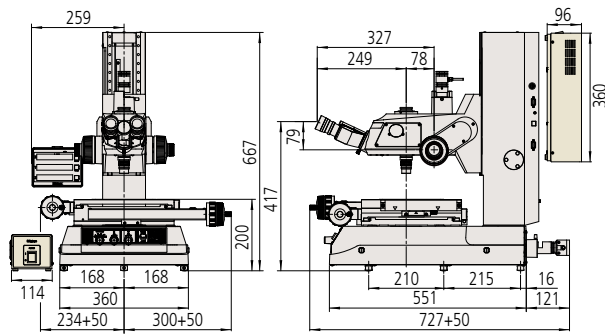
# Dimensions

## MF Series

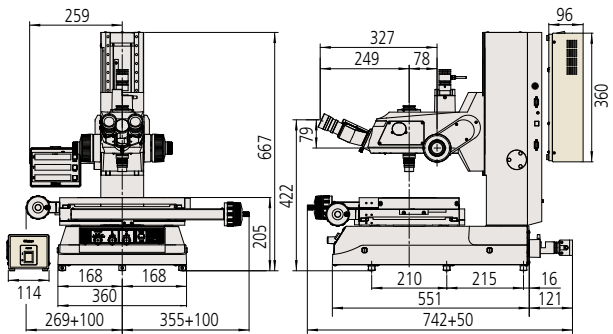
Manual Models \*Common dimensions for MF-A and MF-B models.

Unit: mm

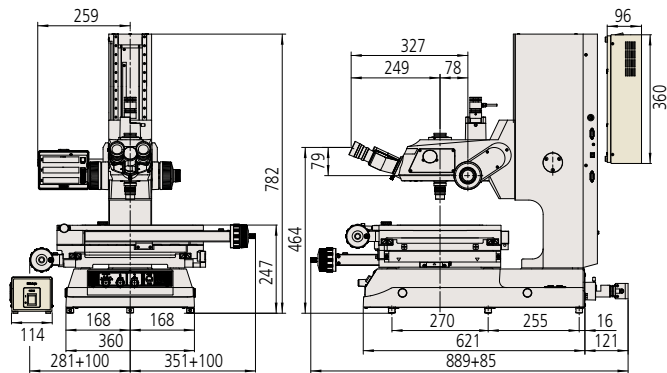
**MF-B1010D**



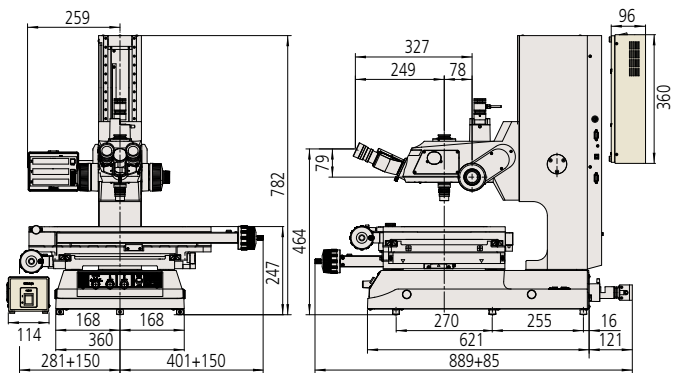
**MF-B2010D**



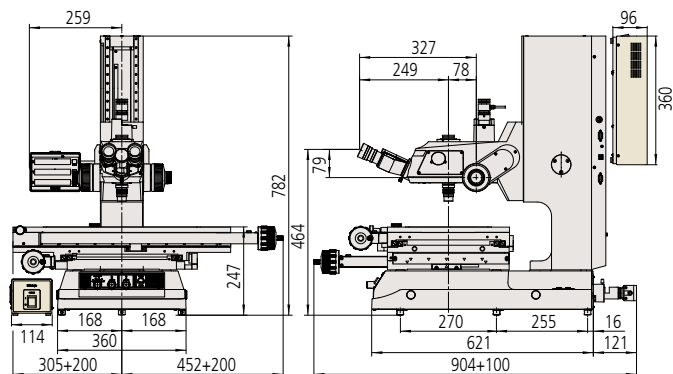
**MF-B2017D**



**MF-B3017D**



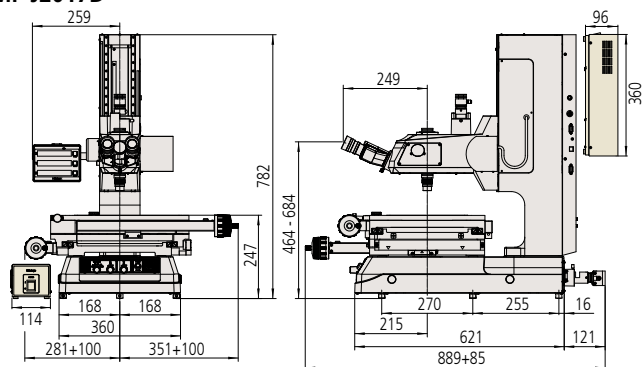
**MF-B4020D**



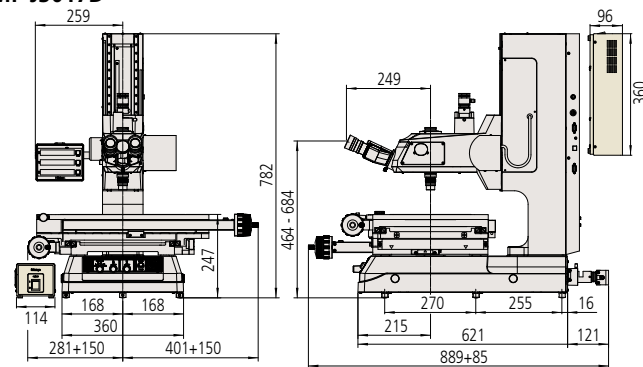
## Motor-Driven Z-axis Models

Unit: mm

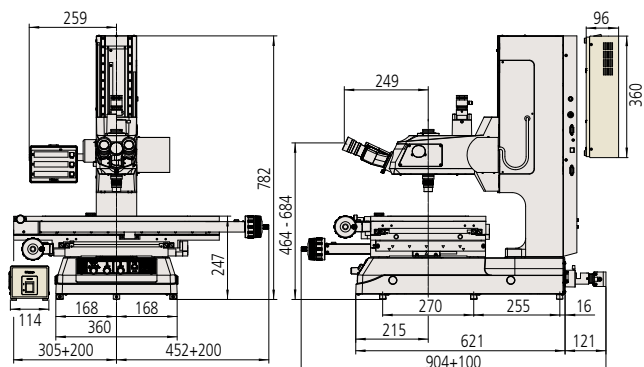
MF-J2017D



MF-J3017D



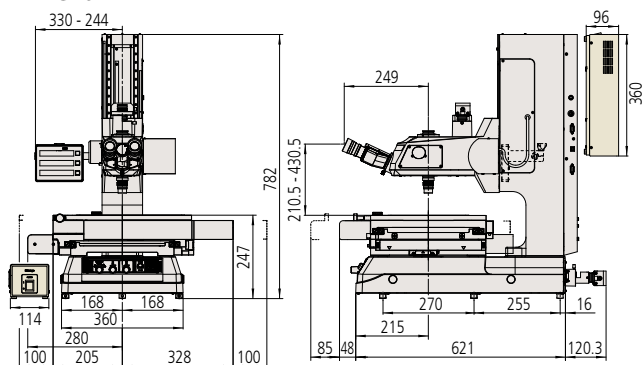
MF-J4020D



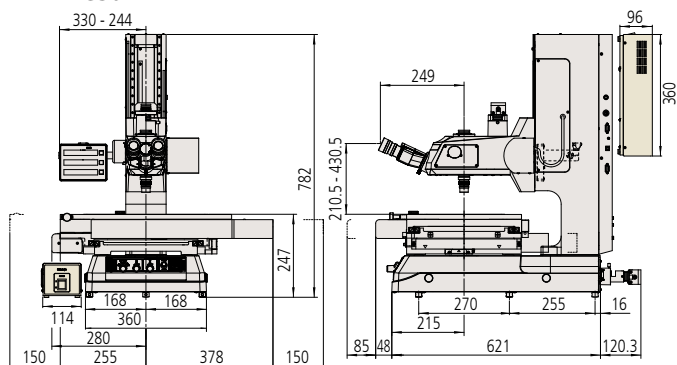
## Motor-Driven X/Y/Z-axis Models

Unit: mm

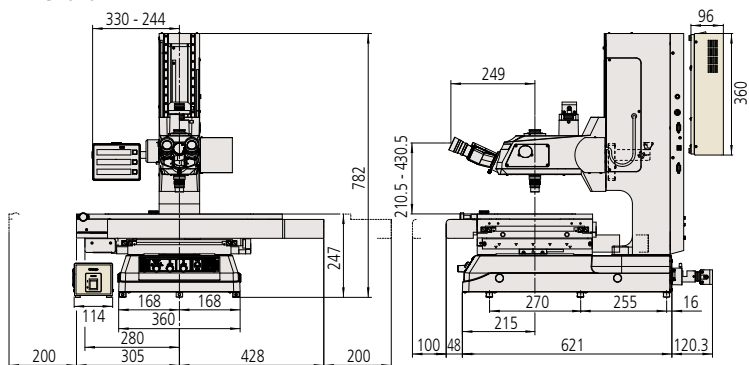
MF-G2017D



MF-G3017D



MF-G4020D



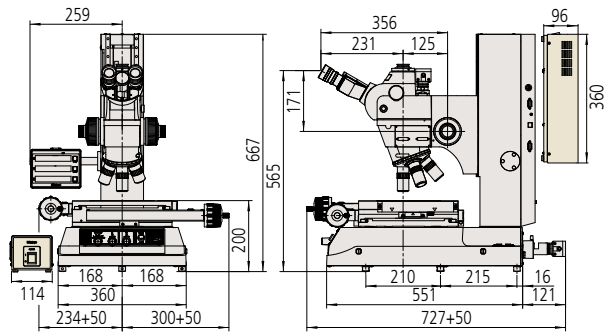
# Dimensions

## MF U Series

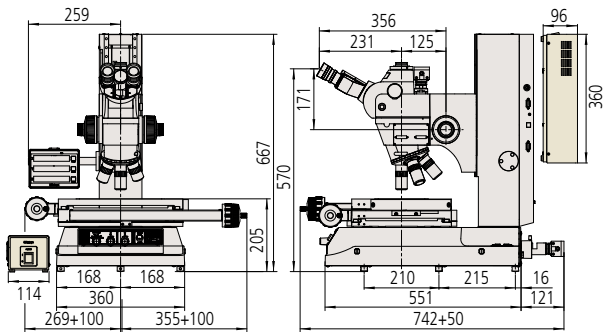
Manual Models \*Common dimensions for MF-UA, MF-UB, MF-UC, and MF-UD models.

Unit: mm

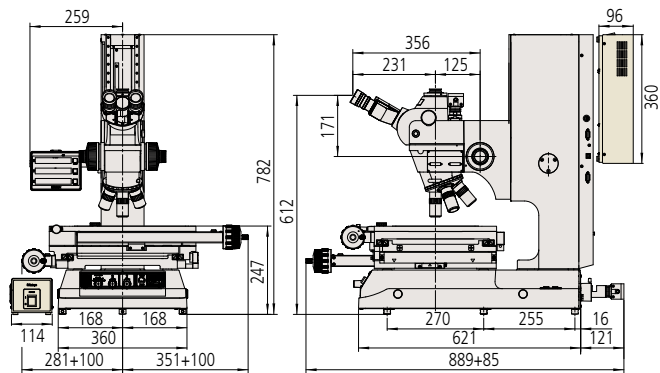
MF-UB1010D



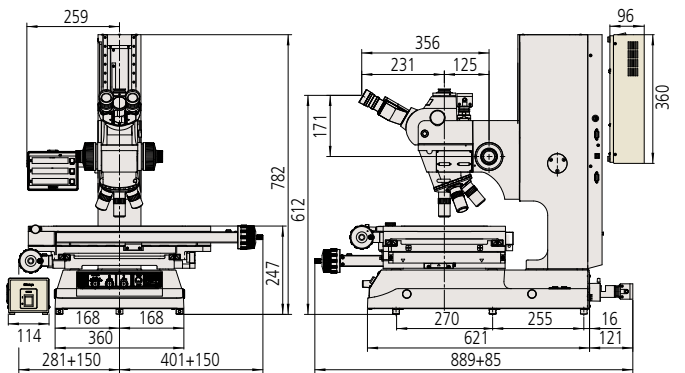
MF-UB2010D



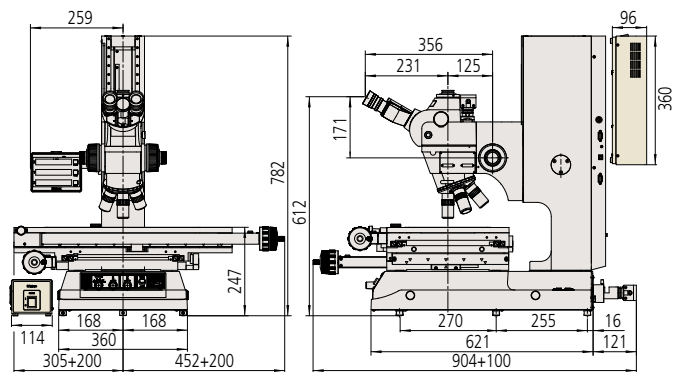
MF-UB2017D



MF-UB3017D



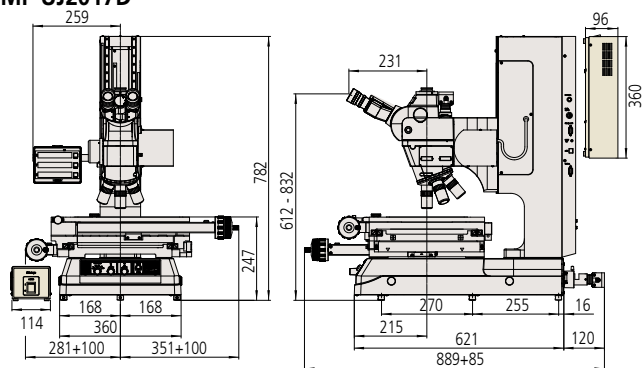
MF-UB4020D



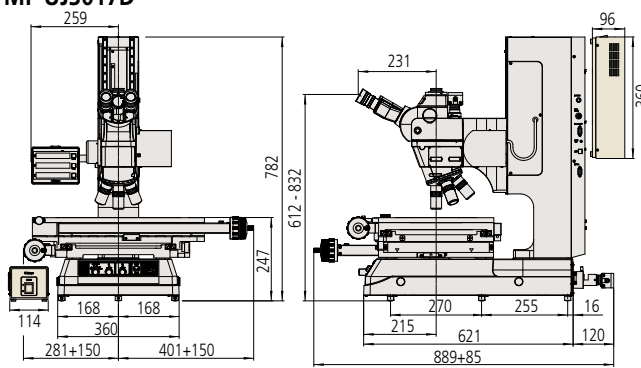
**Motor-Driven Z-axis Models** \*Common dimensions for MF-UJ and MF-UK models.

Unit: mm

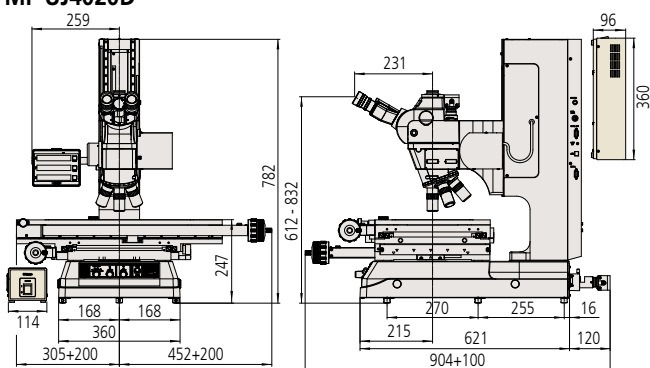
**MF-UJ2017D**



**MF-UJ3017D**



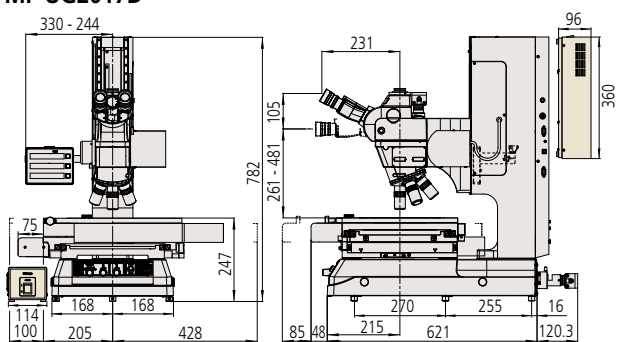
**MF-UJ4020D**



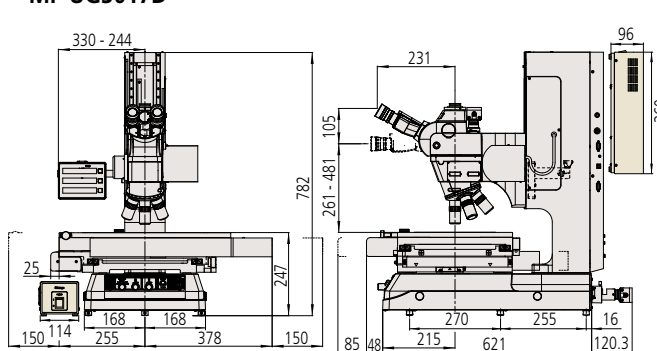
**Motor-Driven X/Y/Z-axis Models (standard models)** \*Common dimensions for MF-UG and MF-UH models.

Unit: mm

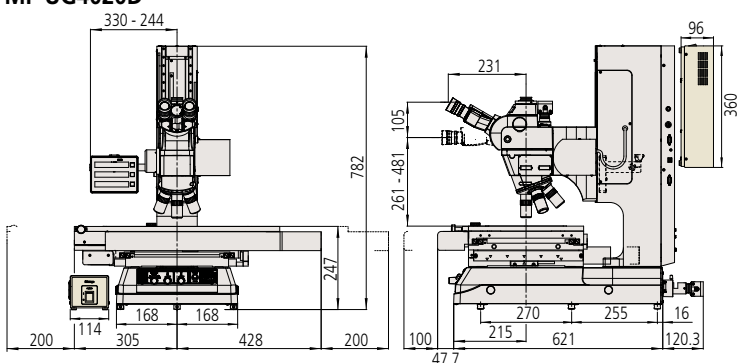
**MF-UG2017D**



**MF-UG3017D**



**MF-UG4020D**



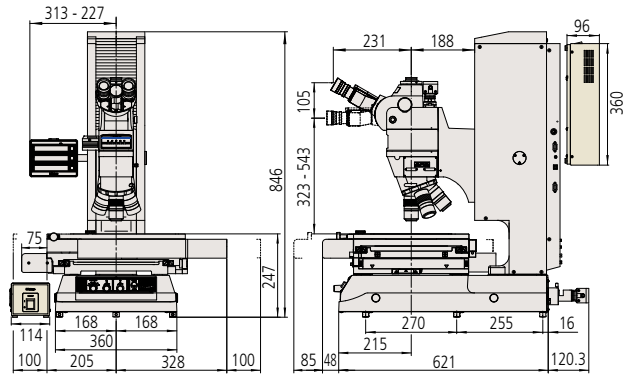
# Dimensions

## MF-U Series

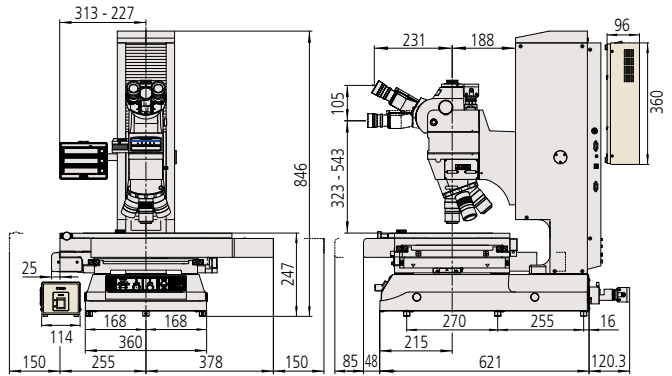
Motor-Driven X/Y/Z-axis Models (LAF models) \*Common dimensions for MF-UA, MF-UB, MF-UC, and MF-UD models.

Unit: mm

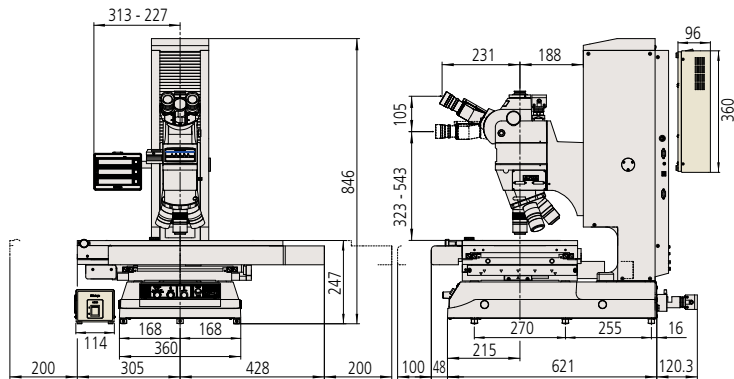
MF-UF2017D



MF-UF3017D



MF-UF4020D

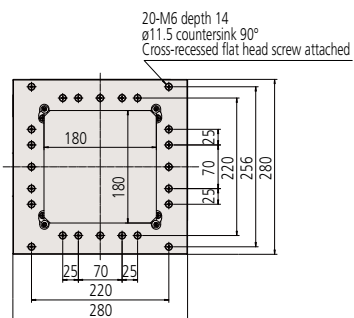


# Dimensions

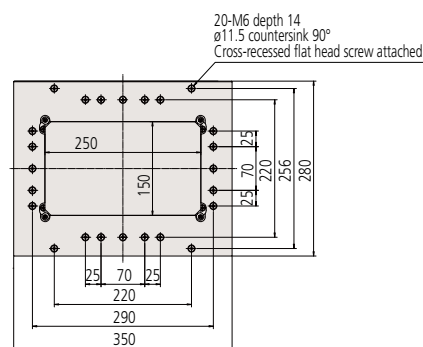
## Stage Top View \*Common dimensions for all models.

Unit: mm

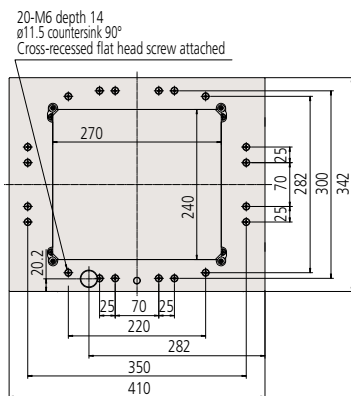
**Size 1010**  
100x100mm



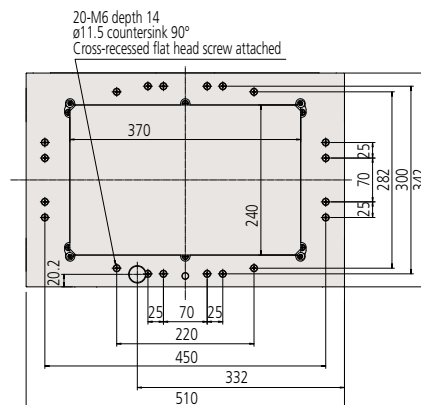
**Size 2010**  
200x100mm



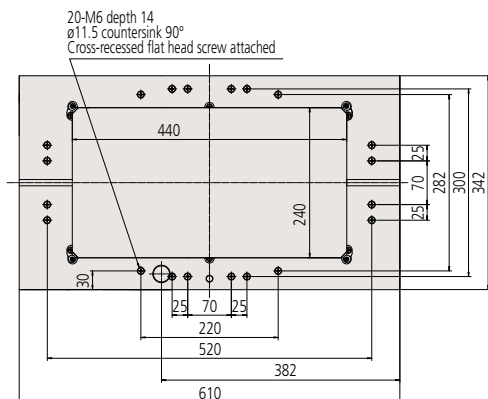
**Size 2017**  
200x170mm



**Size 3017**  
300x170mm



**Size 4020**  
400x200mm





### Whatever your challenges are, Mitutoyo supports you from start to finish.

Mitutoyo is not only a manufacturer of top quality measuring products but one that also offers qualified support for the lifetime of the equipment, backed up by comprehensive services that ensure your staff can make the very best use of the investment.

Apart from the basics of calibration and repair, Mitutoyo offers product and metrology training, as well as IT support for the sophisticated software used in modern measuring technology. We can also design, build, test and deliver bespoke measuring solutions and even, if deemed cost-effective, take your critical measurement challenges in-house on a sub-contract basis.



Find additional product literature and our product catalogue

<http://www.mitutoyo.co.jp/global.html>

**Our products are classified as regulated items under Japanese Foreign Exchange and Foreign Trade Law. Please consult us in advance if you wish to export our products to any other country. If the purchased product is exported, even though it is not a regulated item (Catch-All controls item), the customer service available for that product may be affected. If you have any questions, please consult your local Mitutoyo sales office.**

Note: Product illustrations are without obligation. Product descriptions, in particular any and all technical specifications, are only binding when explicitly agreed upon. MITUTOYO and MICAT are either registered trademarks or trademarks of Mitutoyo Corp. in Japan and/or other countries/regions. Other product, company and brand names mentioned herein are for identification purposes only and may be the trademarks of their respective holders.

# Mitutoyo

### Mitutoyo Corporation

20-1, Sakado 1-Chome,  
Takatsu-ku, Kawasaki-shi,  
Kanagawa 213-8533, Japan  
T +81 (0) 44 813-8230  
F +81 (0) 44 813-8231  
<http://www.mitutoyo.co.jp>