



Series FS06 force sensors measure tension and compression forces. Designed to accommodate bulkier grips and fixtures, they are compatible with Series F test frame models up to 500 lbF / 2.2 kN.

With Plug & Test® technology, all configuration and calibration data is saved within the sensor, allowing it to be calibrated on the test frame or off-site with a Mark-10 indicator (optional adapter AC1083 required).

Ranges are available from 50 to 500 lbF [250 N to 2.5 kN].

Compatible with Models F105, F305, F505, and F505H.



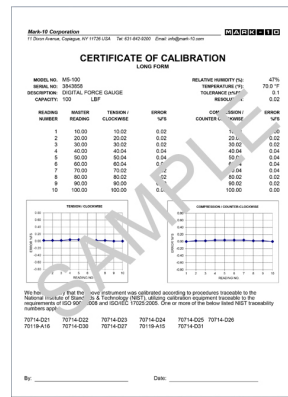
Specifications

Accuracy:	± 0.15% of full scale + indicator or test frame
Safe Overload:	150% of full scale
Weight:	FS06-50 - FS06-200: 1.7 lb [0.8 kg] FS06-300 - FS06-500: 1.9 lb [0.9 kg]

Features

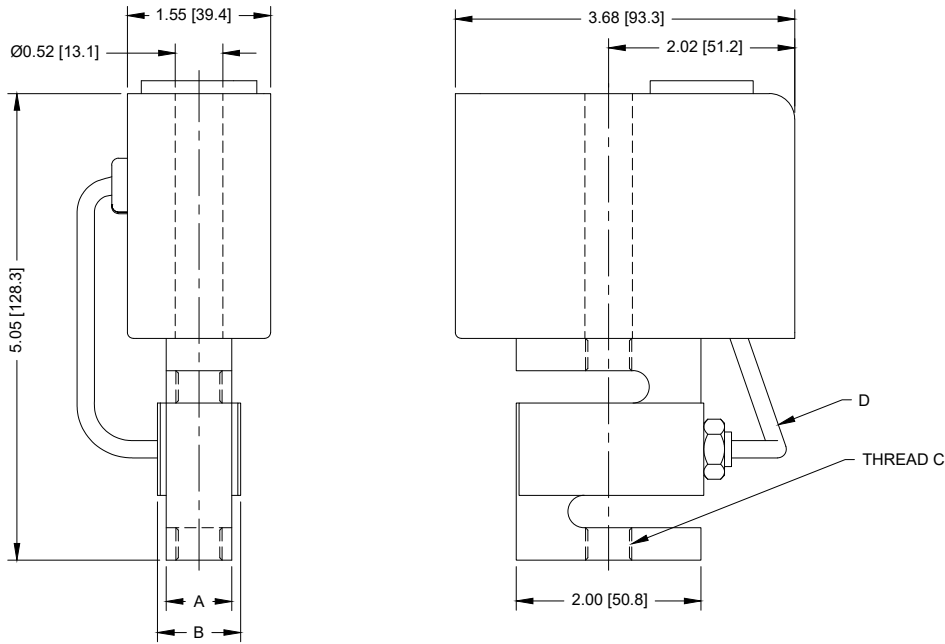


Series FS06 sensors are suitable for bulkier grips and fixtures, such as the G1095 bend fixture and eye end adapter shown here.



Included certificate of calibration contains 10 data points in each measuring direction.

Dimensions in [mm]



Model No.	A	B	THREAD C	D
FS06-50				
FS06-100	0.46 [11.7]	0.71 [18.0]	1/4-28 UNF	6 [152.4]
FS06-200				
FS06-300	0.9 [22.6]	1.1 [27.9]	1/2-20 UNF	
FS06-500				

In The Box

Series FS06 are shipped as shown below:



Capacity x Resolution

Model No.	lbF	ozF	gF	kgF	N	kN	mN
FS06-50	50 x 0.02	800 x 0.5	25000 x 10	25 x 0.01	250 x 0.1	-	-
FS06-100	100 x 0.05	1600 x 1	50000 x 20	50 x 0.02	500 x 0.2	-	-
FS06-200	200 x 0.1	3200 x 2	-	100 x 0.05	1000 x 0.5	1 x 0.0005	-
FS06-300	300 x 0.1	4800 x 2	-	150 x 0.05	1500 x 0.5	1.5 x 0.0005	-
FS06-500	500 x 0.2	8000 x 5	-	250 x 0.1	2500 x 1	2.5 x 0.001	-