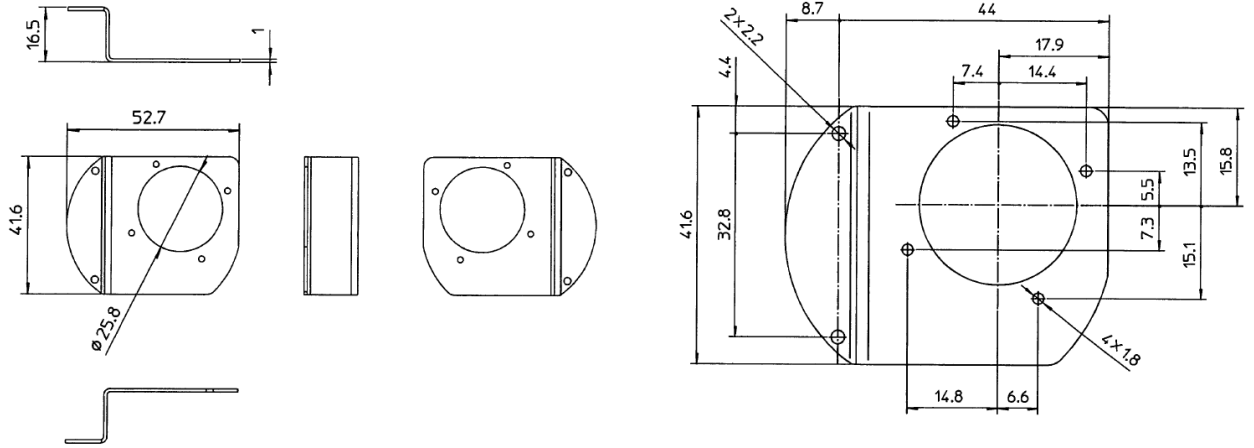


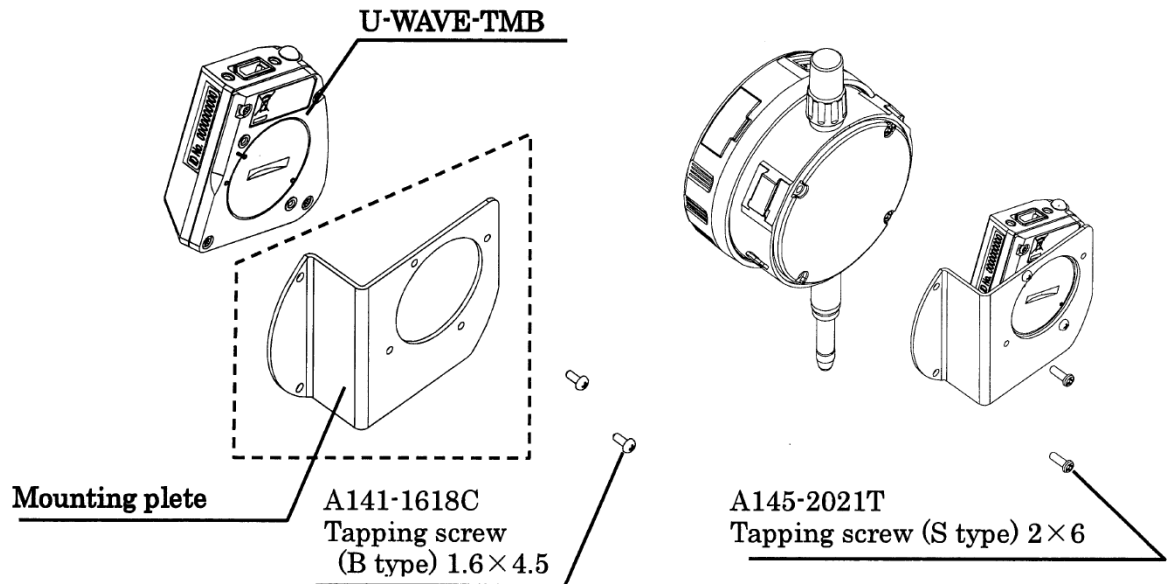
1. Product overview

- a. The bracket for indicators is a mounting plate that can be attached to the back cover of ID-C, ID-S, etc. and U-WAVE-TM/TMB can be connected

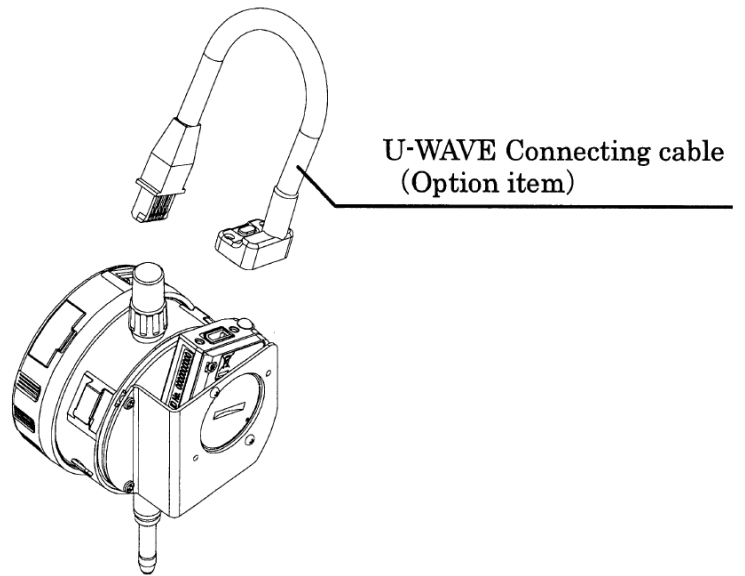
2. Product appearance and dimensions (Unit: mm)



3. Parts composition



※ Image diagram

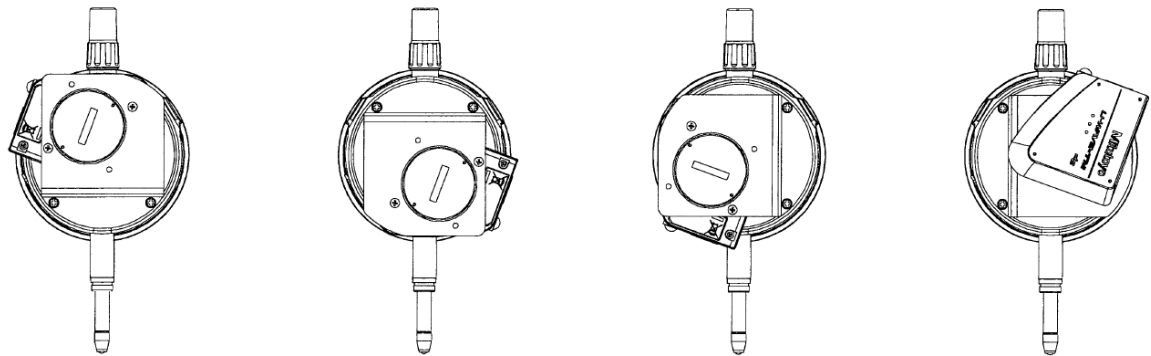


a. Note

- i. Please take care with the U-WAVE-TM/TMB mounting holes. Do not tighten the screws strongly or repeatedly attach and detach
- ii. Tighten the U-WAVE-TM/TMB mounting holes with a torque of about 5N·cm
- iii. Attach the mounting plate to the measuring instrument with a torque of approximately 20N·cm

4. Feature

- a. The mounting plate for indicator can be mounted as shown in the image below
- b. The mounting method of the mounting plate can be selected according to the method used by the customer



i. Note

1. The connection cable may be broken or damaged if it is overloaded. When using the mounting plate, rotate the indicator display panel to a position where the connection cable is not loaded

5. Code No. 02AZF670

6. Models that can be installed

Code No.	Model No.
543-781B	ID-S1012XB
543-782B	ID-S1012MXB
543-783B	ID-S1012EXB
543-790B	ID-S112XB
543-791B	ID-S112MXB
543-792B	ID-S112EXB
543-793B	ID-S112TXB
543-794B	ID-S112PXB
543-795B	ID-S112PMXB
543-796B	ID-S112PEXB
543-505B	ID-S1012SB
543-506B	ID-S1012MSB
543-507B	ID-S1012ESB
543-500B	ID-S112SB
543-501B	ID-S112MSB
543-502B	ID-S112ESB